



Wire Protection & Management > Cable Glands > Washer Gaskets MBR



Cable Gland Product Type: **Washer & Gasket**

Primary Product Material: **NBR**

Primary Product Color: **Black**

Outer Thread Size: **PG21**

Sealable: **No**

[All Washer Gaskets MBR \(27\)](#)

## Features

### Packaging Features

Packaging Method	Bag
------------------	-----

### Product Type Features

Cable Gland Product Type	Washer & Gasket
Sealable	No

### Body Features

Primary Product Material	NBR
Primary Product Color	Black

### Dimensions

Outer Thread Size	PG21
-------------------	------

### Other

EU RoHS Compliance	Compliant
EU ELV Compliance	Compliant

## Product Compliance

[For compliance documentation, visit the product page on TE.com>](#)

EU RoHS Directive 2011/65/EU	Compliant
EU ELV Directive 2000/53/EC	Compliant
China RoHS 2 Directive MIIT Order No 32, 2016	No Restricted Materials Above Threshold
EU REACH Regulation (EC) No. 1907/2006	Current ECHA Candidate List: JUNE 2024 (241) Candidate List Declared Against: JAN 2023 (233) Does not contain REACH SVHC
Halogen Content	Not Yet Reviewed for halogen content
Solder Process Capability	Not reviewed for solder process capability

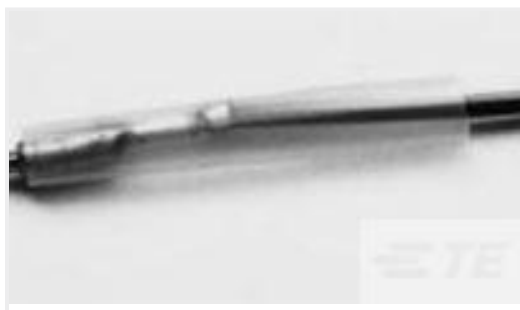
### Product Compliance Disclaimer

This information is provided based on reasonable inquiry of our suppliers and represents our current actual knowledge based on the information they provided. This information is subject to change. The part numbers that TE has identified as EU RoHS compliant have a maximum concentration of 0.1% by weight in homogenous materials for lead, hexavalent chromium, mercury, PBB, PBDE, DBP, BBP, DEHP, DIBP, and 0.01% for cadmium, or qualify for an exemption to these limits as defined in the Annexes of Directive 2011/65/EU (RoHS2). Finished electrical and electronic equipment products will be CE marked as required by Directive 2011/65/EU. Components may not be CE marked. Additionally, the part numbers that TE has identified as EU ELV compliant have a maximum concentration of 0.1% by weight in homogenous materials for lead, hexavalent chromium, and mercury, and 0.01% for cadmium, or qualify for an exemption to these limits as defined in the Annexes of Directive 2000/53/EC (ELV). Regarding the REACH Regulation, the information TE provides on SVHC in articles for this part number is based on the latest European Chemicals Agency (ECHA) 'Guidance on requirements for substances in articles' posted at this URL: <https://echa.europa.eu/guidance-documents/guidance-on-reach>

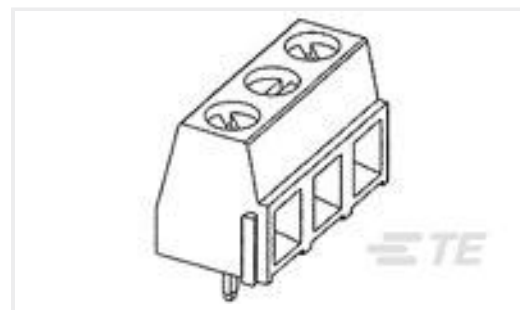
## Compatible Parts



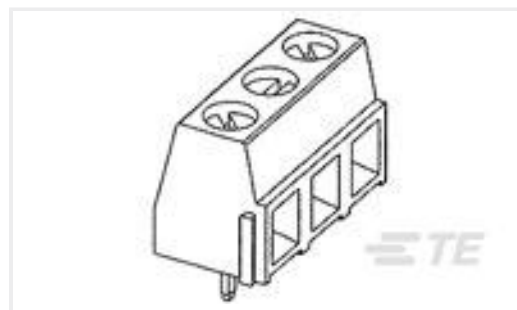
## Customers Also Bought



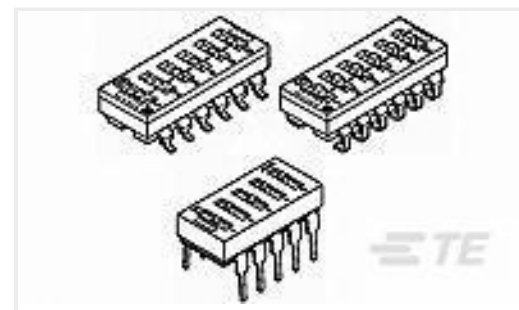
TE Part #CV3299-000  
RW-175-3/64-X-STK



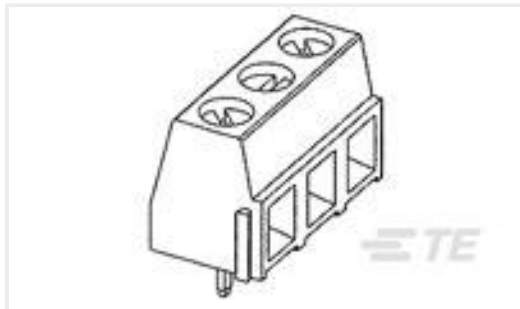
TE Part #282836-3  
TERMI-BLOK PCB MOUNT 90 3P.



TE Part #282836-2  
TERMI-BLOK PCB MOUNT 90 2P.



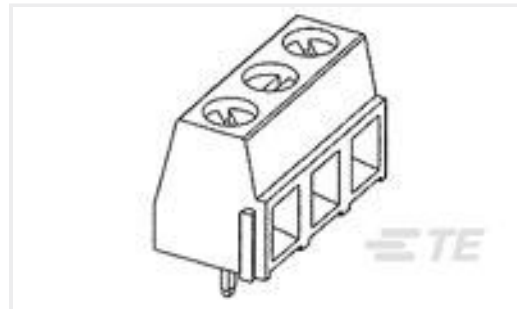
TE Part #1825360-5  
ADE08A04=8 POS DIP SWITCH



TE Part #282836-6  
TERMI-BLOK PCB MOUNT 90 6P.



TE Part #4-1625886-4  
1W SM M/OX 5% 82R



TE Part #282836-4  
TERMI-BLOK PCB MOUNT 90 4P.



TE Part #1SNG609014R0000  
ENBR-WG-M32-BL-A

## Documents

### Product Drawings

[ENBR-WG-PG21-BL-A](#)

English

### CAD Files

[3D PDF](#)

3D

Customer View Model

[ENG\\_CVM\\_CVM\\_1SNG609050R0000\\_A.2d\\_dxf.zip](#)

English

Customer View Model

[ENG\\_CVM\\_CVM\\_1SNG609050R0000\\_A.3d\\_igs.zip](#)

English

Customer View Model

[ENG\\_CVM\\_CVM\\_1SNG609050R0000\\_A.3d\\_stp.zip](#)

English

By downloading the CAD file I accept and agree to the [Terms and Conditions](#) of use.

### Datasheets & Catalog Pages

[Catalog - ENTRELEC Cable Glands](#)

English