



Terminals & Splices > Splices



Splice Type: Closed End Splice

Wire Size: .5 – 2.5 mm²

Sealable: No

Splice Capacity: 6

Features

Electrical Characteristics

Operating Voltage	600 VAC
Current Rating	24 A

Packaging Features

Packaging Quantity	100
Packaging Method	Bag

Industry Standards

Compatible With Agency/Standards Products	CSA
Compatible With Approved Standards Products	IEC 60988-2-2, UL 486C
Government Qualified Splice	No

Body Features

Product Weight	2.4 g
Splice Features	Standard
Primary Product Color	Purple

Dimensions

Product Width	7.5 mm
---------------	--------

Wire Size	.5 – 2.5 mm ²
-----------	--------------------------

Product Length	28.2 mm
----------------	---------

Product Type Features

Splice Type	Closed End Splice
-------------	-------------------

Sealable	No
----------	----

Compatible With Discrete Wire Type	Solid
------------------------------------	-------

Wire Insulation Support Retention Type	Non-Insulation Support
--	------------------------

Configuration Features

Splice Capacity	6
-----------------	---

Compatible With Wire & Cable Type	Discrete Wire
-----------------------------------	---------------

Mechanical Attachment

Wire Insulation Support	Without
-------------------------	---------

Usage Conditions

Insulation Option	Fully Insulated
-------------------	-----------------

Other

EU RoHS Compliance	Compliant
--------------------	-----------

EU ELV Compliance	Compliant
-------------------	-----------

Product Compliance

[For compliance documentation, visit the product page on TE.com>](#)

EU RoHS Directive 2011/65/EU	Compliant
------------------------------	-----------

EU ELV Directive 2000/53/EC	Compliant
-----------------------------	-----------

China RoHS 2 Directive MIIT Order No 32, 2016	No Restricted Materials Above Threshold
---	---

EU REACH Regulation (EC) No. 1907/2006	Current ECHA Candidate List: JUNE 2024 (241) Candidate List Declared Against: JUNE 2023 (235) Does not contain REACH SVHC
--	---

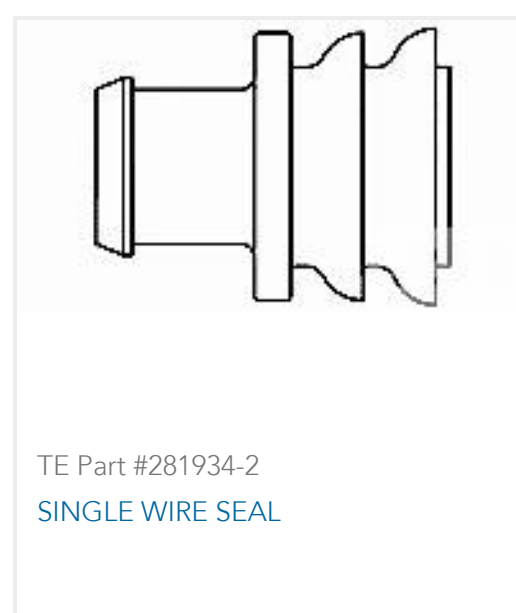
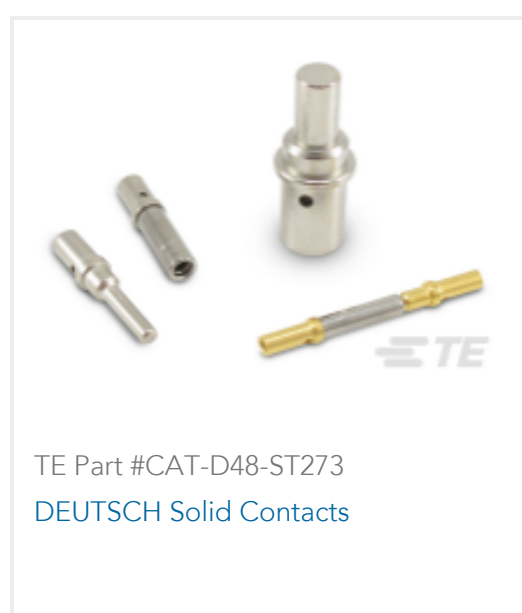
Halogen Content	Low Halogen - Br, Cl, F, I < 900 ppm per homogenous material. Also BFR/CFR/PVC Free
-----------------	---

Solder Process Capability	Not reviewed for solder process capability
---------------------------	--

Product Compliance Disclaimer

This information is provided based on reasonable inquiry of our suppliers and represents our current actual knowledge based on the information they provided. This information is subject to change. The part numbers that TE has identified as EU RoHS compliant have a maximum concentration of 0.1% by weight in homogenous materials for lead, hexavalent chromium, mercury, PBB, PBDE, DBP, BBP, DEHP, DIBP, and 0.01% for cadmium, or qualify for an exemption to these limits as defined in the Annexes of Directive 2011/65/EU (RoHS2). Finished electrical and electronic equipment products will be CE marked as required by Directive 2011/65/EU. Components may not be CE marked. Additionally, the part numbers that TE has identified as EU ELV compliant have a maximum concentration of 0.1% by weight in homogenous materials for lead, hexavalent chromium, and mercury, and 0.01% for cadmium, or qualify for an exemption to these limits as defined in the Annexes of Directive 2000/53/EC (ELV). Regarding the REACH Regulation, the information TE provides on SVHC in articles for this part number is based on the latest European Chemicals Agency (ECHA) 'Guidance on requirements for substances in articles' posted at this URL: <https://echa.europa.eu/guidance-documents/guidance-on-reach>

Customers Also Bought



Documents

Product Drawings

ISP025-6

English

CAD Files

3D PDF

3D

Customer View Model

[ENG_CVM_CVM_1SET211005R0000_A3.2d_dxf.zip](#)

English

Customer View Model

[ENG_CVM_CVM_1SET211005R0000_A3.3d_igs.zip](#)

English

Customer View Model

[ENG_CVM_CVM_1SET211005R0000_A3.3d_stp.zip](#)



English

By downloading the CAD file I accept and agree to the [Terms and Conditions](#) of use.

Datasheets & Catalog Pages

[Infographic - entrelec ews-linecard](#)

English

[Datasheet - ENTRELEC Push-In Connectors](#)

English

[Datasheet - ENTRELEC Push-In Connectors](#)

French

[Datasheet - ENTRELEC Push-In Connectors](#)

[Essential Entrelec Terminal Blocks](#)

French

[Essential Entrelec Terminal Blocks](#)

English

[Essential Entrelec Terminal Blocks](#)

Japanese

Agency Approvals

[UL](#)

English