



Product Compliance

[For compliance documentation, visit the product page on TE.com>](#)

EU RoHS Directive 2011/65/EU	Compliant with Exemptions
EU ELV Directive 2000/53/EC	Compliant
China RoHS 2 Directive MIIT Order No 32, 2016	Restricted Materials Above Threshold
EU REACH Regulation (EC) No. 1907/2006	Current ECHA Candidate List: JUNE 2024 (241) Candidate List Declared Against: JUNE 2023 (235) Does not contain REACH SVHC
Halogen Content	Not Low Halogen - contains Br or Cl > 900 ppm.
Solder Process Capability	Hand solderable with lead free solder

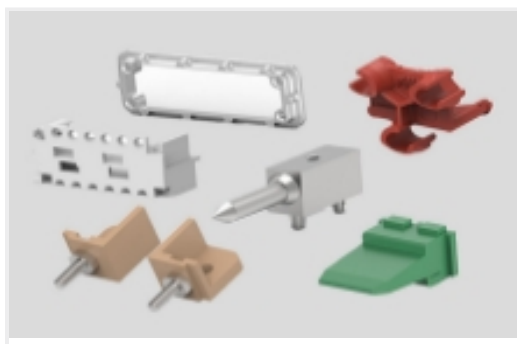
Product Compliance Disclaimer

This information is provided based on reasonable inquiry of our suppliers and represents our current actual knowledge based on the information they provided. This information is subject to change. The part numbers that TE has identified as EU RoHS compliant have a maximum concentration of 0.1% by weight in homogenous materials for lead, hexavalent chromium, mercury, PBB, PBDE, DBP, BBP, DEHP, DIBP, and 0.01% for cadmium, or qualify for an exemption to these limits as defined in the Annexes of Directive 2011/65/EU (RoHS2). Finished electrical and electronic equipment products will be CE marked as required by Directive 2011/65/EU. Components may not be CE marked. Additionally, the part numbers that TE has identified as EU ELV compliant have a maximum concentration of 0.1% by weight in homogenous materials for lead, hexavalent chromium, and mercury, and 0.01% for cadmium, or qualify for an exemption to these limits as defined in the Annexes of Directive 2000/53/EC (ELV). Regarding the REACH Regulation, the information TE provides on SVHC in articles for this part number is based on the latest European Chemicals Agency (ECHA) 'Guidance on requirements for substances in articles' posted at this URL: <https://echa.europa.eu/guidance-documents/guidance-on-reach>

Compatible Parts



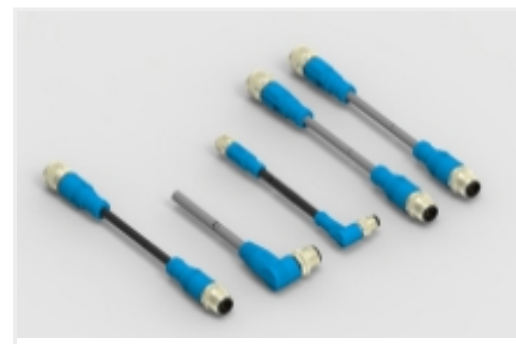
Also in the Series | [M12 Connector](#)



Connector Hardware(11)



Connector Seals & Cavity Plugs(4)



M8/M12 Cable Assemblies(230)



Standard Circular Connectors(793)

Customers Also Bought



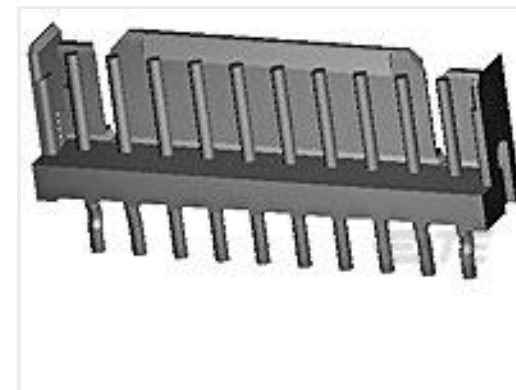
TE Part #5-2176330-5
CRGP 2010 330K 1%



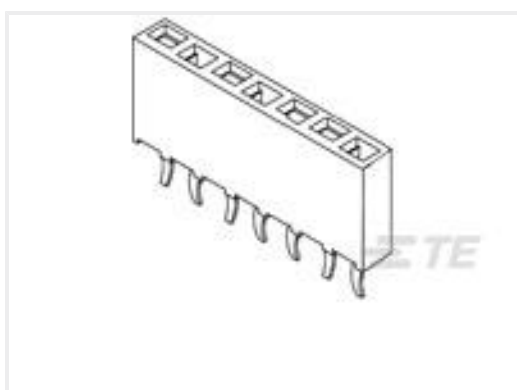
TE Part #5406299-1
MJ ASSY, S/P, 8 POS, SH, RVPGT, CAT 5e



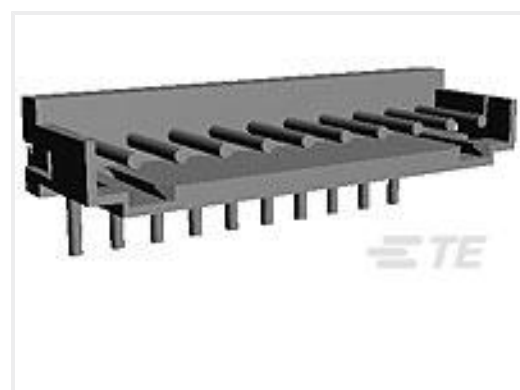
TE Part #1827625-1
SHIELD FINGER 3014 ANTI OVER STRESS TYPE



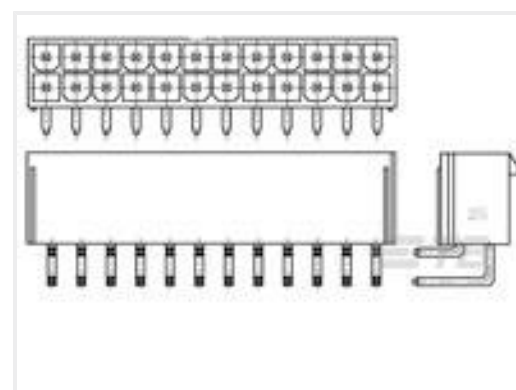
TE Part #292161-5
CT P/HDR ASSY V 5P W/KINK NAT



TE Part #215297-8
8P HV100 REC CON. TE, 7.0MM



TE Part #292253-7
CT CONN MT HDR ASSY H 7P NAT



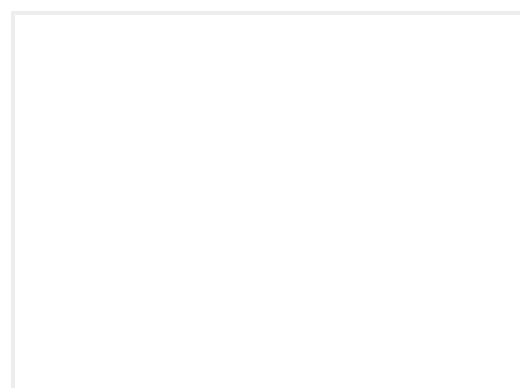
TE Part #1586041-2
2P VAL-U-LOK R/A HDR V2



TE Part #5558872-1
MJ, TE, 4P, W/O PNL STOPS



TE Part #350760-4
03P UMNL HDR ASSY PC



TE Part #1991134-2
M12 Mtl Female B-Code Pnl, PCB Front, Hx

Documents

Product Drawings

[M12 Mtl Male B-Code Pnl, PCB Front, Hx](#)

English

Datasheets & Catalog Pages

[M8 / M12 Connector System Catalog](#)

English

Product Specifications



[Product Specification](#)

English