



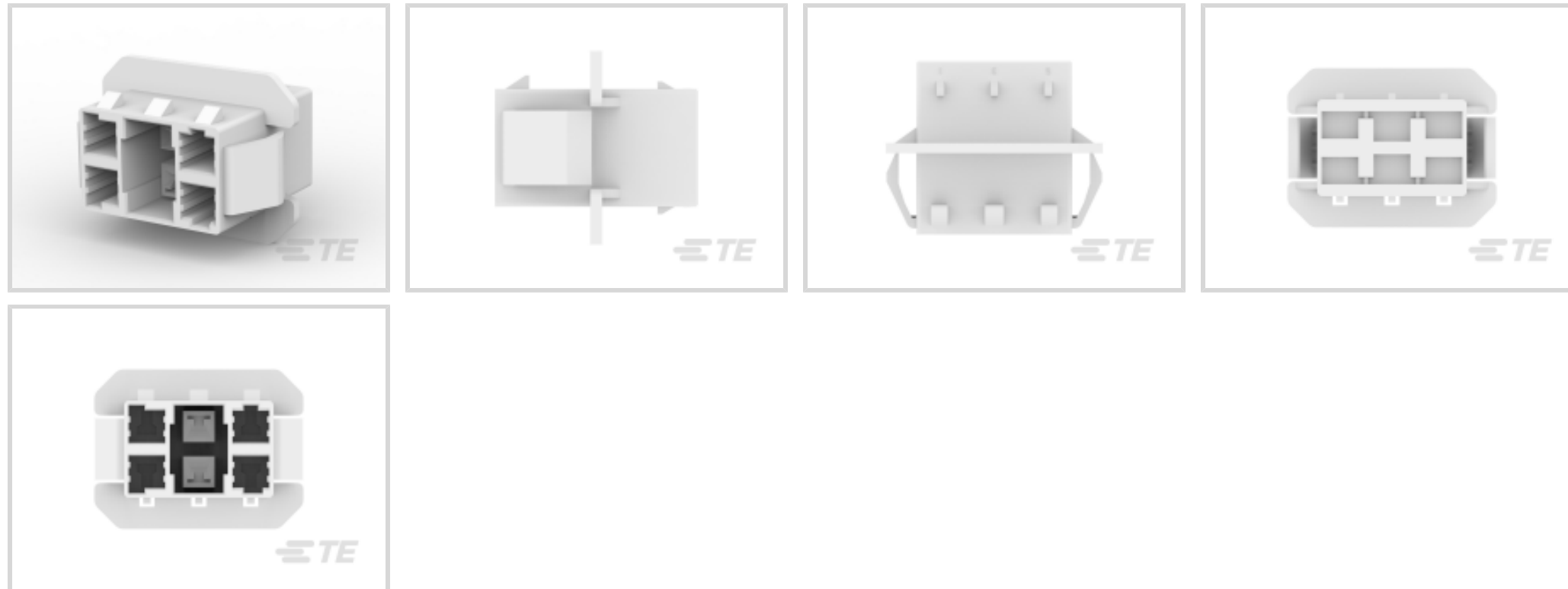
Power Double Lock

TE Internal #: 1983658-1

Housing, Plug, Wire-to-Wire, 6 Position, 6.6 mm [.26 in] Centerline, Wire & Cable, UL 94V-0, Power Double Lock, Rectangular Power Connectors

[View on TE.com >](#)

Connectors > Power Connectors > Rectangular Power > Rectangular Power Connectors > Glow Wire Power Double Lock Plug



Rectangular Power Connector Type: **Housing**

Connector & Housing Type: **Plug**

Connector System: **Wire-to-Wire**

Number of Positions: **6**

Centerline (Pitch): **6.6 mm [.26 in]**

[All Glow Wire Power Double Lock Plug \(55\)](#)

Features

Packaging Features

Packaging Quantity	500
Packaging Method	Bag

Contact Features

Contact Mating Area Plating Material	Tin
Contact Current Rating (Max)	9 A
Contact Retention Within Housing	Without
Contact Type	Receptacle, Tab
Contact Mating Area Plating Material Thickness	1 μm[39.37 μin]

Product Type Features

Rectangular Power Connector Type	Housing
Connector & Housing Type	Plug
Connector System	Wire-to-Wire



Sealable	No
----------	----

Connector & Contact Terminates To	Wire & Cable
-----------------------------------	--------------

Configuration Features

Number of Positions	6
---------------------	---

Number of Power Positions	6
---------------------------	---

Number of Signal Positions	0
----------------------------	---

Number of Rows	2
----------------	---

Electrical Characteristics

Operating Voltage	300 VAC
-------------------	---------

Termination Features

Termination Method to Wire & Cable	Crimp
------------------------------------	-------

Mechanical Attachment

Connector Mounting Type	Panel Mount
-------------------------	-------------

Housing Features

Centerline (Pitch)	6.6 mm [.26 in]
--------------------	-----------------

Housing Color	Natural
---------------	---------

Housing Material	Thermoplastic
------------------	---------------

Dimensions

Row-to-Row Spacing	6.6 mm [.259 in]
--------------------	------------------

Usage Conditions

Operating Temperature Range	-30 – 105 °C [-22 – 221 °F]
-----------------------------	-----------------------------

Operation/Application

Circuit Application	Power
---------------------	-------

Industry Standards

UL Flammability Rating	UL 94V-0
------------------------	----------

Glow Wire Rating	GWT 750°C (Without Flame)
------------------	---------------------------

Other

EU RoHS Compliance	Compliant
--------------------	-----------

EU ELV Compliance	Compliant
-------------------	-----------

Product Compliance

For compliance documentation, visit the product page on [TE.com](https://www.te.com)>



EU RoHS Directive 2011/65/EU	Compliant
EU ELV Directive 2000/53/EC	Compliant
China RoHS 2 Directive MIIT Order No 32, 2016	No Restricted Materials Above Threshold
EU REACH Regulation (EC) No. 1907/2006	Current ECHA Candidate List: JUNE 2024 (241) Candidate List Declared Against: JUNE 2024 (241) Does not contain REACH SVHC
Halogen Content	Not Low Halogen - contains Br or Cl > 900 ppm.
Solder Process Capability	Not reviewed for solder process capability

Product Compliance Disclaimer

This information is provided based on reasonable inquiry of our suppliers and represents our current actual knowledge based on the information they provided. This information is subject to change. The part numbers that TE has identified as EU RoHS compliant have a maximum concentration of 0.1% by weight in homogenous materials for lead, hexavalent chromium, mercury, PBB, PBDE, DBP, BBP, DEHP, DIBP, and 0.01% for cadmium, or qualify for an exemption to these limits as defined in the Annexes of Directive 2011/65/EU (RoHS2). Finished electrical and electronic equipment products will be CE marked as required by Directive 2011/65/EU. Components may not be CE marked. Additionally, the part numbers that TE has identified as EU ELV compliant have a maximum concentration of 0.1% by weight in homogenous materials for lead, hexavalent chromium, and mercury, and 0.01% for cadmium, or qualify for an exemption to these limits as defined in the Annexes of Directive 2000/53/EC (ELV). Regarding the REACH Regulation, the information TE provides on SVHC in articles for this part number is based on the latest European Chemicals Agency (ECHA) 'Guidance on requirements for substances in articles' posted at this URL: <https://echa.europa.eu/guidance-documents/guidance-on-reach>

Compatible Parts



TE Part # 1983659-1
4P Plug Housing



TE Part # 1983667-1
3P Double Lock



TE Part # 1983661-1
Tab connect 16-20AWG



TE Part # 1983664-1
Rec connect 22-26AWG



TE Part # 1983663-1
Rec connect 16-20AWG



TE Part # 1983660-1
2P Plug Housing



TE Part # 1983662-1
Tab connect 22-26AWG

Also in the Series | Power Double Lock



Connector Contacts(24)



Connector Hardware(14)



Insertion & Extraction Tools(2)



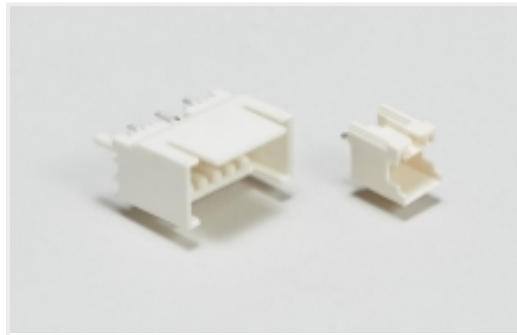
PCB Headers & Receptacles(43)



Power Contacts(24)



Rectangular Power Connectors(240)



Wire-to-Board Headers & Receptacles (43)

Customers Also Bought



TE Part #114017-ZZ
SEALING PLUG, SIZE 12/16, WHT



TE Part #CAT-AM71-CH8172
AMP SUPERSEAL 1.5MM,
CONNECTOR HOUSING



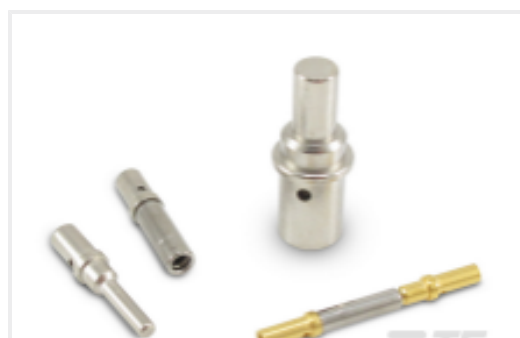
TE Part #DT04-2P
REC, 2P, GRY, N



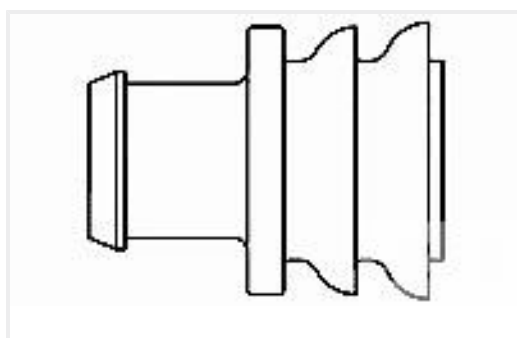
TE Part #DT06-2S
PLG, 2P, GRY, N



TE Part #CAT-D487-W416
WedgeLocks: DEUTSCH DT



TE Part #CAT-D48-ST273
DEUTSCH Solid Contacts



TE Part #281934-2
SINGLE WIRE SEAL

Documents

Product Drawings

6P Panel Mount

English

CAD Files

3D PDF

3D

Customer View Model

ENG_CVM_CVM_1983658-1_C.2d_dxf.zip



English

Customer View Model

[ENG_CVM_CVM_1983658-1_C.3d_igs.zip](#)

English

Customer View Model

[ENG_CVM_CVM_1983658-1_C.3d_stp.zip](#)

English

By downloading the CAD file I accept and agree to the [Terms and Conditions](#) of use.

Product Specifications

[Application Specification](#)

English

Agency Approvals

[VDE Certificate](#)

English