

MPS-203N x OBSOLETE

Alcoswitch | Alcoswitch Blue Series

TE Internal #: 1977739-3

TE Internal Description: MPS203N PSHBTTN DPDT

[View on TE.com >](#)



Switches > Push Button Switches



Configuration (Pole-Throw): **Double Pole - Double Throw**

Number of Actuators: **Single**

Actuator Profile: **Extended**

Bushing Style: **Threaded**

Bushing Thread Size: **1/4-40**

Features

Mechanical Attachment

Attachment Method	Screw-On
-------------------	----------

Packaging Features

Packaging Method	Bulk
------------------	------

Dimensions

Button Width	2.8 mm[.11 in]
Cap Diameter	10.01 mm[.394 in]
Actuator Length	8 mm[.315 in]

Contact Features

Contact Base Material	Brass
Switch Contact Plating Material	Silver

Housing Features

Low Profile	No
Process Sealed	No

Product Type Features

--	--

Switch Connection Type	Wire Lugs
Illuminated	Without
Actuator Style	Cap Actuator - Order Separately

Body Features

Case Material	Epoxy Resin
Sealing Method	Epoxy
Actuator Material	Nickel-Plated Copper Alloy
Product Orientation	Vertical
Actuator Force	500 g[17.63 oz]
Actuator Profile	Extended
Bushing Style	Threaded
Bushing Thread Size	1/4-40
Actuator Color	Natural

Configuration Features

Panel Cutout Size	6.5 (Diameter) mm[.256 in]
Configuration (Pole-Throw)	Double Pole - Double Throw
Number of Actuators	Single
Snap Action	With
Switch Feedback Type	Non-Tactile
Operating Function	On On

Electrical Characteristics

Contact Current Rating	3 A
Operating Voltage Range	125 VAC

Other

EU RoHS Compliance	Not Compliant
EU ELV Compliance	Compliant

Product Compliance

[For compliance documentation, visit the product page on TE.com>](#)

EU RoHS Directive 2011/65/EU	Not Compliant
EU ELV Directive 2000/53/EC	Compliant
China RoHS 2 Directive MIIT Order No 32, 2016	Restricted Materials Above Threshold

EU REACH Regulation (EC) No. 1907/2006

Current ECHA Candidate List: JUNE 2024 (241)

Candidate List Declared Against: JUNE 2024 (241)

SVHC > Threshold:

Pb (1.4% in Component Part)

Article Safe Usage Statements:

Do not eat, drink or smoke when using this product. Wash thoroughly after handling. Recycle if possible and dispose of the article by following all applicable governmental regulations relevant to your geographic location.

Halogen Content

Not Low Halogen - contains Br or Cl > 900 ppm.

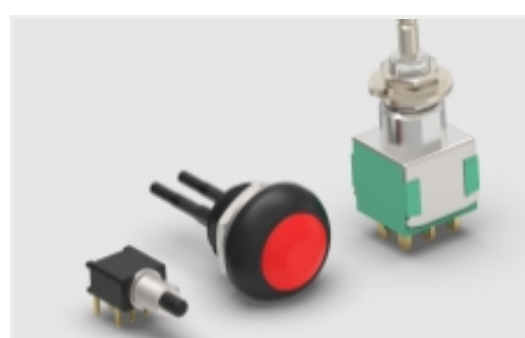
Solder Process Capability

Hand solderable with lead free solder

Product Compliance Disclaimer

This information is provided based on reasonable inquiry of our suppliers and represents our current actual knowledge based on the information they provided. This information is subject to change. The part numbers that TE has identified as EU RoHS compliant have a maximum concentration of 0.1% by weight in homogenous materials for lead, hexavalent chromium, mercury, PBB, PBDE, DBP, BBP, DEHP, DIBP, and 0.01% for cadmium, or qualify for an exemption to these limits as defined in the Annexes of Directive 2011/65/EU (RoHS2). Finished electrical and electronic equipment products will be CE marked as required by Directive 2011/65/EU. Components may not be CE marked. Additionally, the part numbers that TE has identified as EU ELV compliant have a maximum concentration of 0.1% by weight in homogenous materials for lead, hexavalent chromium, and mercury, and 0.01% for cadmium, or qualify for an exemption to these limits as defined in the Annexes of Directive 2000/53/EC (ELV). Regarding the REACH Regulation, the information TE provides on SVHC in articles for this part number is based on the latest European Chemicals Agency (ECHA) 'Guidance on requirements for substances in articles' posted at this URL: <https://echa.europa.eu/guidance-documents/guidance-on-reach>

Also in the Series | Alcoswitch Blue Series



General Purpose Push Button Switches (7)



Push Button Switches(7)

Customers Also Bought



TE Part #206070-8
CABLE CLAMP KIT #17



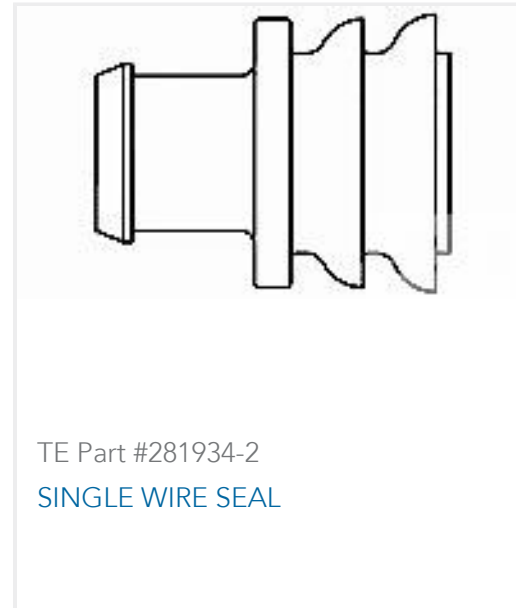
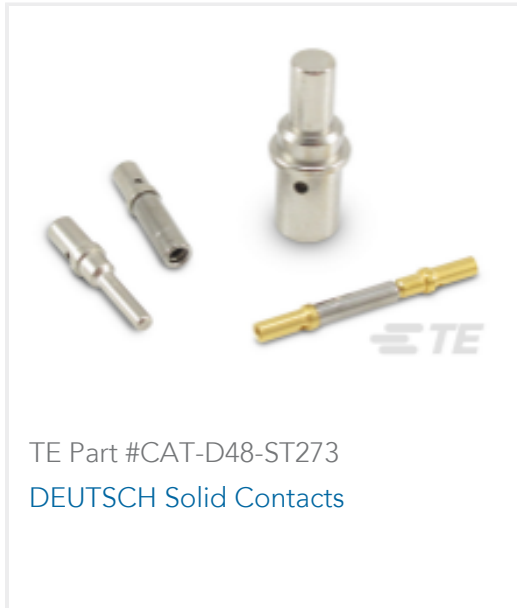
TE Part #DT04-2P
REC, 2P, GRY, N



TE Part #DT06-2S
PLG, 2P, GRY, N



TE Part #CAT-D487-W416
Wedgelocks: DEUTSCH DT



Documents

Product Drawings

MPS203N PSHBTTN DPDT

English

CAD Files

3D PDF

3D

Customer View Model

[ENG_CVM_CVM_1977739-3_C.2d_dxf.zip](#)

English

Customer View Model

[ENG_CVM_CVM_1977739-3_C.3d_igs.zip](#)

English

Customer View Model

[ENG_CVM_CVM_1977739-3_C.3d_stp.zip](#)

English

By downloading the CAD file I accept and agree to the [Terms and Conditions](#) of use.

Datasheets & Catalog Pages

[8-177346-1_ALCOSWITCH_BLUE_PUSHBUTTON](#)

English