



Switches > Push Button Switches



Push Button Switch Product Type: **General Purpose Push Button Switch**

Configuration (Pole-Throw): **Single Pole - Double Throw**

Number of Actuators: **Single**

Actuator Profile: **Extended**

Bushing Style: **Threaded**

Features

Mechanical Attachment

Attachment Method	Screw-On
-------------------	----------

Packaging Features

Packaging Method	Bulk
------------------	------

Dimensions

Button Width	2.8 mm[.11 in]
Cap Diameter	10.01 mm[.394 in]
Bushing Length	8 mm[.315 in]
Actuator Length	8 mm[.315 in]

Contact Features

Contact Base Material	Brass
Switch Contact Plating Material	Gold

Housing Features

Low Profile	No
Process Sealed	No

Body Features

Case Material	Epoxy Resin
Sealing Method	Epoxy
Actuator Material	Nickel-Plated Copper Alloy



Product Orientation	Vertical
Actuator Force	300 g[10.6 oz]
Actuator Profile	Extended
Bushing Style	Threaded
Bushing Thread Size	1/4-40
Actuator Color	Natural

Configuration Features

Panel Cutout Size	6.5 (Diameter) mm[.256 in]
Configuration (Pole-Throw)	Single Pole - Double Throw
Number of Actuators	Single
Snap Action	With
Switch Feedback Type	Non-Tactile
Operating Function	On (On)

Product Type Features

Switch Connection Type	Printed Circuit
Push Button Switch Product Type	General Purpose Push Button Switch
Illuminated	Without
Actuator Style	Cap Actuator - Order Separately

Electrical Characteristics

Contact Current Rating	.06 A
Operating Voltage Range	30 VDC

Other

EU RoHS Compliance	Compliant
--------------------	-----------

Product Compliance

[For compliance documentation, visit the product page on TE.com>](#)

EU RoHS Directive 2011/65/EU	Compliant
EU ELV Directive 2000/53/EC	Not Yet Reviewed
China RoHS 2 Directive MIIT Order No 32, 2016	No Restricted Materials Above Threshold
EU REACH Regulation (EC) No. 1907/2006	Current ECHA Candidate List: JUNE 2024 (241) Candidate List Declared Against: JUNE 2024 (241) SVHC > Threshold:



Pb (3.7% in Component Part)

Article Safe Usage Statements:

Do not eat, drink or smoke when using this product. Wash thoroughly after handling. Recycle if possible and dispose of the article by following all applicable governmental regulations relevant to your geographic location.

Halogen Content

Low Halogen - Br, Cl, F, I < 900 ppm per homogenous material. Also BFR/CFR/PVC Free

Solder Process Capability

Wave solder capable to 265°C


Product Compliance Disclaimer

This information is provided based on reasonable inquiry of our suppliers and represents our current actual knowledge based on the information they provided. This information is subject to change. The part numbers that TE has identified as EU RoHS compliant have a maximum concentration of 0.1% by weight in homogenous materials for lead, hexavalent chromium, mercury, PBB, PBDE, DBP, BBP, DEHP, DIBP, and 0.01% for cadmium, or qualify for an exemption to these limits as defined in the Annexes of Directive 2011/65/EU (RoHS2). Finished electrical and electronic equipment products will be CE marked as required by Directive 2011/65/EU. Components may not be CE marked. Additionally, the part numbers that TE has identified as EU ELV compliant have a maximum concentration of 0.1% by weight in homogenous materials for lead, hexavalent chromium, and mercury, and 0.01% for cadmium, or qualify for an exemption to these limits as defined in the Annexes of Directive 2000/53/EC (ELV). Regarding the REACH Regulations, TE's information on SVHC in articles for this part number is still based on the European Chemical Agency (ECHA) 'Guidance on requirements for substances in articles' (Version: 2, April 2011), applying the 0.1% weight on weight concentration threshold at the finished product level. TE is aware of the European Court of Justice ruling of September 10th, 2015 also known as O5A (Once An Article Always An Article) stating that, in case of 'complex object', the threshold for a SVHC must be applied to both the product as a whole and simultaneously to each of the articles forming part of its composition. TE has evaluated this ruling based on the new ECHA "Guidance on requirements for substances in articles" (June 2017, version 4.0) and will be updating its statements accordingly.

Compatible Parts



TE Part # 1977740-2
MPS103FPC PSHBTN SPDT MMNTRY




TE Part # 1977389-1
1Dual SP4T slide switch with cover

Also in the Series | Alcoswitch Blue Series



General Purpose Push Button Switches (7)



Push Button Switches(7)

Customers Also Bought



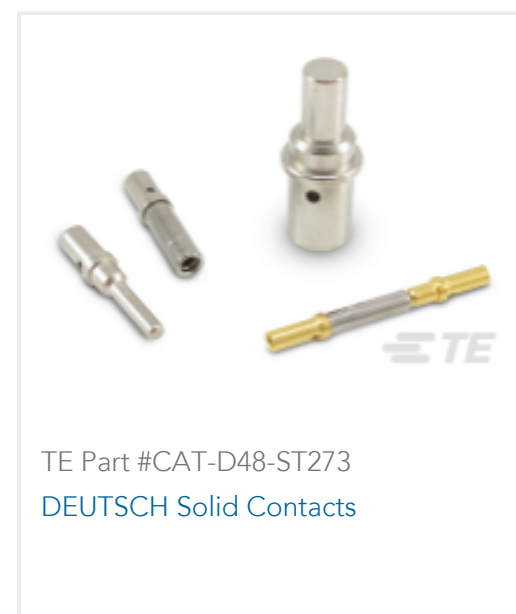
TE Part #DT04-2P
REC, 2P, GRY, N



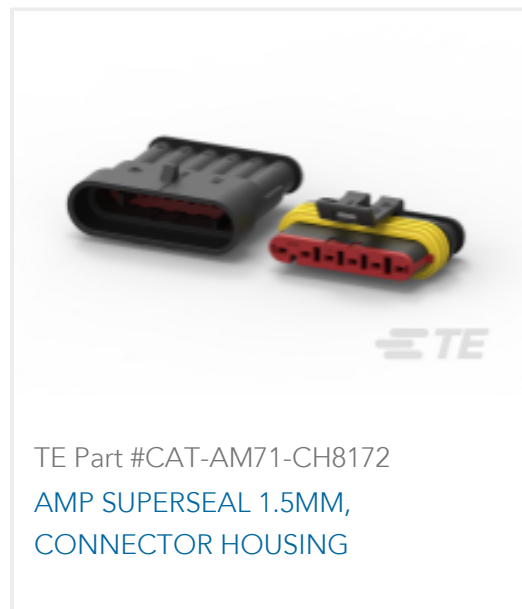
TE Part #DT06-2S
PLG, 2P, GRY, N



TE Part #CAT-D487-W416
Wedgelocks: DEUTSCH DT



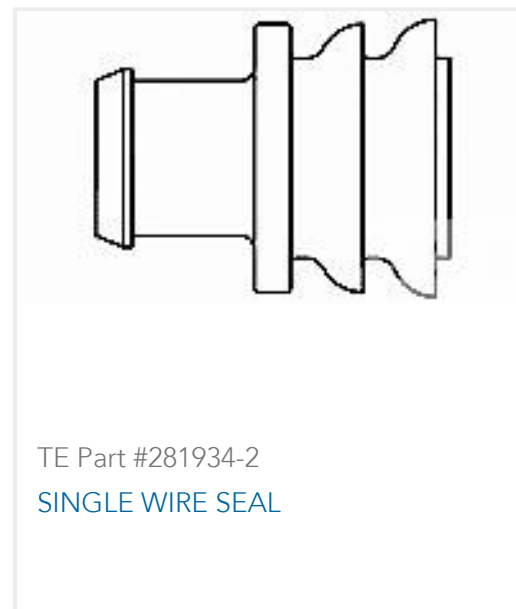
TE Part #CAT-D48-ST273
DEUTSCH Solid Contacts



TE Part #CAT-AM71-CH8172
AMP SUPERSEAL 1.5MM,
CONNECTOR HOUSING



TE Part #114017-ZZ
SEALING PLUG, SIZE 12/16, WHT



TE Part #281934-2
SINGLE WIRE SEAL

Documents

Product Drawings

[MPS1004FPC PSHBTN 0.4VA SPDT M](#)

English

CAD Files

Customer View Model

[ENG_CVM_CVM_1977738-2_C.3d_igs.zip](#)

English

Customer View Model

[ENG_CVM_CVM_1977738-2_C.3d_stp.zip](#)

English

Customer View Model

[ENG_CVM_CVM_1977738-2_C.2d_dxf.zip](#)

English

3D PDF

3D

By downloading the CAD file I accept and agree to the [Terms and Conditions](#) of use.

Datasheets & Catalog Pages

[8-177346-1_ALCOSWITCH_BLUE_PUSHBUTTON](#)

English