



Connectors > Connector Accessories > Heat Sinks



Device Type: **SFP**

Fin Style: **Pin Fin**

Number of Fins: **50**

Power Rating: **15 W, 5 W, 10 W**

EU RoHS Compliance: **Compliant**

Features

Body Features

Primary Product Material	Cold-Forged Aluminum, Aluminum
Primary Product Plating Material	Electroless Nickel
Fin Style	Pin Fin

Product Type Features

Device Type	SFP
-------------	-----

Configuration Features

Number of Fins	50
----------------	----

Electrical Characteristics

Power Rating	15 W, 5 W, 10 W
--------------	-----------------

Other

EU RoHS Compliance	Compliant
EU ELV Compliance	Compliant

Product Compliance

[For compliance documentation, visit the product page on TE.com>](#)

EU RoHS Directive 2011/65/EU	Compliant
EU ELV Directive 2000/53/EC	Compliant
China RoHS 2 Directive MIIT Order No 32, 2016	No Restricted Materials Above Threshold
EU REACH Regulation (EC) No. 1907/2006	Current ECHA Candidate List: JUNE 2024 (241)



Candidate List Declared Against: JUNE 2024 (241)

Does not contain REACH SVHC

Halogen Content

Low Halogen - Br, Cl, F, I < 900 ppm per homogenous material. Also BFR/CFR/PVC Free

Solder Process Capability

Not applicable for solder process capability

Product Compliance Disclaimer

This information is provided based on reasonable inquiry of our suppliers and represents our current actual knowledge based on the information they provided. This information is subject to change. The part numbers that TE has identified as EU RoHS compliant have a maximum concentration of 0.1% by weight in homogenous materials for lead, hexavalent chromium, mercury, PBB, PBDE, DBP, BBP, DEHP, DIBP, and 0.01% for cadmium, or qualify for an exemption to these limits as defined in the Annexes of Directive 2011/65/EU (RoHS2). Finished electrical and electronic equipment products will be CE marked as required by Directive 2011/65/EU. Components may not be CE marked. Additionally, the part numbers that TE has identified as EU ELV compliant have a maximum concentration of 0.1% by weight in homogenous materials for lead, hexavalent chromium, and mercury, and 0.01% for cadmium, or qualify for an exemption to these limits as defined in the Annexes of Directive 2000/53/EC (ELV). Regarding the REACH Regulation, the information TE provides on SVHC in articles for this part number is based on the latest European Chemicals Agency (ECHA) 'Guidance on requirements for substances in articles' posted at this URL: <https://echa.europa.eu/guidance-documents/guidance-on-reach>

Compatible Parts



TE Part # 1489948-2
XFP HEAT SINK CLIP, PLATED



TE Part # CAT-X29-C1171XN
XFP Cage Assemblies and Kits

Customers Also Bought



TE Part #6116353-8
INV MJ,1X2,PNL GRD,LED (YG/YG)



TE Part #1-5767096-0
MICT,REC,114,ASY,.025,TAPE,CAP



TE Part #1825096-4
TPA11CGRA004



TE Part #2065657-1
zd Plus, 4 pair, receptacle assy



TE Part #1888631-2

Cage Assy SAN Hsink QSFP Thru Bezel



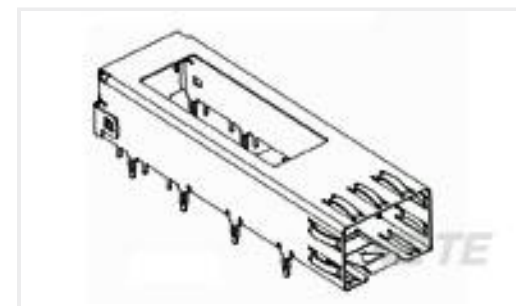
TE Part #6469048-1

HMZD 4PR RA HDR 80P ASSY LF



TE Part #6600120-2

MBXL R/A HDR DB 24S+6P



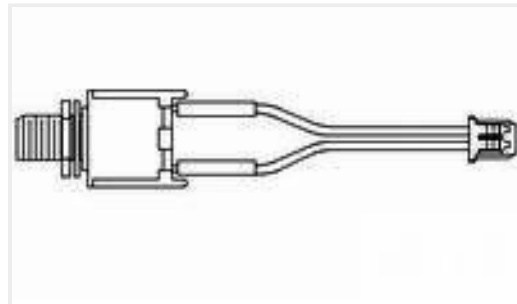
TE Part #2227316-1

DWDM Cage Assembly, 11 PF



TE Part #1367646-4

Heatsink clip Stamped and Form



TE Part #1559528-1

30-W2297F04B, CABLE ASSEMBLY

Documents

Product Drawings

[HEAT SINK SFP DWDM 10.0mm TALL](#)

English

CAD Files

[3D PDF](#)

3D

Customer View Model

[ENG_CVM_CVM_1963854-2_B.2d_dxf.zip](#)

English

Customer View Model

[ENG_CVM_CVM_1963854-2_B.3d_igs.zip](#)

English

Customer View Model

[ENG_CVM_CVM_1963854-2_B.3d_stp.zip](#)

English

By downloading the CAD file I accept and agree to the [Terms and Conditions](#) of use.