

## AMPLIMITE

TE Internal #: 1932144-1

TE Internal Description: HD-22 D-SUB 15P,V/T

[View on TE.com >](#)

Connectors &gt; D-Shaped Connectors &gt; D-Sub Connectors &gt; PCB D-Sub Connectors

Connector & Housing Type: **Receptacle**Connector System: **Board-to-Board**Number of Positions: **15**Centerline (Pitch): **2.29 mm [ .09 in ]**Number of Rows: **3****Features****Industry Standards**

UL Flammability Rating	UL 94V-0
------------------------	----------

**Termination Features**

Termination Post & Tail Diameter	.63 mm[.025 in]
Termination Post & Tail Length	2.6 mm[.102 in]

**Packaging Features**

Packaging Quantity	80
Packaging Method	Tray, Box & Tray

**Operation/Application**

Shielded	No
Circuit Application	Signal

**Mechanical Attachment**

Mounting Hole Diameter	3.2 mm[.126 in]
Assembly Process Feature Plating Material	Tin
PCB Mount Retention	With
PCB Mount Retention Type	Boardlock
Mating Retention	With
Mating Retention Type	Female Screwlocks, 4-40 UNC
Connector Mounting Type	Board Mount

**Body Features**

Assembly Process Feature Material	Steel
Shell Plating Material	Tin
Primary Product Color	Black
Connector Profile	Standard

### Contact Features

Contact Underplating Material	Nickel
Contact Options	Installed
Contact Mating Area Plating Material	Gold Flash
Contact Base Material	Copper Alloy
PCB Contact Termination Area Plating Material	Tin
Contact Shape & Form	Round

### Dimensions

PCB Thickness (Recommended)	1.6 mm[.062 in]
Row-to-Row Spacing	1.98 mm[.078 in]

### Housing Features

Housing Material	Thermoplastic
Shell Material	Carbon Steel
Centerline (Pitch)	2.29 mm[.09 in]

### Product Type Features

Shell Material Configuration	Full Metal Shell
Connector & Housing Type	Receptacle
Connector System	Board-to-Board
Connector Shell Size	1
Connector & Contact Terminates To	Printed Circuit Board

### Configuration Features

Number of Positions	15
Number of Rows	3
PCB Mount Orientation	Vertical

### Other

EU RoHS Compliance	Compliant
EU ELV Compliance	Compliant



## Product Compliance

[For compliance documentation, visit the product page on TE.com>](#)

EU RoHS Directive 2011/65/EU	Compliant
EU ELV Directive 2000/53/EC	Compliant
China RoHS 2 Directive MIIT Order No 32, 2016	No Restricted Materials Above Threshold
EU REACH Regulation (EC) No. 1907/2006	Current ECHA Candidate List: JUNE 2024 (241) Candidate List Declared Against: JAN 2019 (197) Does not contain REACH SVHC
Halogen Content	Low Halogen - Br, Cl, F, I < 900 ppm per homogenous material. Also BFR/CFR/PVC Free
Solder Process Capability	Wave solder capable to 265°C

### Product Compliance Disclaimer

This information is provided based on reasonable inquiry of our suppliers and represents our current actual knowledge based on the information they provided. This information is subject to change. The part numbers that TE has identified as EU RoHS compliant have a maximum concentration of 0.1% by weight in homogenous materials for lead, hexavalent chromium, mercury, PBB, PBDE, DBP, BBP, DEHP, DIBP, and 0.01% for cadmium, or qualify for an exemption to these limits as defined in the Annexes of Directive 2011/65/EU (RoHS2). Finished electrical and electronic equipment products will be CE marked as required by Directive 2011/65/EU. Components may not be CE marked. Additionally, the part numbers that TE has identified as EU ELV compliant have a maximum concentration of 0.1% by weight in homogenous materials for lead, hexavalent chromium, and mercury, and 0.01% for cadmium, or qualify for an exemption to these limits as defined in the Annexes of Directive 2000/53/EC (ELV). Regarding the REACH Regulation, the information TE provides on SVHC in articles for this part number is based on the latest European Chemicals Agency (ECHA) 'Guidance on requirements for substances in articles' posted at this URL: <https://echa.europa.eu/guidance-documents/guidance-on-reach>

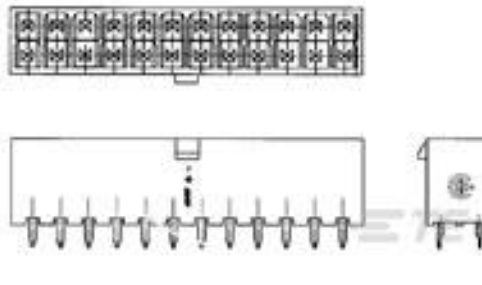
## Customers Also Bought




TE Part #1473226-1  
SOCKET WITH RING MINI U-M-N-L



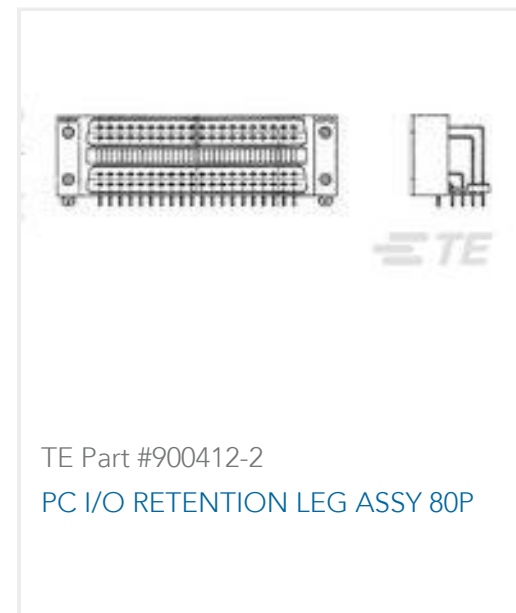
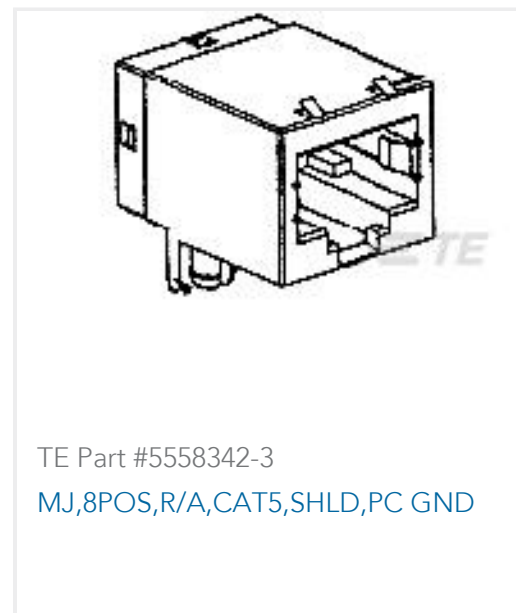
TE Part #CAT-D9934-A75I  
Header Assembly: Wire-to-Board Connector, Spring Clamp, 7.5 mm pitch, 14.5A



TE Part #2-1586038-2  
22P VRT HDR VAL-U-LOK V0



TE Part #1123677-1  
Z-STACK TYPE F16 ASSY 130P



## Documents

### CAD Files

Customer View Model

[ENG\\_CVM\\_1932144-1\\_A.3d\\_igs.zip](#)

English

Customer View Model

[ENG\\_CVM\\_1932144-1\\_A.3d\\_stp.zip](#)

English

Customer View Model

[ENG\\_CVM\\_1932144-1\\_A.2d\\_dxf.zip](#)

English

**3D PDF**

English

By downloading the CAD file I accept and agree to the [Terms and Conditions](#) of use.