



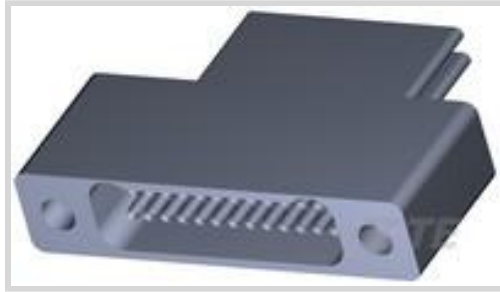
**Nanonics**

TE Internal #: 1925224-9

Receptacle, Wire-to-Wire, 25 Position, .64 mm [.025 in] Centerline, Wire & Cable, Microminiature & Nanominiature D Connectors

[View on TE.com >](#)

Connectors > D-Shaped Connectors > Microminiature & Nanominiature D Connectors > Micro and nano connectors, recp, 25pos



Connector & Housing Type: **Receptacle**

Connector System: **Wire-to-Wire**

Number of Positions: **25**

Mounting Hardware: **No Hardware**

Centerline (Pitch): **.64 mm [.025 in]**

[All Micro and nano connectors, recp, 25pos \(2\)](#)

**Features**

**Contact Features**

Contact Options	Installed
Contact Current Rating (Max)	1 A

**Housing Features**

Housing Material	Aluminum
Centerline (Pitch)	.64 mm[.025 in]

**Product Type Features**

Compatible With Discrete Wire Type	Stranded
Connector & Housing Type	Receptacle
Connector System	Wire-to-Wire
Connector & Contact Terminates To	Wire & Cable

**Configuration Features**

Number of Positions	25
---------------------	----

**Termination Features**

Termination Method to Wire & Cable	Preterminated Flying Leads
------------------------------------	----------------------------

**Mechanical Attachment**

Mounting Hardware	No Hardware
Connector Mounting Type	Cable Mount (Free-Hanging)



### Usage Conditions

Operating Temperature Range	-65 – 125 °C[-85 – 257 °F]
-----------------------------	----------------------------

### Other

EU RoHS Compliance	Compliant
EU ELV Compliance	Compliant

### Product Compliance

[For compliance documentation, visit the product page on TE.com>](#)

EU RoHS Directive 2011/65/EU	Compliant
EU ELV Directive 2000/53/EC	Compliant
China RoHS 2 Directive MIIT Order No 32, 2016	No Restricted Materials Above Threshold
EU REACH Regulation (EC) No. 1907/2006	Current ECHA Candidate List: JUNE 2024 (241) Candidate List Declared Against: JAN 2024 (240) Does not contain REACH SVHC
Halogen Content	Not Yet Reviewed for halogen content
Solder Process Capability	Wave solder capable to 265°C

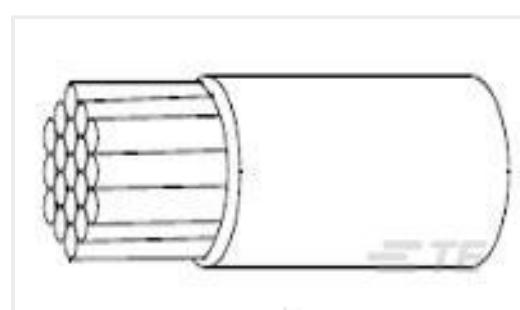
#### Product Compliance Disclaimer

This information is provided based on reasonable inquiry of our suppliers and represents our current actual knowledge based on the information they provided. This information is subject to change. The part numbers that TE has identified as EU RoHS compliant have a maximum concentration of 0.1% by weight in homogenous materials for lead, hexavalent chromium, mercury, PBB, PBDE, DBP, BBP, DEHP, DIBP, and 0.01% for cadmium, or qualify for an exemption to these limits as defined in the Annexes of Directive 2011/65/EU (RoHS2). Finished electrical and electronic equipment products will be CE marked as required by Directive 2011/65/EU. Components may not be CE marked. Additionally, the part numbers that TE has identified as EU ELV compliant have a maximum concentration of 0.1% by weight in homogenous materials for lead, hexavalent chromium, and mercury, and 0.01% for cadmium, or qualify for an exemption to these limits as defined in the Annexes of Directive 2000/53/EC (ELV). Regarding the REACH Regulation, the information TE provides on SVHC in articles for this part number is based on the latest European Chemicals Agency (ECHA) 'Guidance on requirements for substances in articles' posted at this URL: <https://echa.europa.eu/guidance-documents/guidance-on-reach>

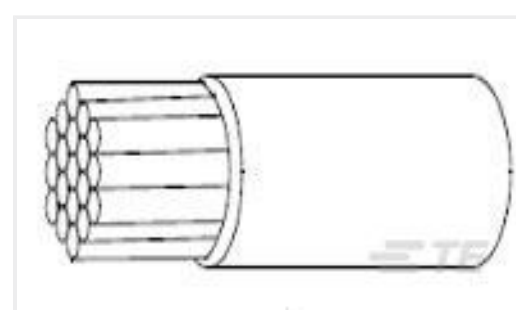
### Customers Also Bought



TE Part #316038-004  
[55A0121-24-0/9](#)



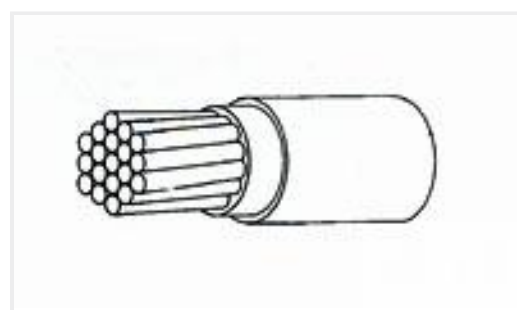
TE Part #216278-001  
[22759/33-24-9](#)



TE Part #216366-001  
[22759/33-20-9](#)



TE Part #1658645-1  
[KIT,HDP-20,OVRMLD,PLUG,SIZE 1,](#)



TE Part #855850-001  
22759/43-12-9



TE Part #650129-000  
D-436-85



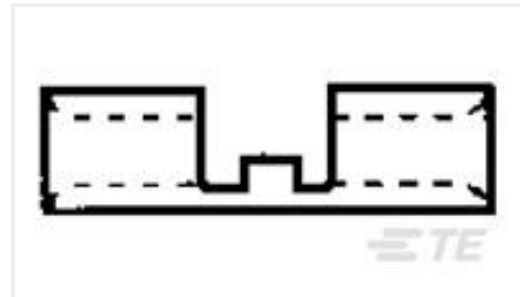
TE Part #2-320571-4  
TERMINAL,PIDG R IR 20 1/4



TE Part #650130-000  
D-436-86



TE Part #650131-000  
D-436-87



TE Part #324369  
SOLIS 26-22 S-T HR BUTT, AU

## Documents

### Product Drawings

[TMN2N025SC2DM018T = M32139/04-D05TNS](#)

English

### CAD Files

[3D PDF](#)

3D

Customer View Model

[ENG\\_CVM\\_CVM\\_1925224-9\\_A.2d\\_dxf.zip](#)

English

Customer View Model

[ENG\\_CVM\\_CVM\\_1925224-9\\_A.3d\\_igs.zip](#)

English

Customer View Model

[ENG\\_CVM\\_CVM\\_1925224-9\\_A.3d\\_stp.zip](#)

English

By downloading the CAD file I accept and agree to the [Terms and Conditions](#) of use.

### Datasheets & Catalog Pages

[Nanonics Connectors for MIL-DTL-32139](#)

English