



Nanonics

TE Internal #: 1925219-9

Plug, Wire-to-Wire, 37 Position, .64 mm [.025 in] Centerline, Wire & Cable, Cable Mount (Free-Hanging), Microminiature & Nanominiature D Connectors

[View on TE.com >](#)

Connectors > D-Shaped Connectors > Microminiature & Nanominiature D Connectors >

NANONICS Rectangular Connectors: Plug Assembly, 37 Positions



Connector & Housing Type: **Plug**

Connector System: **Wire-to-Wire**

Number of Positions: **37**

Mounting Hardware: **No Hardware**

Centerline (Pitch): **.64 mm [.025 in]**

[All NANONICS Rectangular Connectors: Plug Assembly, 37 Positions \(2\)](#)

Features

Contact Features

Contact Options	Installed
Contact Current Rating (Max)	1 A

Housing Features

Housing Material	Aluminum
Centerline (Pitch)	.64 mm [.025 in]

Product Type Features

Compatible With Discrete Wire Type	Stranded
Connector & Housing Type	Plug
Connector System	Wire-to-Wire
Connector & Contact Terminates To	Wire & Cable

Configuration Features

Number of Positions	37
---------------------	----

Termination Features

Termination Method to Wire & Cable	Preterminated Flying Leads
------------------------------------	----------------------------

Mechanical Attachment

--	--



Mounting Hardware	No Hardware
Connector Mounting Type	Cable Mount (Free-Hanging)

Usage Conditions

Operating Temperature Range	-65 – 125 °C[-85 – 257 °F]
-----------------------------	----------------------------

Other

EU RoHS Compliance	Compliant
EU ELV Compliance	Compliant

Product Compliance

[For compliance documentation, visit the product page on TE.com>](#)

EU RoHS Directive 2011/65/EU	Compliant
EU ELV Directive 2000/53/EC	Compliant
China RoHS 2 Directive MIIT Order No 32, 2016	No Restricted Materials Above Threshold
EU REACH Regulation (EC) No. 1907/2006	Current ECHA Candidate List: JUNE 2024 (241) Candidate List Declared Against: JUNE 2023 (235) Does not contain REACH SVHC
Halogen Content	Not Low Halogen - contains Br or Cl > 900 ppm.
Solder Process Capability	Wave solder capable to 265°C

Product Compliance Disclaimer

This information is provided based on reasonable inquiry of our suppliers and represents our current actual knowledge based on the information they provided. This information is subject to change. The part numbers that TE has identified as EU RoHS compliant have a maximum concentration of 0.1% by weight in homogenous materials for lead, hexavalent chromium, mercury, PBB, PBDE, DBP, BBP, DEHP, DIBP, and 0.01% for cadmium, or qualify for an exemption to these limits as defined in the Annexes of Directive 2011/65/EU (RoHS2). Finished electrical and electronic equipment products will be CE marked as required by Directive 2011/65/EU. Components may not be CE marked. Additionally, the part numbers that TE has identified as EU ELV compliant have a maximum concentration of 0.1% by weight in homogenous materials for lead, hexavalent chromium, and mercury, and 0.01% for cadmium, or qualify for an exemption to these limits as defined in the Annexes of Directive 2000/53/EC (ELV). Regarding the REACH Regulation, the information TE provides on SVHC in articles for this part number is based on the latest European Chemicals Agency (ECHA) 'Guidance on requirements for substances in articles' posted at this URL: <https://echa.europa.eu/guidance-documents/guidance-on-reach>

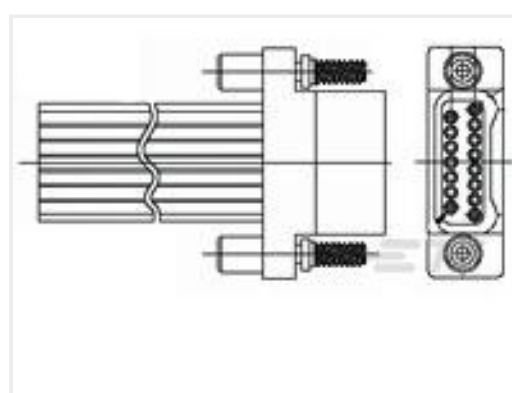
Customers Also Bought



TE Part #354186-E
MSPEED 50 M SMDTHR M9 B AB VV
137 094 *



TE Part #2467916-1
RF TERMINATOR 2.92MM PLUG 40
GHZ 2W SUS



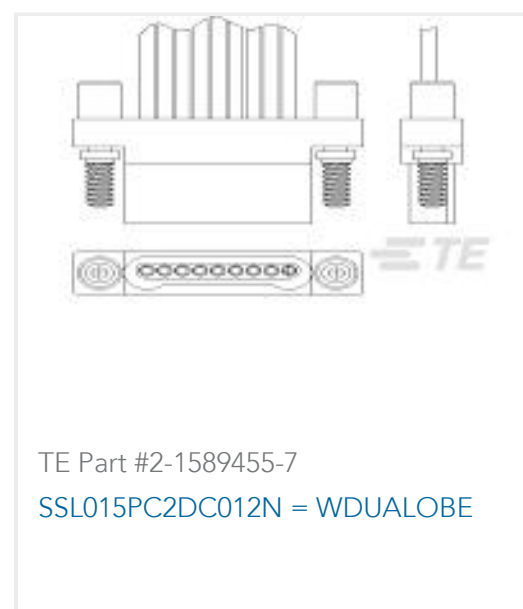
TE Part #1589788-2
STL009PC2DM030N = WDUALOBE



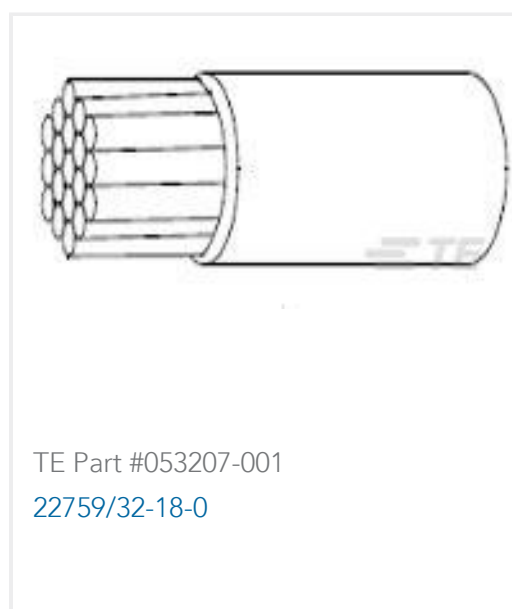
TE Part #2327906-4
KEYED GUIDE PIN , MACHINED,
MULTIGIG BP



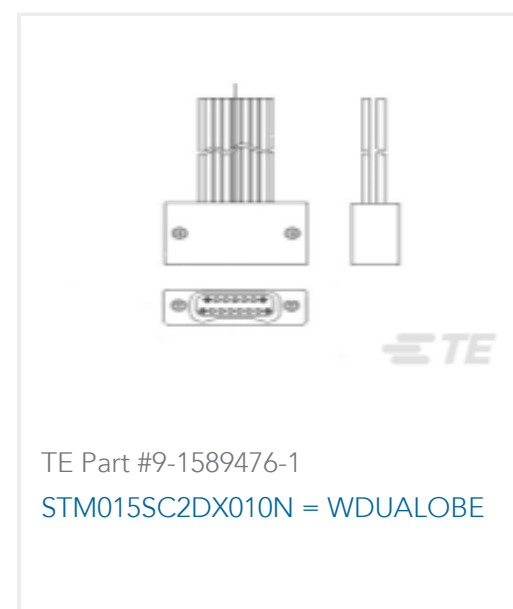
TE Part #2221706-1
2 POSITION RF BACKPLANE MODULE



TE Part #2-1589455-7
SSL015PC2DC012N = WDUALOBE



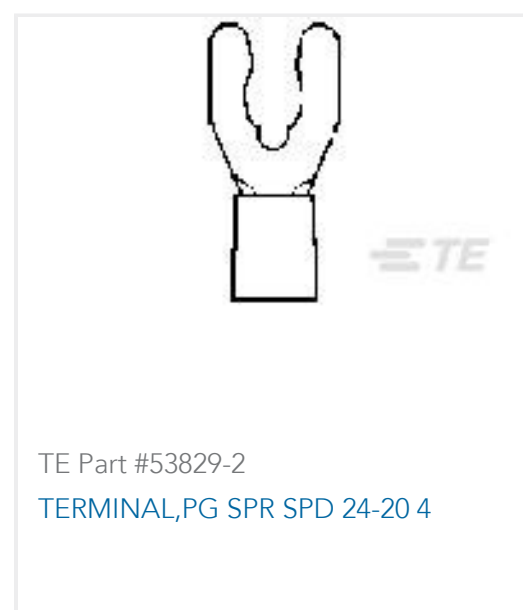
TE Part #053207-001
22759/32-18-0



TE Part #9-1589476-1
STM015SC2DX010N = WDUALOBE



TE Part #554902-1
EMI RCPT ASSY,50 POSN,SHLD



TE Part #53829-2
TERMINAL,PG SPR SPD 24-20 4

Documents

Product Drawings

[TMN2N037PC2DM018S = M32139/03-F05SNS](#)

English

CAD Files

[3D PDF](#)

3D

Customer View Model

[ENG_CVM_CVM_1925219-9_A.2d_dxf.zip](#)

English

Customer View Model

[ENG_CVM_CVM_1925219-9_A.3d_igs.zip](#)

English

Customer View Model

[ENG_CVM_CVM_1925219-9_A.3d_stp.zip](#)

English

By downloading the CAD file I accept and agree to the [Terms and Conditions](#) of use.

Datasheets & Catalog Pages



Nanonics Connectors for MIL-DTL-32139

English