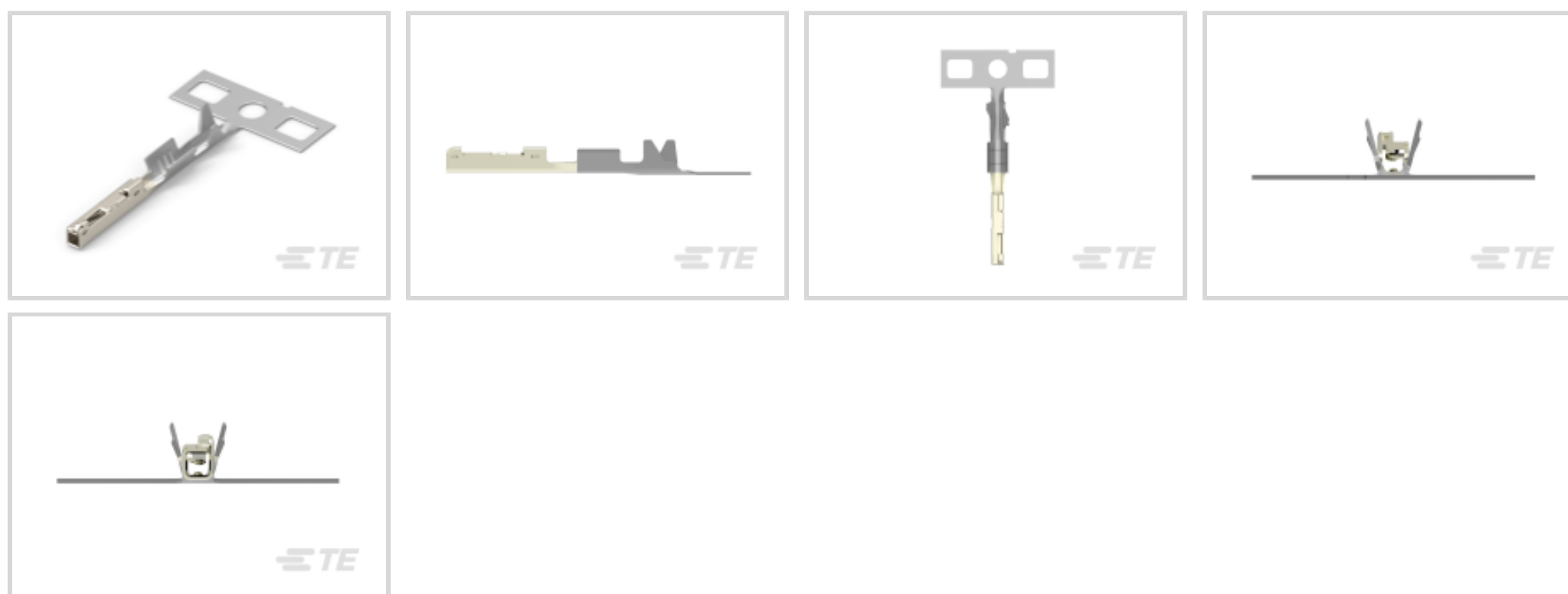




Automotive Parts &gt; Automotive Terminals

Terminal Type: **Receptacle**Wire Size: **24 – 22 AWG**Mating Tab Width: **.5 mm [ .02 in ]**Interface Plating: **Gold (Au)**

## Features

### Product Type Features

|                         |            |
|-------------------------|------------|
| Primary Locking Feature | Clean Body |
| Sealable                | No         |

### Body Features

|                    |          |
|--------------------|----------|
| Terminal Seal Type | Unsealed |
|--------------------|----------|

### Contact Features

|                     |                  |
|---------------------|------------------|
| Crimp Type          | F-Crimp          |
| Contact Size        | .5mm             |
| Contact Fabrication | Stamped & Formed |
| Terminal Type       | Receptacle       |
| Mating Tab Width    | .5 mm [.02 in]   |
| Interface Plating   | Gold (Au)        |

### Termination Features

|                                    |       |
|------------------------------------|-------|
| Termination Method to Wire & Cable | Crimp |
| Product Terminates To              | Wire  |

### Dimensions

|                                      |   |
|--------------------------------------|---|
| Compatible Insulation Diameter Range | .95 – 1.2 mm [.037 – .047 in]                                 |
| Wire Size                            | 24 – 22 AWG   |
| Wire Size Search                     | .2 mm <sup>2</sup> , .25 mm <sup>2</sup> , .3 mm <sup>2</sup> |
| Tab Length                           | 12.9 mm [.5 in]   |

### Usage Conditions

|                             |                            |
|-----------------------------|----------------------------|
| Insulation Option           | Uninsulated                |
| Operating Temperature (Max) | 85 °C [185 °F]             |
| Operating Temperature Range | -30 – 85 °C [-22 – 185 °F] |

### Operation/Application

|                                    |        |
|------------------------------------|--------|
| Compatible With Wire Base Material | Copper |
|------------------------------------|--------|

### Packaging Features

|                    |       |
|--------------------|-------|
| Packaging Method   | Reel  |
| Packaging Quantity | 11500 |

### Other

|                    |                      |
|--------------------|----------------------|
| Terminal Transmits | 0 – 24 A (Low Power) |
|--------------------|----------------------|

## Product Compliance

[For compliance documentation, visit the product page on TE.com>](#)

|   |   |
|---|---|
| EU RoHS Directive 2011/65/EU                  | Compliant   |
| EU ELV Directive 2000/53/EC                   | Compliant   |
| China RoHS 2 Directive MIIT Order No 32, 2016 | 有害物质含量符合标准要求 No Restricted Substance(s) Above Threshold   |
| EU REACH Regulation (EC) No. 1907/2006        | Current ECHA Candidate List: JUNE 2025 (250)<br>Candidate List Declared Against: JUNE 2025 (250)<br>Does not contain REACH SVHC |
| Halogen Content                               | Low Halogen - Br, Cl, F < 900 ppm per homogenous material. Also BFR/CFR/PVC Free  |
| Solder Process Capability                     | Not applicable for solder process capability  |

#### Product Compliance Disclaimer

This information is provided based on reasonable inquiry of our suppliers and represents our current actual knowledge based on the information they provided. This information is subject to change. The part numbers that TE has identified as EU RoHS compliant have a maximum concentration of 0.1% by weight in homogenous materials for lead, hexavalent chromium, mercury, PBB, PBDE, DBP, BBP, DEHP, DIBP, and 0.01% for cadmium, or qualify for an exemption to these

limits as defined in the Annexes of Directive 2011/65/EU (RoHS2). Finished electrical and electronic equipment products will be CE marked as required by Directive 2011/65/EU. Components may not be CE marked. Additionally, the part numbers that TE has identified as EU ELV compliant have a maximum concentration of 0.1% by weight in homogenous materials for lead, hexavalent chromium, and mercury, and 0.01% for cadmium, or qualify for an exemption to these limits as defined in the Annexes of Directive 2000/53/EC (ELV). Regarding the REACH Regulation, the information TE provides on SVHC in articles for this part number is based on the latest European Chemicals Agency (ECHA) 'Guidance on requirements for substances in articles' posted at this URL: <https://echa.europa.eu/guidance-documents/guidance-on-reach>

## Compatible Parts



TE Part # 2478539-1  
EXTRACTION TOOL



TE Part # 1939440-1  
0.5 30POS CAP ASSY DIP SCREW



TE Part # 2151147-1  
OCEAN-2.0-APPLICATOR-S-042F042O-RSM



TE Part # 2305570-1  
Strip Terminal Cutter-Side Feed-No Crimp



TE Part # 2013031-2  
0.50 SERIES 24POS PLUG ASSY



TE Part # 2151147-2  
OCEAN-2.0-APPLICATOR-S-042F042OA-RSA



TE Part # CAT-HPCH5372  
High Pin Count Header



TE Part # CAT-A12-CH8172  
0.50 CONNECTOR SYSTEM, CONNECTOR HOUSING



TE Part # 7-2151147-7  
OCEAN\_2.0\_SPARE\_PART\_KIT-042F042O

## Also in the Series | 0.50 Connector System



Automotive Housings(65)

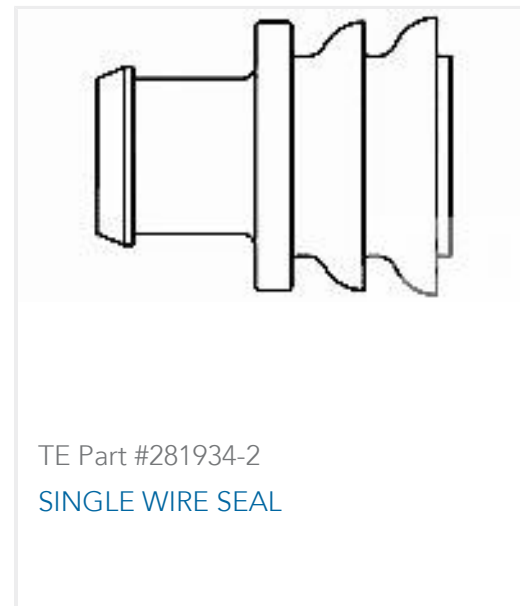
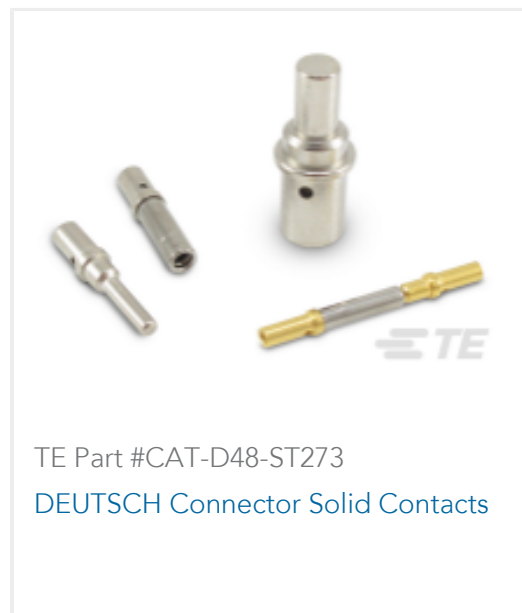


Automotive Seals & Cavity Plugs(2)



Automotive Signal & Power Connector Housings(65)

## Customers Also Bought



## Documents

### CAD Files

[3D PDF](#)

[3D](#)

**Customer View Model**

[ENG\\_CVM\\_CVM\\_1903703-1\\_C.2d\\_dxf.zip](#)

English

**Customer View Model**

[ENG\\_CVM\\_CVM\\_1903703-1\\_C.3d\\_igs.zip](#)

English

**Customer View Model**

[ENG\\_CVM\\_CVM\\_1903703-1\\_C.3d\\_stp.zip](#)

English

By downloading the CAD file I accept and agree to the [Terms and Conditions](#) of use.

### Product Specifications

[Application Specification](#)

English

[Application Specification](#)

Japanese

### Instruction Sheets

[0.50/1.5 HYBRID SERIES UNSEALED CONNECTOR \(SMT-TYPE\)](#)

English

[Instruction Sheet \(U.S.\)](#)

English