

1897212-3 ✓ ACTIVE



AMP MCP

TE Internal #: 1897212-3

TE Internal Description: MCP 1.5 2P PLUG ASSY GRY

AMP MCP, SEALED CONNECTOR HOUSING

[View on TE.com >](#)



All AMP MCP, SEALED CONNECTOR HOUSING (130)

Product Compliance

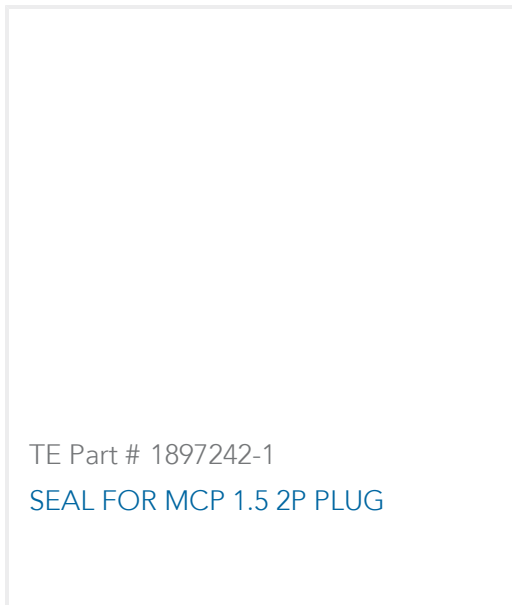
[For compliance documentation, visit the product page on TE.com>](#)

EU RoHS Directive 2011/65/EU	Compliant
EU ELV Directive 2000/53/EC	Compliant
China RoHS 2 Directive MIIT Order No 32, 2016	No Restricted Materials Above Threshold
EU REACH Regulation (EC) No. 1907/2006	Current ECHA Candidate List: JUNE 2024 (241) Candidate List Declared Against: JUNE 2024 (241) Does not contain REACH SVHC
Halogen Content	BFR/CFR/PVC Free, but Br/Cl >900 ppm in other sources.
Solder Process Capability	Not reviewed for solder process capability

Product Compliance Disclaimer

This information is provided based on reasonable inquiry of our suppliers and represents our current actual knowledge based on the information they provided. This information is subject to change. The part numbers that TE has identified as EU RoHS compliant have a maximum concentration of 0.1% by weight in homogenous materials for lead, hexavalent chromium, mercury, PBB, PBDE, DBP, BBP, DEHP, DIBP, and 0.01% for cadmium, or qualify for an exemption to these limits as defined in the Annexes of Directive 2011/65/EU (RoHS2). Finished electrical and electronic equipment products will be CE marked as required by Directive 2011/65/EU. Components may not be CE marked. Additionally, the part numbers that TE has identified as EU ELV compliant have a maximum concentration of 0.1% by weight in homogenous materials for lead, hexavalent chromium, and mercury, and 0.01% for cadmium, or qualify for an exemption to these limits as defined in the Annexes of Directive 2000/53/EC (ELV). Regarding the REACH Regulation, the information TE provides on SVHC in articles for this part number is based on the latest European Chemicals Agency (ECHA) 'Guidance on requirements for substances in articles' posted at this URL: <https://echa.europa.eu/guidance-documents/guidance-on-reach>

Compatible Parts



TE Part # 1897242-1
SEAL FOR MCP 1.5 2P PLUG

Customers Also Bought



TE Part #1-2389770-3
88POS,HYBRID,REC HSG ASSY,
UNSLD,COD B



TE Part #2301127-2
3POS,AMP MCP 2.8,REC HSG ASSY,
SLD



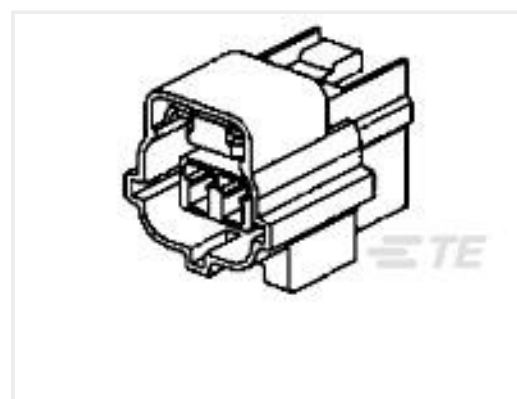
TE Part #2188698-1
020/060 38P PLUG ASSY



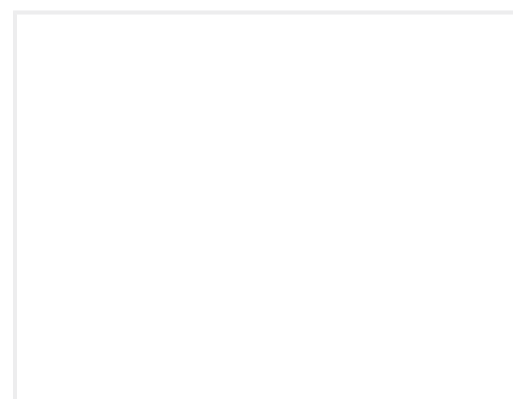
TE Part #CAT-M9194-CH8172
MULTILOCK, CONNECTOR HOUSING



TE Part #CAT-M9194-T273
MULTILOCK, RECEPTACLE AND TAB



TE Part #368261-2
E-S MK-2(+) PLUG 2P ASSY



TE Part #2389775-6
47POS,HYBRID,REC HSG ASSY,RED



TE Part #2366531-2
0.64 SERIES,TERMINAL,025K S

Documents

Product Drawings

MCP 1.5 2P PLUG ASSY GRY

English

CAD Files

3D PDF

3D

Customer View Model

[ENG_CVM_CVM_1897212-3_A.2d_dxf.zip](#)

English

Customer View Model

[ENG_CVM_CVM_1897212-3_A.3d_igs.zip](#)

English

Customer View Model

[ENG_CVM_CVM_1897212-3_A.3d_stp.zip](#)



English

By downloading the CAD file I accept and agree to the [Terms and Conditions](#) of use.

Product Specifications

[Engineering Specification](#)

English

Instruction Sheets

[Instruction Sheet \(non U.S.\)](#)

English