

1887113-3 x OBSOLETE

SCHRACK

TE Internal #: 1887113-3

TE Internal Description: XT374R24

[View on TE.com >](#)



Product Compliance

[For compliance documentation, visit the product page on TE.com>](#)

EU RoHS Directive 2011/65/EU	Compliant
EU ELV Directive 2000/53/EC	Compliant
China RoHS 2 Directive MIIT Order No 32, 2016	No Restricted Materials Above Threshold
EU REACH Regulation (EC) No. 1907/2006	Current ECHA Candidate List: JUNE 2025 (250) Candidate List Declared Against: JUNE 2022 (224) Does not contain REACH SVHC
Halogen Content	Not Low Halogen - contains Br or Cl > 900 ppm.
Solder Process Capability	Not applicable for solder process capability

Product Compliance Disclaimer

This information is provided based on reasonable inquiry of our suppliers and represents our current actual knowledge based on the information they provided. This information is subject to change. The part numbers that TE has identified as EU RoHS compliant have a maximum concentration of 0.1% by weight in homogenous materials for lead, hexavalent chromium, mercury, PBB, PBDE, DBP, BBP, DEHP, DIBP, and 0.01% for cadmium, or qualify for an exemption to these limits as defined in the Annexes of Directive 2011/65/EU (RoHS2). Finished electrical and electronic equipment products will be CE marked as required by Directive 2011/65/EU. Components may not be CE marked. Additionally, the part numbers that TE has identified as EU ELV compliant have a maximum concentration of 0.1% by weight in homogenous materials for lead, hexavalent chromium, and mercury, and 0.01% for cadmium, or qualify for an exemption to these limits as defined in the Annexes of Directive 2000/53/EC (ELV). Regarding the REACH Regulation, the information TE provides on SVHC in articles for this part number is based on the latest European Chemicals Agency (ECHA) 'Guidance on requirements for substances in articles' posted at this URL: <https://echa.europa.eu/guidance-documents/guidance-on-reach>

Customers Also Bought



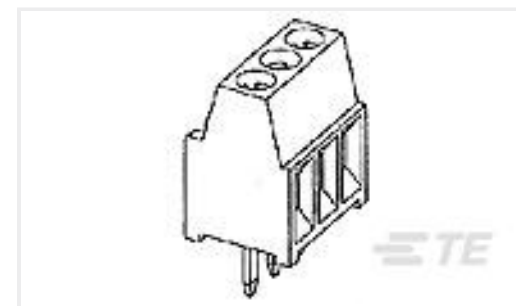
TE Part #34080
PIDG SPD 22-16 COMM 22-18MIL 6



TE Part #8-34162-1
TERMINAL,PG R 16-14 1/4



TE Part #8-35110-1
TERMINAL,PIDG R 12-10 1/4



TE Part #282834-6
TERMI-BLOK PCB MOUNT, 90 6P.



TE Part #6-1393144-0
K10P-11D15-6=K10/K20



TE Part #4-1393789-5
V23079D2003B301



TE Part #5-1609152-3
20SRB1-Y=F8426



TE Part #9-1393792-7
V23105A5303A201



TE Part #9-1393792-1
V23105A5006A201



TE Part #827397-1
CIC SOCKET

Documents

CAD Files

3D PDF

3D

Customer View Model

[ENG_CVM_1887113-3_SHK1.3d_igs.zip](#)

English

Customer View Model

[ENG_CVM_1887113-3_SHK1.3d_stp.zip](#)

English

Customer View Model

[ENG_CVM_1887113-3_SHK1.2d_dxf.zip](#)

English

By downloading the CAD file I accept and agree to the [Terms and Conditions](#) of use.

Datasheets & Catalog Pages

Interface Plug-in Relay XT

English

Accessories - Power Relay XT

English



Product Specifications

Definitions **General Purpose Relays**

English