

184164-1 ✓ ACTIVE

AMP | Sealed Sensor Connector SSC System

TE Internal #: 184164-1

TE Internal Description: 2 POS. CAP HSG., KEY B

[View on TE.com >](#)



Product Compliance

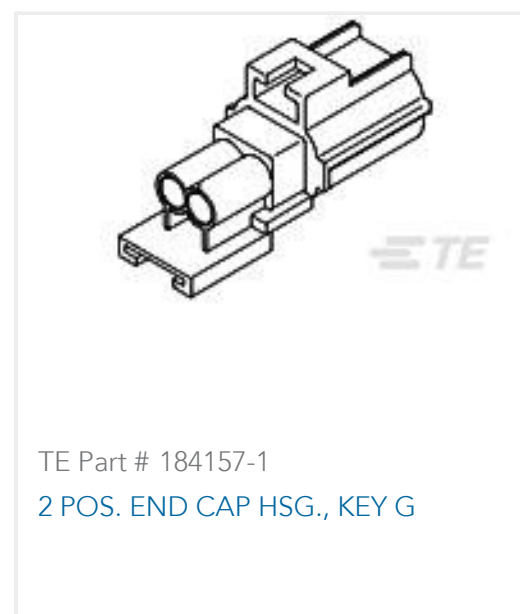
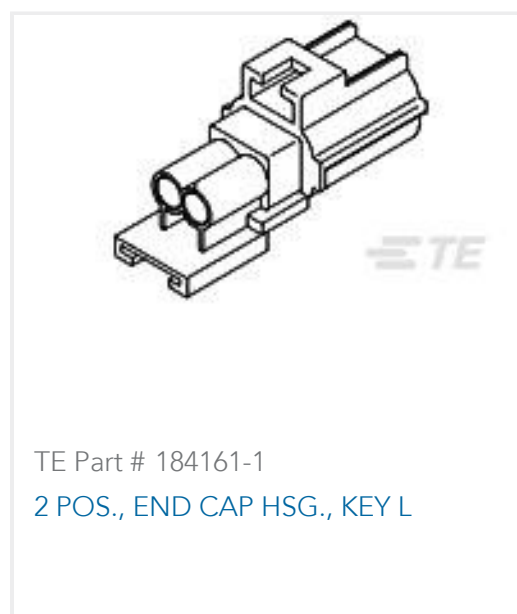
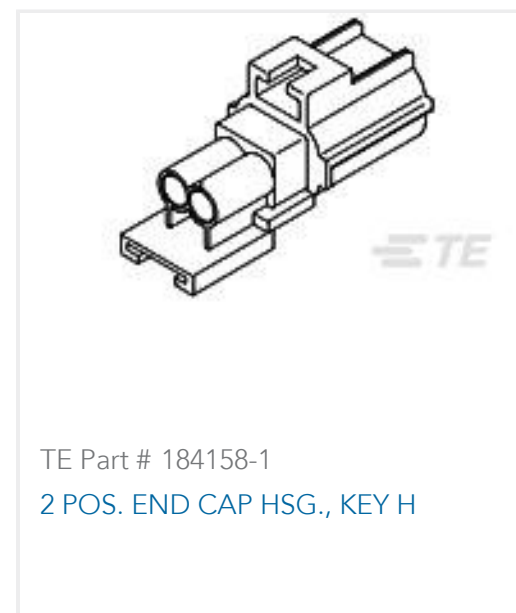
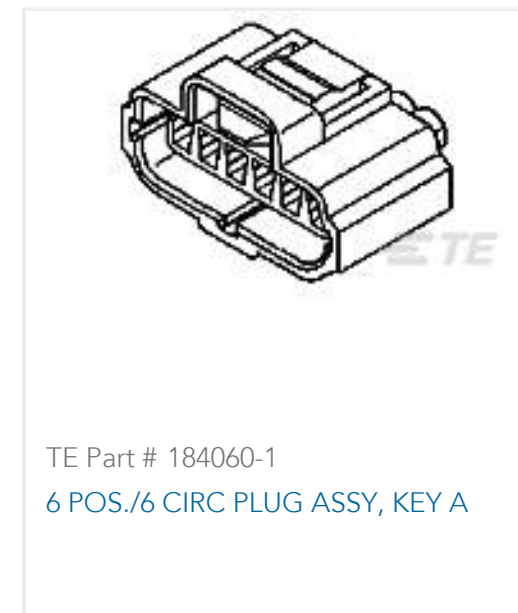
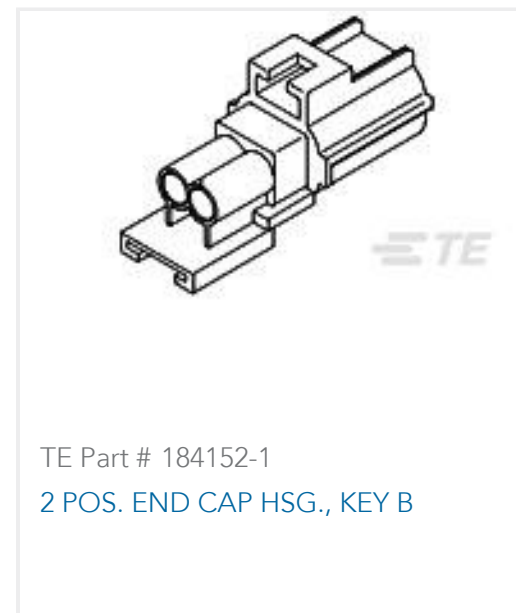
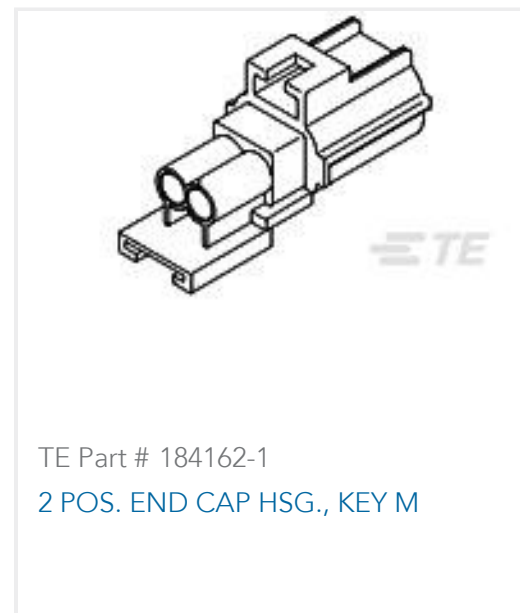
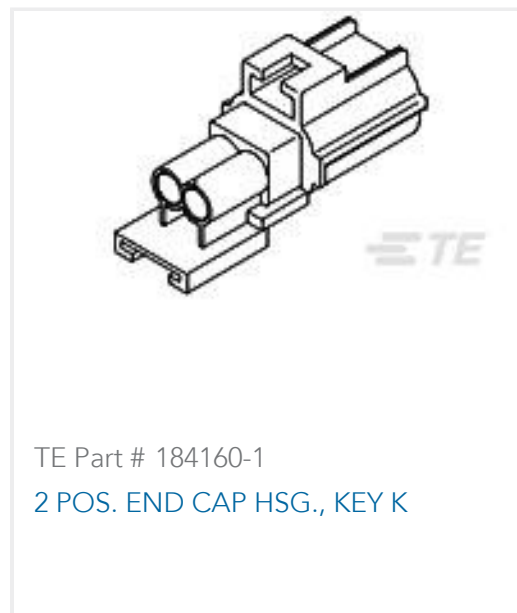
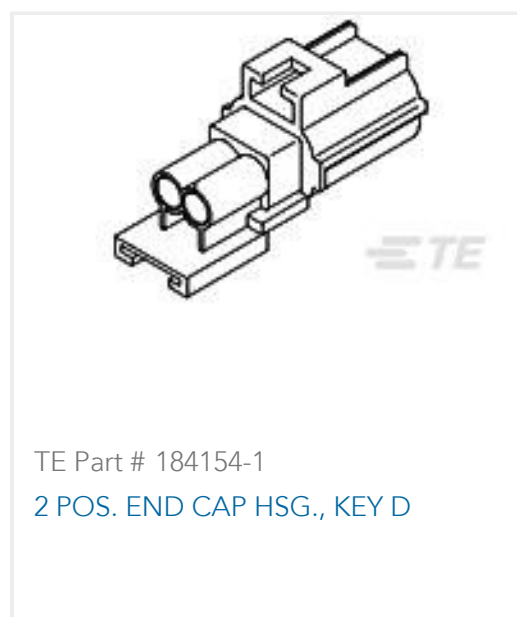
[For compliance documentation, visit the product page on TE.com>](#)

| | |
|---|---|
| EU RoHS Directive 2011/65/EU | Compliant |
| EU ELV Directive 2000/53/EC | Compliant |
| China RoHS 2 Directive MIIT Order No 32, 2016 | No Restricted Materials Above Threshold |
| EU REACH Regulation (EC) No. 1907/2006 | Current ECHA Candidate List: JUNE 2024 (241) Candidate List Declared Against: JUNE 2024 (241) Does not contain REACH SVHC |
| Halogen Content | Low Halogen - Br, Cl, F, I < 900 ppm per homogenous material. Also BFR/CFR/PVC Free |
| Solder Process Capability | Not reviewed for solder process capability |

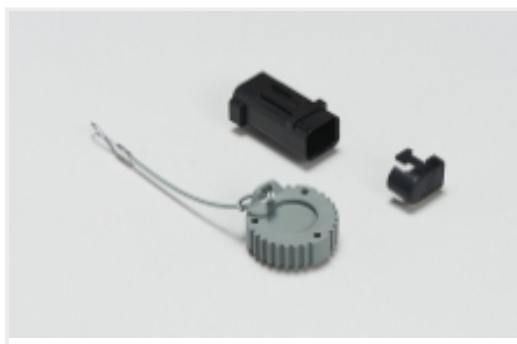
Product Compliance Disclaimer

This information is provided based on reasonable inquiry of our suppliers and represents our current actual knowledge based on the information they provided. This information is subject to change. The part numbers that TE has identified as EU RoHS compliant have a maximum concentration of 0.1% by weight in homogenous materials for lead, hexavalent chromium, mercury, PBB, PBDE, DBP, BBP, DEHP, DIBP, and 0.01% for cadmium, or qualify for an exemption to these limits as defined in the Annexes of Directive 2011/65/EU (RoHS2). Finished electrical and electronic equipment products will be CE marked as required by Directive 2011/65/EU. Components may not be CE marked. Additionally, the part numbers that TE has identified as EU ELV compliant have a maximum concentration of 0.1% by weight in homogenous materials for lead, hexavalent chromium, and mercury, and 0.01% for cadmium, or qualify for an exemption to these limits as defined in the Annexes of Directive 2000/53/EC (ELV). Regarding the REACH Regulation, the information TE provides on SVHC in articles for this part number is based on the latest European Chemicals Agency (ECHA) 'Guidance on requirements for substances in articles' posted at this URL: <https://echa.europa.eu/guidance-documents/guidance-on-reach>

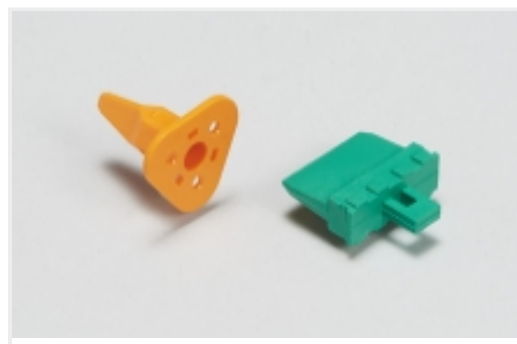
Compatible Parts



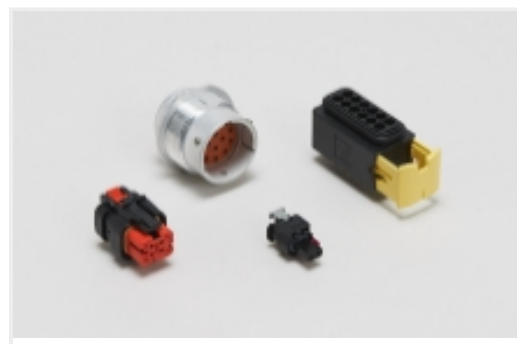
Also in the Series | **Sealed Sensor Connector SSC System**



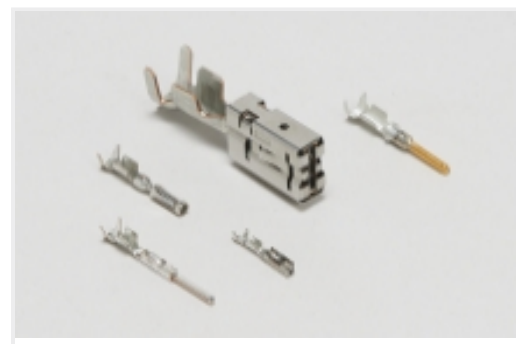
Automotive Connector Caps & Covers (2)



Automotive Connector Locks & Position Assurance(2)



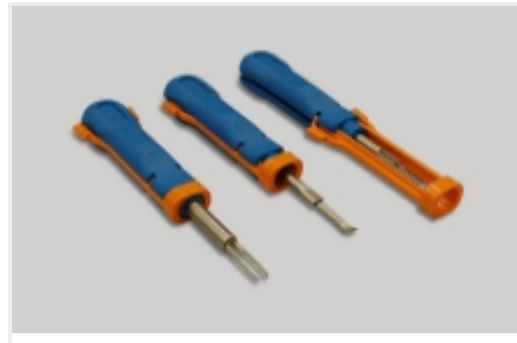
Automotive Housings(34)



Automotive Terminals(5)

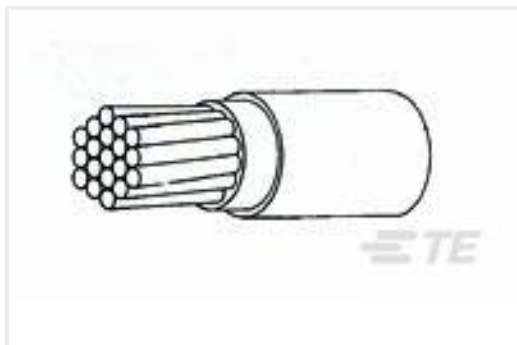


Connector Seals & Cavity Plugs(4)



Insertion & Extraction Tools(1)

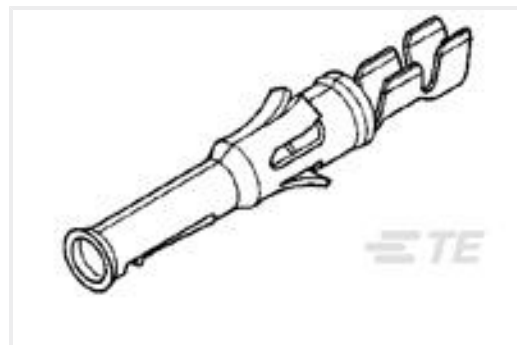
Customers Also Bought



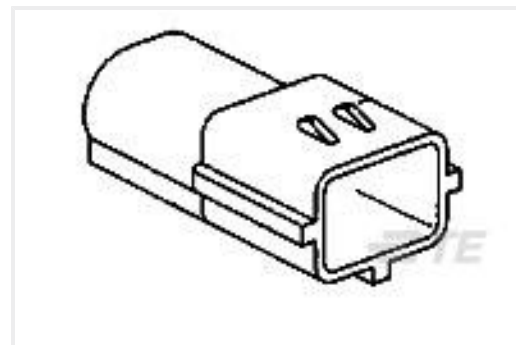
TE Part #282301-002
44A0211-8-9



TE Part #2329383-3
PB OFF/ON FC YLW M1 TERM. IP68



TE Part #1-66584-0
TYPE VI SOCKET,MULTI-MATE



TE Part #174354-2
070 ECONOSEAL MARK-2 CAP 2P



TE Part #184002-1
2 POS. PLUG ASSY, KEY B, GRAY



TE Part #2-36161-6
TERMINAL,PIDG R IR 10 6



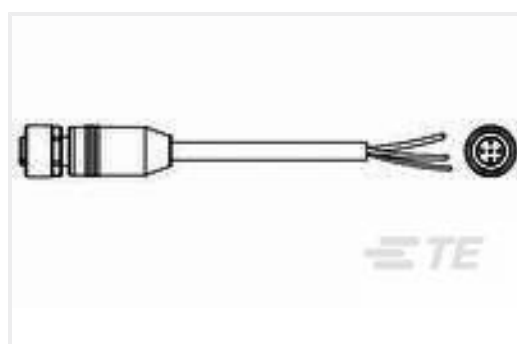
TE Part #CW5506-000
SHF260-0113-8-9



TE Part #1-480393-1
02P CMNL PLUG HSG F/H BLK



TE Part #6-1879352-8
RR02 5% 200R AMMO



TE Part #2273045-1
M12 x 1.0 straight socket pigt shld A

Documents



Product Drawings

2 POS. CAP HSG., KEY B

English

CAD Files

3D PDF

English

Customer View Model

[ENG_CVM_184164-1_A.2d_dxf.zip](#)

English

Customer View Model

[ENG_CVM_184164-1_A.3d_igs.zip](#)

English

Customer View Model

[ENG_CVM_184164-1_A.3d_stp.zip](#)

English

By downloading the CAD file I accept and agree to the [Terms and Conditions](#) of use.

Product Specifications

Application Specification

English