

184141-1 ✓ ACTIVE

AMP | Sealed Sensor Connector SSC System

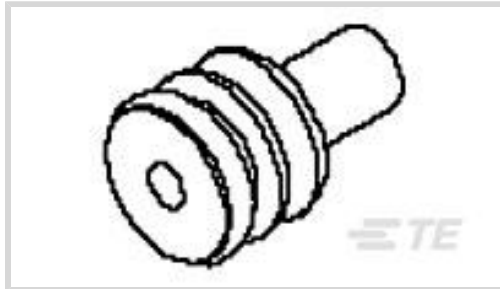
TE Internal #: 184141-1

Single Wire Seal (SWS), 4.4 mm [.173 in] Cavity Diameter, -40 – 130 °C [-40 – 266 °F], Purple, Silicone, Sealed Sensor Connector SSC System

[View on TE.com >](#)



Connectors > Connector Accessories > Connector Seals & Cavity Plugs



Connector Seal & Plug Type: **Single Wire Seal (SWS)**

Cavity Diameter: **4.4 mm [.173 in]**

Operating Temperature Range: **-40 – 130 °C [-40 – 266 °F]**

Primary Product Color: **Purple**

Primary Product Material: **Silicone**

### Features

#### Product Type Features

Connector Seal & Plug Type	Single Wire Seal (SWS)
----------------------------	------------------------

#### Body Features

Primary Product Color	Purple
Primary Product Material	Silicone

#### Dimensions

Cavity Diameter	4.4 mm [.173 in]
Compatible Insulation Diameter Range	2.2 – 2.7 mm [.087 – .106 in]

#### Usage Conditions

Operating Temperature Range	-40 – 130 °C [-40 – 266 °F]
Operating Temperature (Max)	130 °C [266 °F]

#### Other

Resistance to Hydrocarbons	Poor
Shore A Hardness	40
Contains Lubricant	Yes

### Product Compliance

[For compliance documentation, visit the product page on TE.com >](#)

EU RoHS Directive 2011/65/EU	Compliant
------------------------------	-----------

EU ELV Directive 2000/53/EC

Compliant

China RoHS 2 Directive MIIT Order No 32, 2016

有害物质含量符合标准要求 No Restricted Substance(s) Above Threshold

EU REACH Regulation (EC) No. 1907/2006

Current ECHA Candidate List: JUNE 2025 (250)  
Candidate List Declared Against: JUNE 2025 (250)  
Does not contain REACH SVHC

Halogen Content

Low Halogen - Br, Cl, F < 900 ppm per homogenous material. Also BFR/CFR/PVC Free

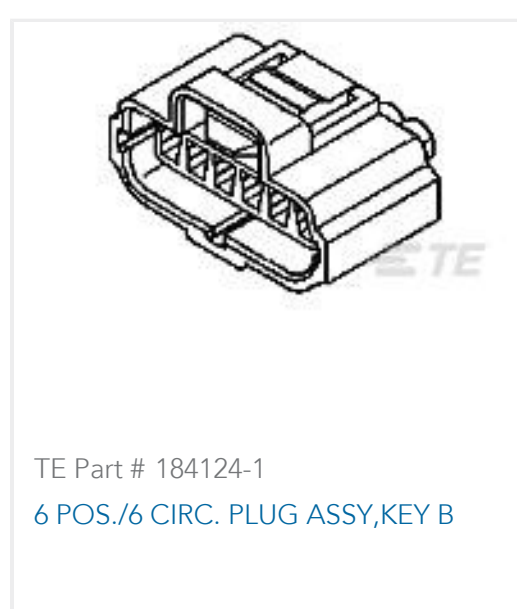
Solder Process Capability

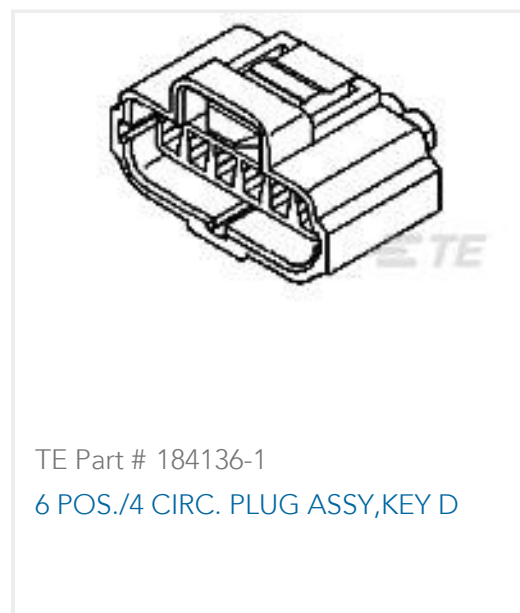
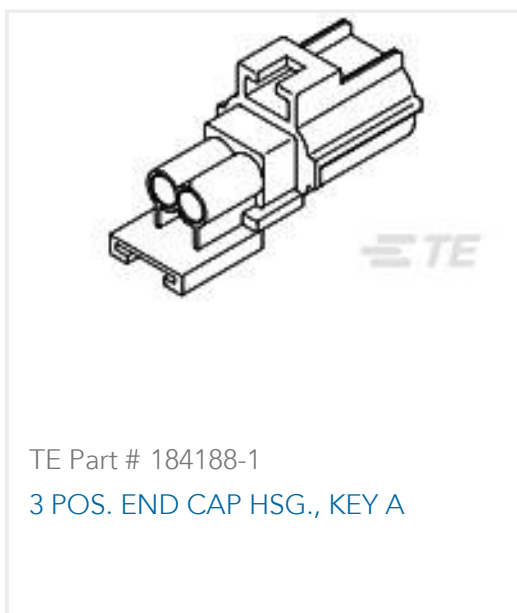
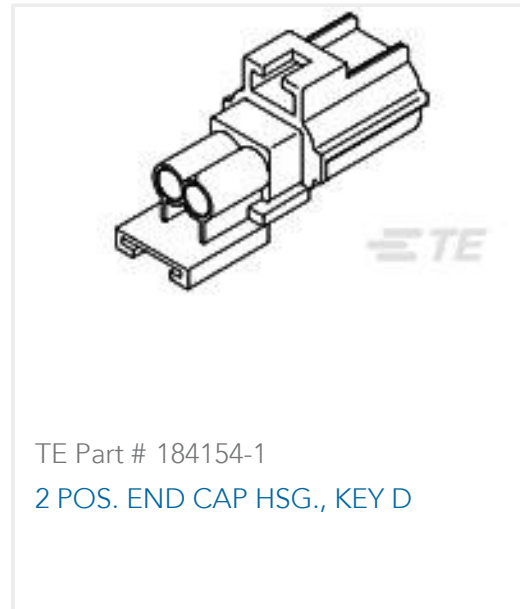
Not reviewed for solder process capability

Product Compliance Disclaimer

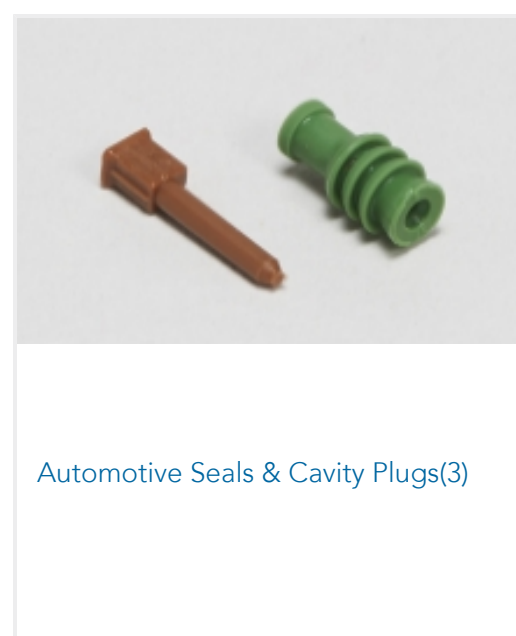
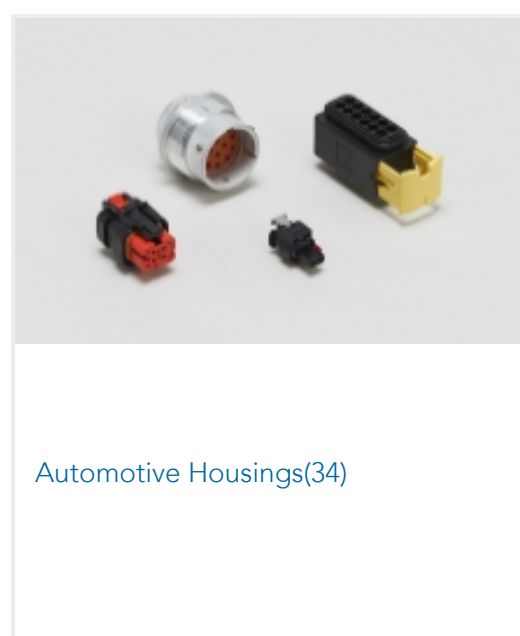
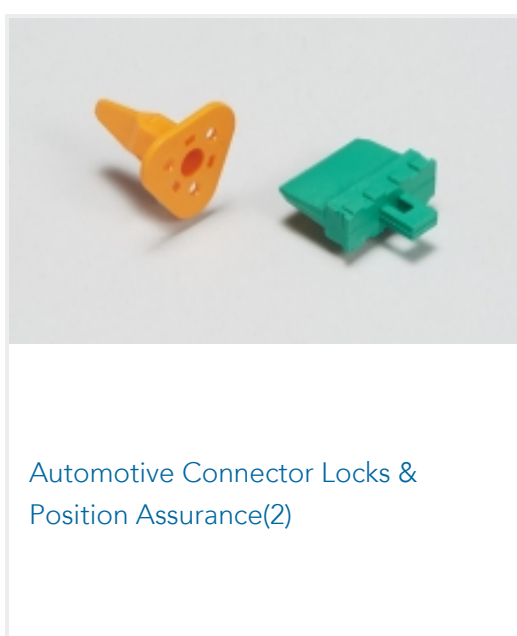
This information is provided based on reasonable inquiry of our suppliers and represents our current actual knowledge based on the information they provided. This information is subject to change. The part numbers that TE has identified as EU RoHS compliant have a maximum concentration of 0.1% by weight in homogenous materials for lead, hexavalent chromium, mercury, PBB, PBDE, DBP, BBP, DEHP, DIBP, and 0.01% for cadmium, or qualify for an exemption to these limits as defined in the Annexes of Directive 2011/65/EU (RoHS2). Finished electrical and electronic equipment products will be CE marked as required by Directive 2011/65/EU. Components may not be CE marked. Additionally, the part numbers that TE has identified as EU ELV compliant have a maximum concentration of 0.1% by weight in homogenous materials for lead, hexavalent chromium, and mercury, and 0.01% for cadmium, or qualify for an exemption to these limits as defined in the Annexes of Directive 2000/53/EC (ELV). Regarding the REACH Regulation, the information TE provides on SVHC in articles for this part number is based on the latest European Chemicals Agency (ECHA) 'Guidance on requirements for substances in articles' posted at this URL: <https://echa.europa.eu/guidance-documents/guidance-on-reach>

## Compatible Parts





Also in the Series | **Sealed Sensor Connector SSC System**



Customers Also Bought





## Documents

### Product Drawings

WIRE SEAL,RUBBER,SENSOR,PURPLE,LIM

English

### CAD Files

3D PDF

English

Customer View Model

[ENG\\_CVM\\_184141-1\\_B.2d\\_dxf.zip](#)

English

Customer View Model

[ENG\\_CVM\\_184141-1\\_B.3d\\_igs.zip](#)

English

Customer View Model

[ENG\\_CVM\\_184141-1\\_B.3d\\_stp.zip](#)

English

By downloading the CAD file I accept and agree to the [Terms and Conditions](#) of use.

### Product Specifications

Application Specification

English