

1825955-2 ✓ ACTIVE

ALCOSWITCH | ALCOSWITCH FSM

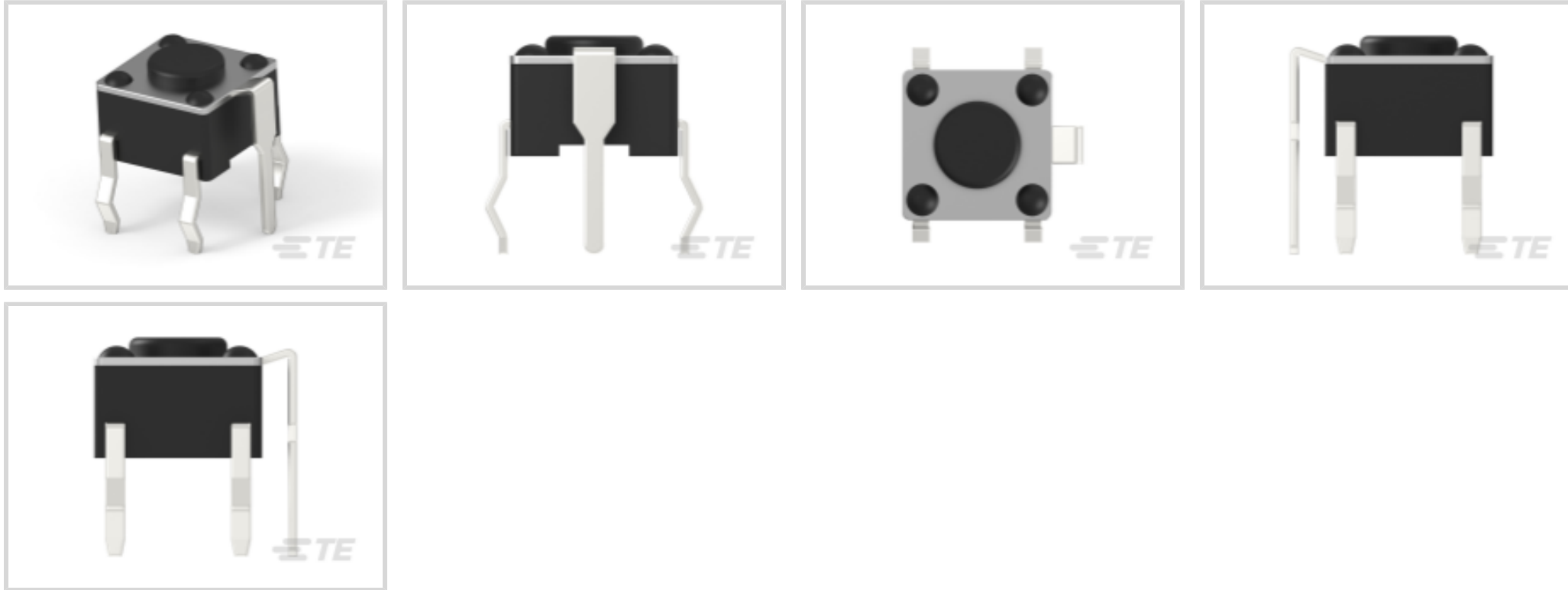
TE Internal #: 1825955-2

50 mA Tactile Switch, Round Actuator, NO, Copper Alloy, Silver Contact Plating, Low Profile, 24 VDC, ALCOSWITCH FSM

[View on TE.com >](#)



Switches > Tactile Switches



Actuator Style: **Round Actuator**

Operating Function: **NO**

Contact Base Material: **Copper Alloy**

Switch Contact Plating Material: **Silver**

Low Profile: **With**

Features

Product Type Features

Leg Style	Kinked
Switch Connection Type	Printed Circuit Board
Illuminated	With
Actuator Style	Round Actuator

Configuration Features

Switch Feedback Type	Tactile
ESD Grounding Terminal	With
Ganged	With
Operating Function	NO
Support Bracket	Without
Configuration (Pole-Throw)	Single Pole - Single Throw
Number of Actuators	Single

Electrical Characteristics

Operating Voltage	24 VDC
-------------------	--------



Body Features

Case Material	Polyamide
Actuator Profile	Extended
Case Color	Black
Actuator Material	PBT
Cover Material	Steel
Actuator Force	160 g[5.64 oz]
Product Orientation	Vertical
Actuator Color	Brown

Contact Features

Contact Base Material	Copper Alloy
Switch Contact Plating Material	Silver
Contact Current Rating	50 mA

Termination Features

Termination Method to PCB	Through Hole - Solder
---------------------------	-----------------------

Housing Features

Low Profile	With
Process Sealed	No

Dimensions

Button Width	3.5 mm[.138 in]
Product Height	4.3 mm[.169 in]
Actuator Length	.7 mm[.028 in]

Usage Conditions

Operating Temperature Range	-35 – 85 °C[-31 – 185 °F]
-----------------------------	---------------------------

Packaging Features

Packaging Method	Loose Piece
------------------	-------------

Product Compliance

[For compliance documentation, visit the product page on TE.com>](#)

EU RoHS Directive 2011/65/EU	Compliant
EU ELV Directive 2000/53/EC	Compliant
China RoHS 2 Directive MIIT Order No 32, 2016	No Restricted Materials Above Threshold



EU REACH Regulation (EC) No. 1907/2006

Current ECHA Candidate List: JUNE 2025 (250)

Candidate List Declared Against: JUNE 2025 (250)

Does not contain REACH SVHC

Halogen Content

Low Halogen - Br, Cl, F < 900 ppm per homogenous material. Also BFR/CFR/PVC Free

Solder Process Capability

Wave solder capable to 265°C

Product Compliance Disclaimer

This information is provided based on reasonable inquiry of our suppliers and represents our current actual knowledge based on the information they provided. This information is subject to change. The part numbers that TE has identified as EU RoHS compliant have a maximum concentration of 0.1% by weight in homogenous materials for lead, hexavalent chromium, mercury, PBB, PBDE, DBP, BBP, DEHP, DIBP, and 0.01% for cadmium, or qualify for an exemption to these limits as defined in the Annexes of Directive 2011/65/EU (RoHS2). Finished electrical and electronic equipment products will be CE marked as required by Directive 2011/65/EU. Components may not be CE marked. Additionally, the part numbers that TE has identified as EU ELV compliant have a maximum concentration of 0.1% by weight in homogenous materials for lead, hexavalent chromium, and mercury, and 0.01% for cadmium, or qualify for an exemption to these limits as defined in the Annexes of Directive 2000/53/EC (ELV). Regarding the REACH Regulation, the information TE provides on SVHC in articles for this part number is based on the latest European Chemicals Agency (ECHA) 'Guidance on requirements for substances in articles' posted at this URL: <https://echa.europa.eu/guidance-documents/guidance-on-reach>

Compatible Parts




TE Part # 2-1825910-7
FSM14JH=6MM TACT SWITCH, HIGH TEMP



TE Part # 3-1437565-0
FSM2JSMATR=ON T/R




TE Part # 4-1437565-2
FSM4JSMATR=TACT SWITCH 6X6MIL



TE Part # 1-1825955-0
FSM5JH=6MM TACT SWITCH, HT W /ESD




TE Part # 1825910-6
FSM4JH=6MM TACT SWITCH, HIGH TEMP



TE Part # 2-1825955-6
FSM13JH=6MM TACT SWITCH, HT W /ESD

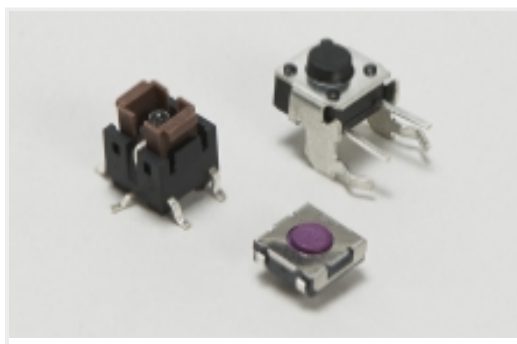


TE Part # 2-1977223-8
FSM14JSMAS=6MM TACT SWITCH, SMT 160gf



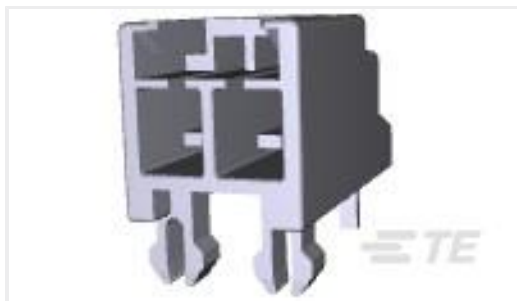
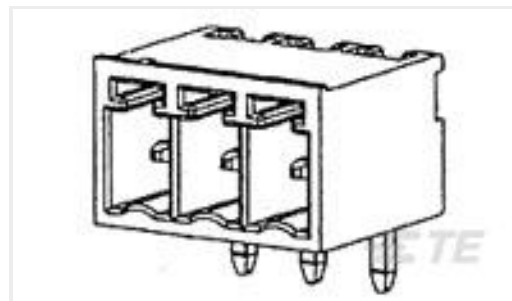
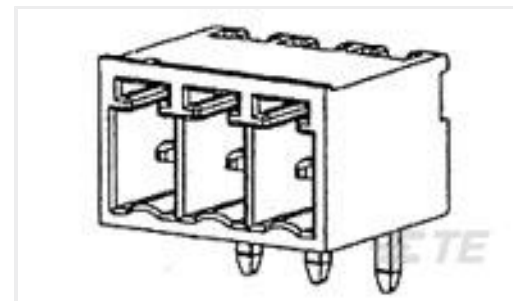
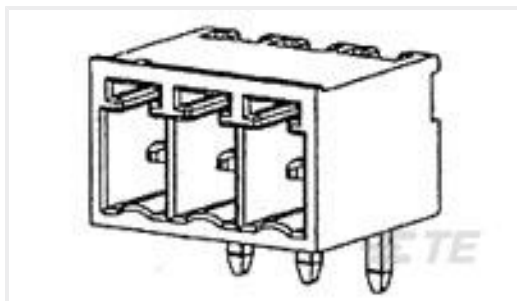
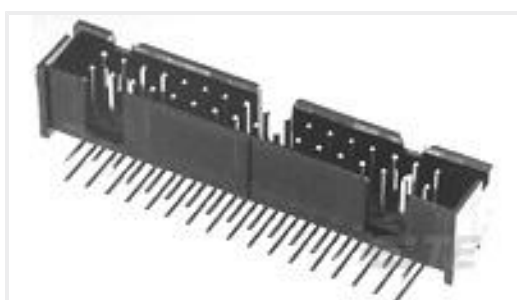
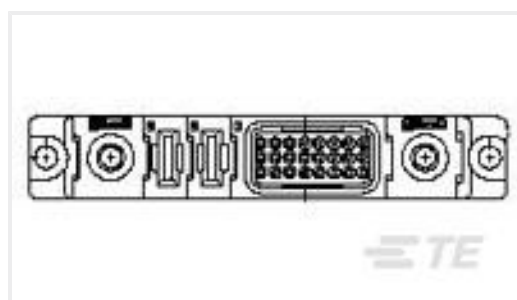
TE Part # 3-1825955-1
FSM15JAH=6MM TACT SWITCH, HT W/ESD

Also in the Series | **ALCOSWITCH FSM**



Tactile Switches(58)

Customers Also Bought

TE Part #178495-1
UP 3.96 2P DIP HDR NATTE Part #194009-1
PIN ASSY..070TE Part #284513-3
3 POS TERMI-BLOK HDR 900 POL.TE Part #284513-4
4 POS TERMI-BLOK HDR 900 POL.TE Part #284513-6
6 POS TERMI-BLOK HDR 900 POL.TE Part #1-292303-6
Std USB Type A, R/A, SMT, OffsetTE Part #350434-1
15P UMNL PIN HDR ASSY NATLTE Part #640453-3
03P MTA100 HDR ASSY SQ R/ATE Part #5103310-7
A/L LOW PRO HDR 34P RA BLACKTE Part #6646597-1
278-0933-10200A=CONN,SKT

Documents

Product Drawings

[FSM1JH=6MM TACT SWITCH, HT W/ESD](#)

English

CAD Files

[3D PDF](#)

3D

[Customer View Model](#)

[ENG_CVM_CVM_1825955-2_B.2d_dxf.zip](#)



English

Customer View Model

[ENG_CVM_CVM_1825955-2_B.3d_igs.zip](#)

English

Customer View Model

[ENG_CVM_CVM_1825955-2_B.3d_stp.zip](#)

English

By downloading the CAD file I accept and agree to the [Terms and Conditions](#) of use.

Datasheets & Catalog Pages

Tactile Switches

English

[8-1773450-9_SWITCHES_CATALOG_SECTION_C_TACTILE_SWITCHES](#)

English