

1825604-1 ✓ ACTIVE

Alcoswitch | Alcoswitch FCR

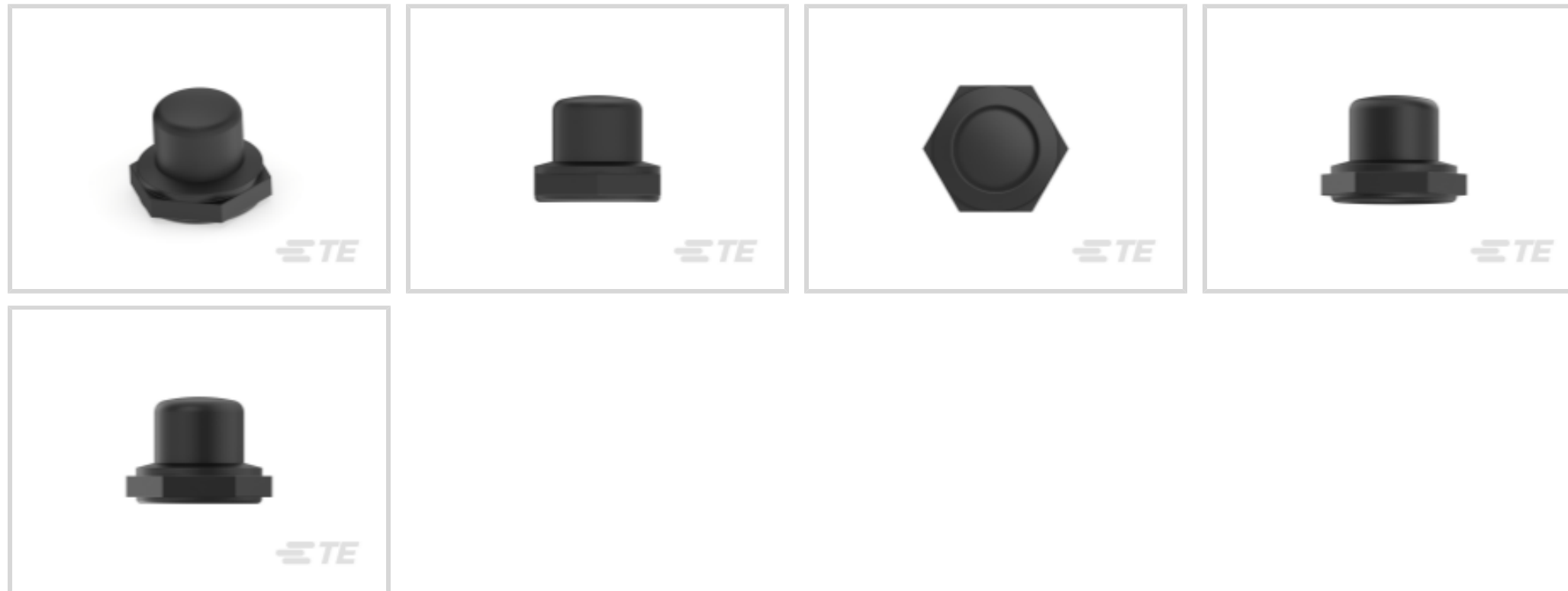
TE Internal #: 1825604-1

Pushbutton Switch Boot Seal, Round, Black, Alcoswitch FCR, Switch
Seals & Accessories

[View on TE.com >](#)



Switches > Switch Seals & Accessories



Switch Accessory Type: **Pushbutton Switch Boot Seal**

Product Shape: **Round**

Primary Product Color: **Black**

EU RoHS Compliance: **Compliant with Exemptions**

EU ELV Compliance: **Compliant with Exemptions**

Features

Packaging Features

Packaging Method	Bag/Box
------------------	---------

Mechanical Attachment

Thread Size	1/4 – 40 UNS-2B
-------------	-----------------

Configuration Features

Switch Feedback Type	Non-Tactile
----------------------	-------------

Product Type Features

Switch Accessory Type	Pushbutton Switch Boot Seal
Product Shape	Round

Body Features

Primary Product Color	Black
-----------------------	-------

Other

EU RoHS Compliance	Compliant with Exemptions
EU ELV Compliance	Compliant with Exemptions



Product Compliance

[For compliance documentation, visit the product page on TE.com>](#)

EU RoHS Directive 2011/65/EU	Compliant with Exemptions
EU ELV Directive 2000/53/EC	Compliant with Exemptions
China RoHS 2 Directive MIIT Order No 32, 2016	Restricted Materials Above Threshold
EU REACH Regulation (EC) No. 1907/2006	<p>Current ECHA Candidate List: JUNE 2024 (241)</p> <p>Candidate List Declared Against: JUNE 2024 (241)</p> <p>SVHC > Threshold:</p> <p>Pb (1.36% in Component Part)</p> <p>DCP (.4% in Component Part)</p> <p>Article Safe Usage Statements: Do not eat, drink or smoke when using this product. Wash thoroughly after handling. Recycle if possible and dispose of the article by following all applicable governmental regulations relevant to your geographic location.</p>
Halogen Content	Low Halogen - Br, Cl, F, I < 900 ppm per homogenous material. Also BFR/CFR/PVC Free
Solder Process Capability	Not applicable for solder process capability

Product Compliance Disclaimer

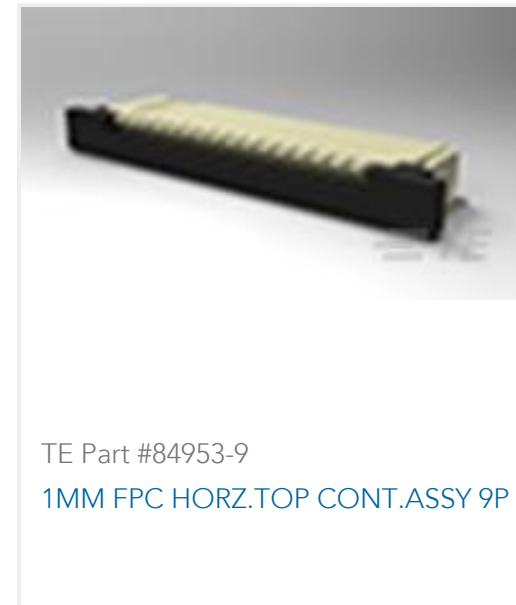
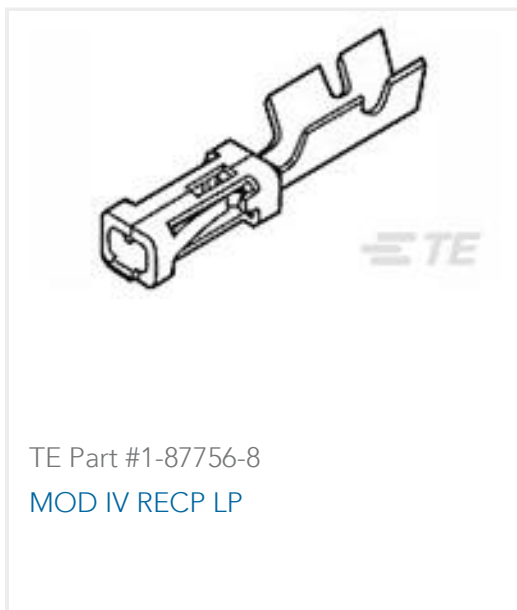
This information is provided based on reasonable inquiry of our suppliers and represents our current actual knowledge based on the information they provided. This information is subject to change. The part numbers that TE has identified as EU RoHS compliant have a maximum concentration of 0.1% by weight in homogenous materials for lead, hexavalent chromium, mercury, PBB, PBDE, DBP, BBP, DEHP, DIBP, and 0.01% for cadmium, or qualify for an exemption to these limits as defined in the Annexes of Directive 2011/65/EU (RoHS2). Finished electrical and electronic equipment products will be CE marked as required by Directive 2011/65/EU. Components may not be CE marked. Additionally, the part numbers that TE has identified as EU ELV compliant have a maximum concentration of 0.1% by weight in homogenous materials for lead, hexavalent chromium, and mercury, and 0.01% for cadmium, or qualify for an exemption to these limits as defined in the Annexes of Directive 2000/53/EC (ELV). Regarding the REACH Regulation, the information TE provides on SVHC in articles for this part number is based on the latest European Chemicals Agency (ECHA) 'Guidance on requirements for substances in articles' posted at this URL: <https://echa.europa.eu/guidance-documents/guidance-on-reach>

Also in the Series | [Alcoswitch FCR](#)



[Switch Seals & Accessories\(8\)](#)

Customers Also Bought



Documents

Product Drawings

[BPA1440004=Boot,Pushbutton](#)

English

CAD Files

Customer View Model

[ENG_CVM_CVM_1825604-1_B1.3d_igs.zip](#)

English

Customer View Model

[ENG_CVM_CVM_1825604-1_B1.3d_stp.zip](#)

English

Customer View Model

[ENG_CVM_CVM_1825604-1_B1.2d_dxf.zip](#)

English

[3D PDF](#)

3D

By downloading the CAD file I accept and agree to the [Terms and Conditions](#) of use.