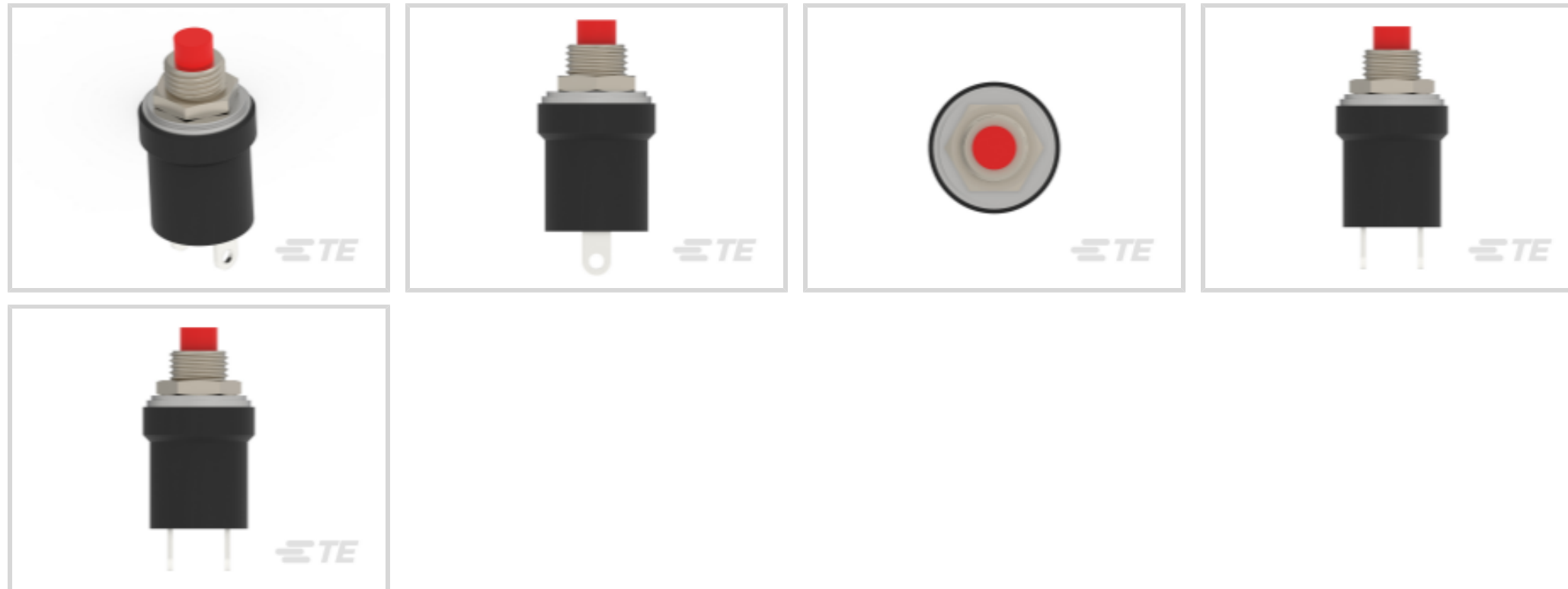




Switches > Push Button Switches



Push Button Switch Product Type: **General Purpose Push Button Switch**

Configuration (Pole-Throw): **Single Pole - Single Throw**

Number of Actuators: **Single**

Actuator Profile: **Extended**

Bushing Style: **Threaded**

### Features

#### Usage Conditions

|                             |             |
|-----------------------------|-------------|
| Operating Temperature Range | -20 – 80 °C |
|-----------------------------|-------------|

#### Packaging Features

|                  |      |
|------------------|------|
| Packaging Method | Bulk |
|------------------|------|

#### Dimensions

|                 |                  |
|-----------------|------------------|
| Button Width    | 3.98 mm[.157 in] |
| Bushing Length  | 5.94 mm[.234 in] |
| Actuator Length | 2.5 mm[.098 in]  |

#### Contact Features

|                                 |              |
|---------------------------------|--------------|
| Contact Base Material           | Copper Alloy |
| Switch Contact Plating Material | Silver       |

#### Housing Features

|                |    |
|----------------|----|
| Low Profile    | No |
| Process Sealed | No |



### Body Features

|                     |               |
|---------------------|---------------|
| Case Material       | Phenol Resin  |
| Actuator Material   | Thermoplastic |
| Product Orientation | Vertical      |
| Actuator Profile    | Extended      |
| Bushing Style       | Threaded      |
| Bushing Thread Size | 1/4-40        |
| Actuator Color      | Red           |

### Configuration Features

|                            |                            |
|----------------------------|----------------------------|
|                            | .253 in                    |
| Configuration (Pole-Throw) | Single Pole - Single Throw |
| Number of Actuators        | Single                     |
| Snap Action                | Without                    |
| Support Bracket            | Without                    |
| Switch Feedback Type       | Non-Tactile                |
| Operating Function         | NO, Momentary              |

### Product Type Features

|                                 |                                    |
|---------------------------------|------------------------------------|
| Switch Connection Type          | Wire Lugs                          |
| Push Button Switch Product Type | General Purpose Push Button Switch |
| Illuminated                     | Without                            |
| Actuator Style                  | Round Actuator                     |

### Electrical Characteristics

|                         |         |
|-------------------------|---------|
| Contact Current Rating  | 3 A     |
| Operating Voltage Range | 125 VAC |

### Other

|                    |                           |
|--------------------|---------------------------|
| EU RoHS Compliance | Compliant with Exemptions |
| EU ELV Compliance  | Compliant with Exemptions |

### Product Compliance

[For compliance documentation, visit the product page on TE.com>](#)

|                              |                           |
|------------------------------|---------------------------|
| EU RoHS Directive 2011/65/EU | Compliant with Exemptions |
| EU ELV Directive 2000/53/EC  | Compliant with Exemptions |

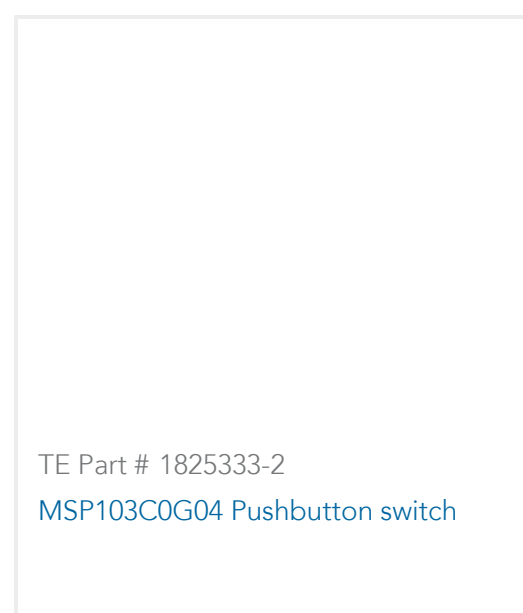


|   |   |
|---|---|
| China RoHS 2 Directive MIIT Order No 32, 2016 | Restricted Materials Above Threshold  |
| EU REACH Regulation (EC) No. 1907/2006        | Current ECHA Candidate List: JUNE 2024 (241)<br>Candidate List Declared Against: JUNE 2024 (241)<br>SVHC > Threshold:<br>Pb (1.82% in Component Part)<br><b>Article Safe Usage Statements:</b><br>Do not eat, drink or smoke when using this product. Wash thoroughly after handling. Recycle if possible and dispose of the article by following all applicable governmental regulations relevant to your geographic location. |
| Halogen Content                               | Low Halogen - Br, Cl, F, I < 900 ppm per homogenous material. Also BFR/CFR/PVC Free   |
| Solder Process Capability                     | Hand solderable with lead free solder   |

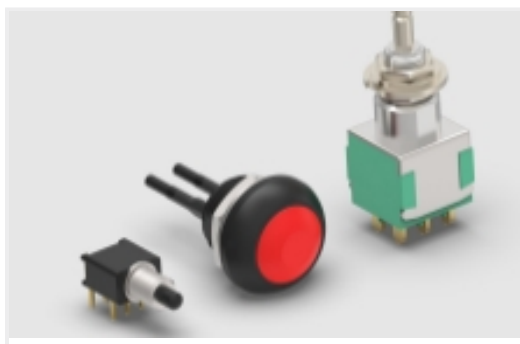
Product Compliance Disclaimer

This information is provided based on reasonable inquiry of our suppliers and represents our current actual knowledge based on the information they provided. This information is subject to change. The part numbers that TE has identified as EU RoHS compliant have a maximum concentration of 0.1% by weight in homogenous materials for lead, hexavalent chromium, mercury, PBB, PBDE, DBP, BBP, DEHP, DIBP, and 0.01% for cadmium, or qualify for an exemption to these limits as defined in the Annexes of Directive 2011/65/EU (RoHS2). Finished electrical and electronic equipment products will be CE marked as required by Directive 2011/65/EU. Components may not be CE marked. Additionally, the part numbers that TE has identified as EU ELV compliant have a maximum concentration of 0.1% by weight in homogenous materials for lead, hexavalent chromium, and mercury, and 0.01% for cadmium, or qualify for an exemption to these limits as defined in the Annexes of Directive 2000/53/EC (ELV). Regarding the REACH Regulation, the information TE provides on SVHC in articles for this part number is based on the latest European Chemicals Agency (ECHA) 'Guidance on requirements for substances in articles' posted at this URL: <https://echa.europa.eu/guidance-documents/guidance-on-reach>

### Compatible Parts



### Also in the Series | Alcoswitch MSP3



General Purpose Push Button Switches (4)



Push Button Switches(4)

## Customers Also Bought



TE Part #1676480-2  
CRG0402 1% 100R



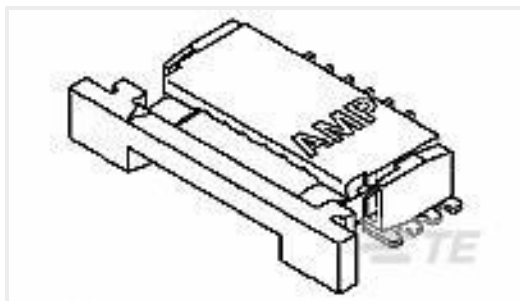
TE Part #61174-1  
CMNL PIN L/P PTBR



TE Part #5-1478763-2  
Metal backshell 15 way 45 Deg Entry-KIT



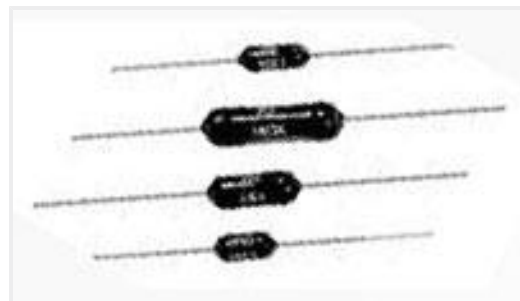
TE Part #3-1437622-6  
KN1751B1/4=KNOB BLK KNURL L/HA-KIT



TE Part #2-84952-0  
1MM FPC HORZ.BTMM CONT.ASS.20P



TE Part #8-1676915-0  
YR1 0.1% 140K



TE Part #8-1879664-7  
H8 9K09 0.1% 15PPM



TE Part #327043  
PG SPD 22-16 COMM 22-18 MIL 6



TE Part #5-1676914-9  
YR1 0.1% 54K9



TE Part #6-1437558-8  
MTE106D=(MSTE) SW TOG WATERPRO

## Documents

### Product Drawings

[MSP103C04](#)

English

### CAD Files

[3D PDF](#)

3D

### Customer View Model

[ENG\\_CVM\\_CVM\\_1825516-2\\_C.2d\\_dxf.zip](#)



English

**Customer View Model**

[ENG\\_CVM\\_CVM\\_1825516-2\\_C.3d\\_igs.zip](#)

English

**Customer View Model**

[ENG\\_CVM\\_CVM\\_1825516-2\\_C.3d\\_stp.zip](#)

English

By downloading the CAD file I accept and agree to the [Terms and Conditions](#) of use.