



Alcoswitch | Alcoswitch MSS

TE Internal #: 1825268-2

.4 A Slide Switch, Four Pole - Three Throw, Right Angle, Copper Alloy, Single Actuator, 3 Position, On On On, 20 VDC, Alcoswitch MSS

[View on TE.com >](#)

Switches > Slide Switches



Contact Current Rating: **.4 A**

Configuration (Pole-Throw): **Four Pole - Three Throw**

Product Orientation: **Right Angle**

Contact Base Material: **Copper Alloy**

Number of Actuators: **Single**

Features

Industry Standards

UL Flammability Rating	UL 94HB
------------------------	---------

Packaging Features

Packaging Method	Tray
------------------	------

Dimensions

Product Width	8.4 mm[.331 in]
Product Length	22 mm[.866 in]
Actuator Length	4.2 mm[.165 in]

Other

Grade	Instrumentation
EU RoHS Compliance	Compliant
EU ELV Compliance	Compliant

Termination Features

Termination Post & Tail Length	3 mm[.118 in]
Termination Method to PCB	Through Hole - Solder

Body Features

Actuator Orientation	Side
Actuator Travel	2 mm[.079 in]
Product Orientation	Right Angle



Actuator Profile	Extended
Actuator Material	POM
Actuator Color	Black

Configuration Features

Terminals Connected	1-2, 5-6, 9-10, 13-14
Configuration (Pole-Throw)	Four Pole - Three Throw
Number of Actuators	Single
Number of Positions	3
Operating Function	On On On

Electrical Characteristics

Contact Current Rating	.4 A
Operating Voltage	20 VDC

Contact Features

Contact Base Material	Copper Alloy
Switch Contact Plating Material	Gold

Product Compliance

[For compliance documentation, visit the product page on TE.com>](#)

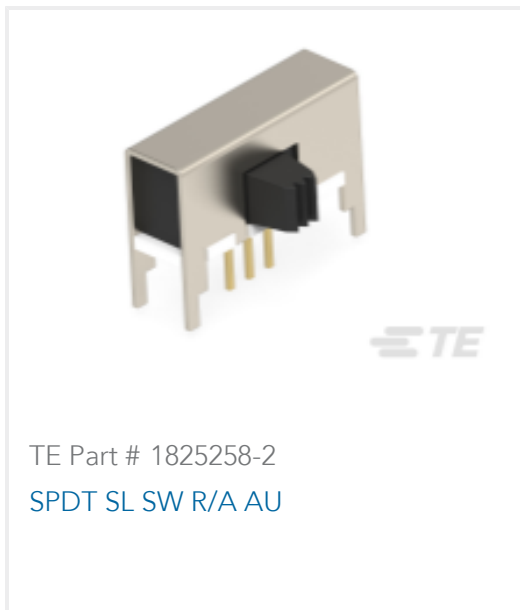
EU RoHS Directive 2011/65/EU	Compliant
EU ELV Directive 2000/53/EC	Compliant
China RoHS 2 Directive MIIT Order No 32, 2016	No Restricted Materials Above Threshold
EU REACH Regulation (EC) No. 1907/2006	Current ECHA Candidate List: JUNE 2024 (241) Candidate List Declared Against: JUNE 2024 (241) Does not contain REACH SVHC
Halogen Content	Low Halogen - Br, Cl, F, I < 900 ppm per homogenous material. Also BFR/CFR/PVC Free
Solder Process Capability	Wave solder capable to 265°C

Product Compliance Disclaimer

This information is provided based on reasonable inquiry of our suppliers and represents our current actual knowledge based on the information they provided. This information is subject to change. The part numbers that TE has identified as EU RoHS compliant have a maximum concentration of 0.1% by weight in homogenous materials for lead, hexavalent chromium, mercury, PBB, PBDE, DBP, BBP, DEHP, DIBP, and 0.01% for cadmium, or qualify for an exemption to these limits as defined in the Annexes of Directive 2011/65/EU (RoHS2). Finished electrical and electronic equipment products will be CE marked as required by Directive 2011/65/EU. Components may not be CE marked. Additionally, the part

numbers that TE has identified as EU ELV compliant have a maximum concentration of 0.1% by weight in homogenous materials for lead, hexavalent chromium, and mercury, and 0.01% for cadmium, or qualify for an exemption to these limits as defined in the Annexes of Directive 2000/53/EC (ELV). Regarding the REACH Regulation, the information TE provides on SVHC in articles for this part number is based on the latest European Chemicals Agency (ECHA) 'Guidance on requirements for substances in articles' posted at this URL: <https://echa.europa.eu/guidance-documents/guidance-on-reach>

Compatible Parts

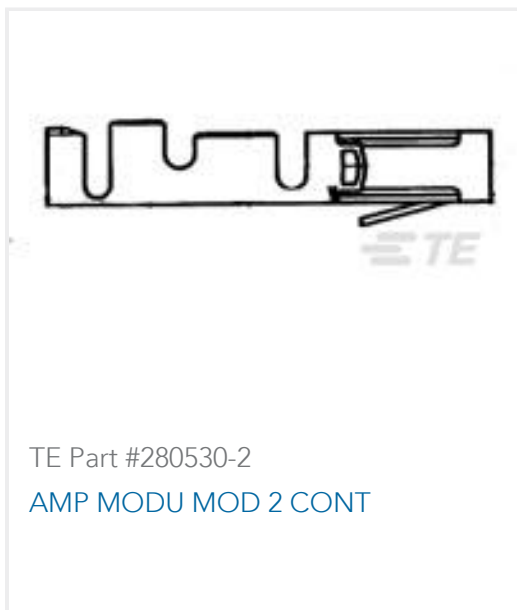


Also in the Series | Alcoswitch MSS



Customers Also Bought





TE Part #280530-2
AMP MODU MOD 2 CONT



TE Part #2-2176582-2
RLC73PD 2B 1R0 1% 5K RL



TE Part #207387-2
CABLE GRIP, SZ 17, CPC



TE Part #0460-245-1290
PIN, SOLID, SIZE 12, EXTENDED PCB,
SN



TE Part #NB16934001
VERSAFIT-3/64-0-SP



TE Part #1-1879502-0
CRGH2512 5% 33K 2W

Documents

Product Drawings

[MSS4300RG04=4P3T SL SW R/A AU](#)

English

CAD Files

Customer View Model

[ENG_CVM_CVM_1825268-2_A.3d_stp.zip](#)

English

Customer View Model

[ENG_CVM_CVM_1825268-2_A.2d_dxf.zip](#)

English

Customer View Model

[ENG_CVM_CVM_1825268-2_A.3d_igs.zip](#)

English

3D PDF

3D

By downloading the CAD file I accept and agree to the [Terms and Conditions](#) of use.

Datasheets & Catalog Pages

[SWITCHES_CORE_PROGRAM_CATALOG](#)

English