



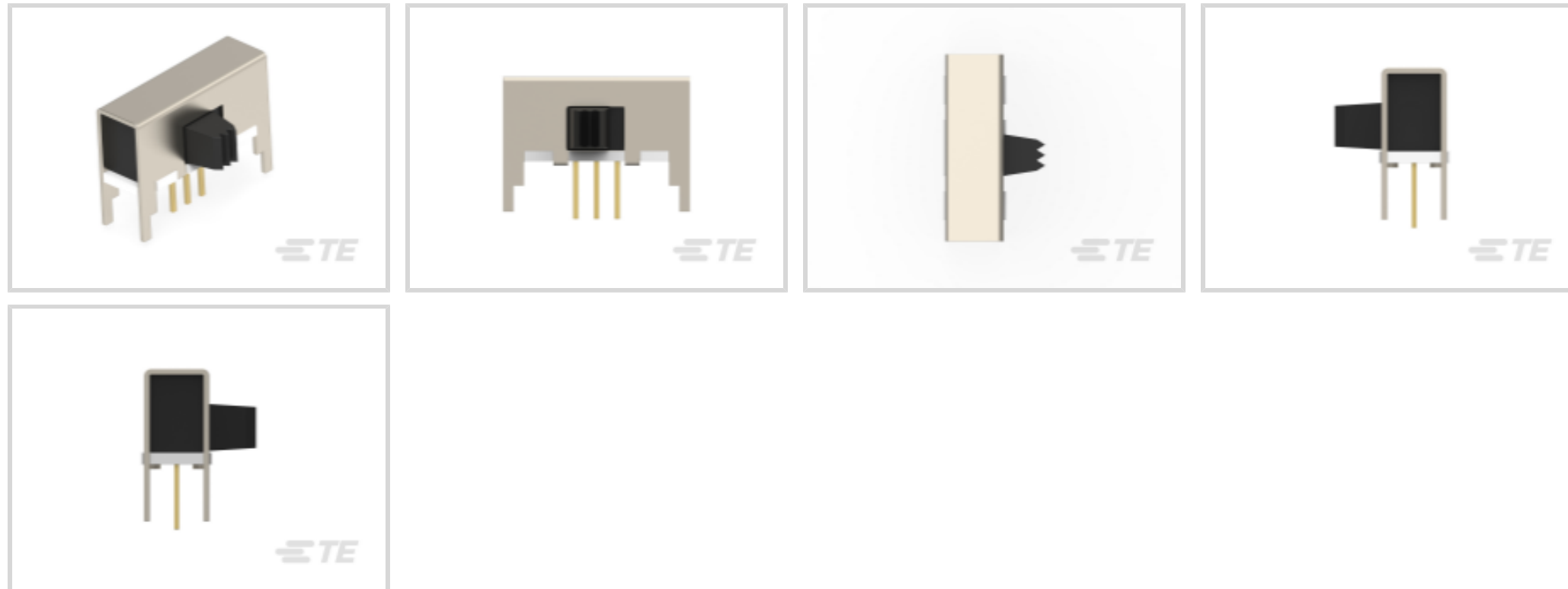
Alcoswitch | Alcoswitch MSS

TE Internal #: 1825258-2

.4 A Slide Switch, Single Pole - Double Throw, Right Angle, Copper Alloy, Single Actuator, 2 Position, On None On, 20 VDC, Alcoswitch MSS

[View on TE.com >](#)

Switches > Slide Switches



Contact Current Rating: **.4 A**

Configuration (Pole-Throw): **Single Pole - Double Throw**

Product Orientation: **Right Angle**

Contact Base Material: **Copper Alloy**

Number of Actuators: **Single**

### Features

#### Industry Standards

UL Flammability Rating	UL 94HB
------------------------	---------

#### Packaging Features

Packaging Method	Tray
------------------	------

#### Dimensions

Product Width	5.6 mm[.221 in]
Product Length	18 mm[.709 in]
Actuator Length	4 mm[.157 in]

#### Other

Grade	Instrumentation
EU RoHS Compliance	Compliant
EU ELV Compliance	Compliant

#### Termination Features

Termination Post & Tail Length	3.7 mm[.145 in]
--------------------------------	-----------------



Termination Method to PCB

Through Hole - Solder

### Body Features

Actuator Orientation	Side
Actuator Travel	2 mm[.08 in]
Product Orientation	Right Angle
Actuator Profile	Extended
Actuator Material	POM
Actuator Color	Black

### Configuration Features

Terminals Connected	2-1
Configuration (Pole-Throw)	Single Pole - Double Throw
Number of Actuators	Single
Number of Positions	2
Operating Function	On None On

### Electrical Characteristics

Contact Current Rating	.4 A
Operating Voltage	20 VDC

### Contact Features

Contact Base Material	Copper Alloy
Switch Contact Plating Material	Gold

### Product Compliance

[For compliance documentation, visit the product page on TE.com>](#)

EU RoHS Directive 2011/65/EU	Compliant
EU ELV Directive 2000/53/EC	Compliant
China RoHS 2 Directive MIIT Order No 32, 2016	No Restricted Materials Above Threshold
EU REACH Regulation (EC) No. 1907/2006	Current ECHA Candidate List: JUNE 2024 (241) Candidate List Declared Against: JAN 2023 (233) Does not contain REACH SVHC
Halogen Content	Not Low Halogen - contains Br or Cl > 900 ppm.
Solder Process Capability	Wave solder capable to 265°C


Product Compliance Disclaimer

This information is provided based on reasonable inquiry of our suppliers and represents our current actual knowledge based on the information they provided. This information is subject to change. The part numbers that TE has identified as EU RoHS compliant have a maximum concentration of 0.1% by weight in homogenous materials for lead, hexavalent chromium, mercury, PBB, PBDE, DBP, BBP, DEHP, DIBP, and 0.01% for cadmium, or qualify for an exemption to these limits as defined in the Annexes of Directive 2011/65/EU (RoHS2). Finished electrical and electronic equipment products will be CE marked as required by Directive 2011/65/EU. Components may not be CE marked. Additionally, the part numbers that TE has identified as EU ELV compliant have a maximum concentration of 0.1% by weight in homogenous materials for lead, hexavalent chromium, and mercury, and 0.01% for cadmium, or qualify for an exemption to these limits as defined in the Annexes of Directive 2000/53/EC (ELV). Regarding the REACH Regulation, the information TE provides on SVHC in articles for this part number is based on the latest European Chemicals Agency (ECHA) 'Guidance on requirements for substances in articles' posted at this URL: <https://echa.europa.eu/guidance-documents/guidance-on-reach>

### Compatible Parts



TE Part # 1825266-1  
MSS425004=4PDT SL SW AG



TE Part # 1825257-2  
MSS1200G04=SPDT SL SW VERT AU



TE Part # 1825263-1  
MSS225004=DPDT SL SW VERT AG



TE Part # 1825265-2  
MSS4200RG04=4PDT SL SW R/A AU



TE Part # 1825255-8  
MHS133G04=SP3T SL SW VERT AU



TE Part # 1825255-5  
MHS12304=SPDT SL SW VERT AG



TE Part # 1825261-2  
MSS2200G04=DPDT SL SW VERT AU



TE Part # 1825264-1  
MSS420004=4PDT SL SW AG



TE Part # 1825261-1  
MSS220004=DPDT SL SW VERT AG



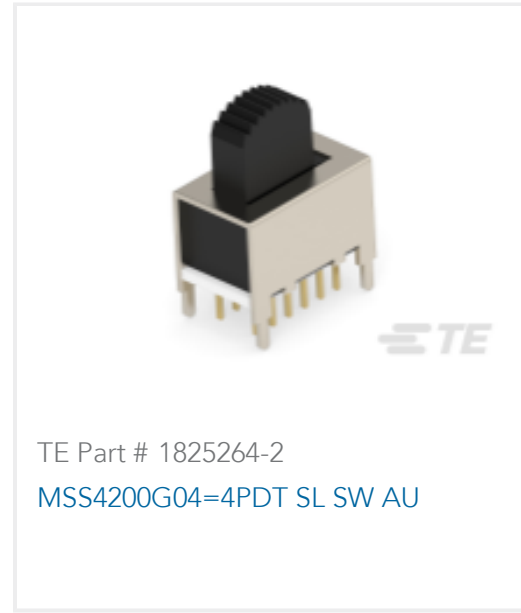
TE Part # 1571630-2  
MSS2250R04=DPDT SL SW R/A AG



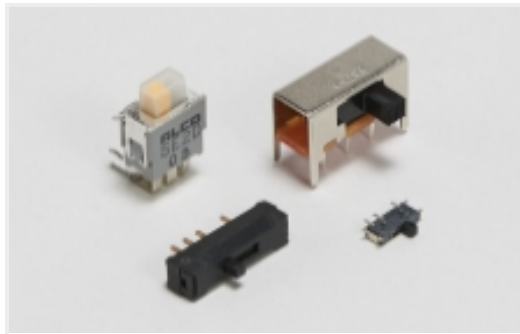
TE Part # 1825262-2  
MSS2225G04=DPDT SL SW VERT AU



TE Part # 1825268-2  
MSS4300RG04=4P3T SL SW R/A AU



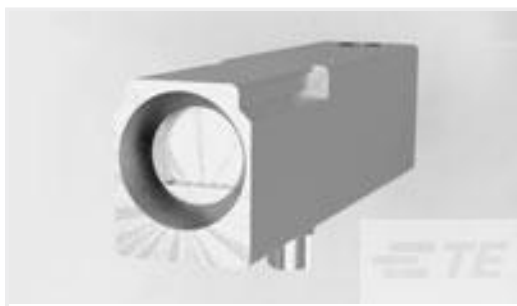
Also in the Series | **Alcoswitch MSS**



Slide Switches(15)

Customers Also Bought





TE Part #5223986-5  
UPM KEYED GUIDE MODULE



TE Part #3-1879073-4  
THS10 120R 5%

## Documents

### Product Drawings

[SPDT SL SW R/A AU](#)

English

### CAD Files

[3D PDF](#)

3D

Customer View Model

[ENG\\_CVM\\_CVM\\_1825258-2\\_A.2d\\_dxf.zip](#)

English

Customer View Model

[ENG\\_CVM\\_CVM\\_1825258-2\\_A.3d\\_igs.zip](#)

English

Customer View Model

[ENG\\_CVM\\_CVM\\_1825258-2\\_A.3d\\_stp.zip](#)

English

By downloading the CAD file I accept and agree to the [Terms and Conditions](#) of use.

### Datasheets & Catalog Pages

[SWITCHES\\_CORE\\_PROGRAM\\_CATALOG](#)

English