

1825204-3 ✓ ACTIVE

[Alcoswitch](#) | [Alcoswitch MSSA](#)

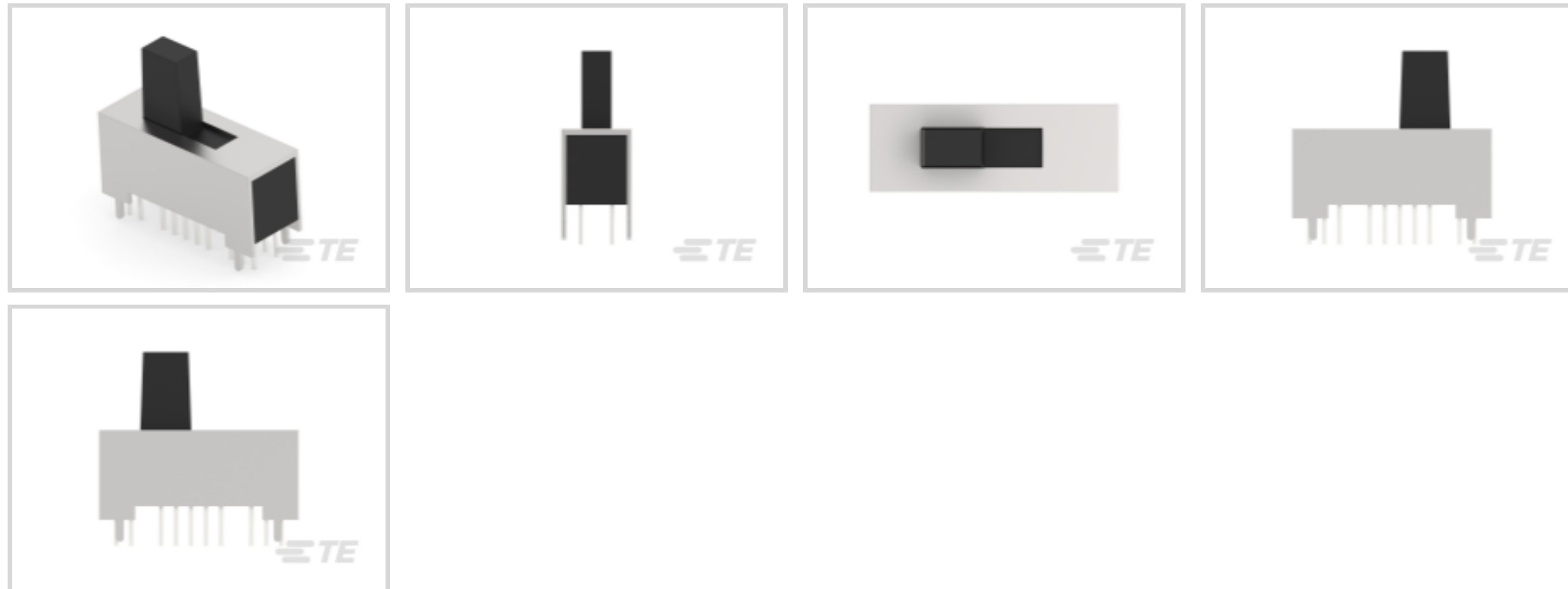
TE Internal #: 1825204-3

.3 A Slide Switch, Four Pole - Four Throw, Vertical, Copper Alloy,
Single Actuator, 4 Position, On On On, 125 VAC, Extended
Actuator, Alcoswitch MSSA

[View on TE.com >](#)



Switches > Slide Switches



Contact Current Rating: **.3 A**

Configuration (Pole-Throw): **Four Pole - Four Throw**

Product Orientation: **Vertical**

Contact Base Material: **Copper Alloy**

Number of Actuators: **Single**

Features

Industry Standards

UL Flammability Rating	UL 94V-0
------------------------	----------

Packaging Features

Packaging Method	Tray
------------------	------

Dimensions

Product Width	9.35 mm[.368 in]
Product Length	26.67 mm[1.05 in]
Actuator Length	10.4 mm[.41 in]

Other

Grade	Instrumentation
EU RoHS Compliance	Compliant
EU ELV Compliance	Compliant

Termination Features

Termination Post & Tail Length	3.51 mm[.136 in]
--------------------------------	------------------



Termination Method to PCB

Through Hole - Solder

Body Features

Actuator Orientation	Top
Actuator Travel	2 mm[.079 in]
Product Orientation	Vertical
Actuator Profile	Extended
Actuator Material	Nylon
Actuator Color	Black

Configuration Features

Terminals Connected	1-3, 6-8, 11-13, 16-18
Configuration (Pole-Throw)	Four Pole - Four Throw
Number of Actuators	Single
Number of Positions	4
Operating Function	On On On

Electrical Characteristics

Contact Current Rating	.3 A
Operating Voltage	125 VAC

Contact Features

Contact Base Material	Copper Alloy
Switch Contact Plating Material	Silver

Product Compliance

[For compliance documentation, visit the product page on TE.com>](#)

EU RoHS Directive 2011/65/EU	Compliant
EU ELV Directive 2000/53/EC	Compliant
China RoHS 2 Directive MIIT Order No 32, 2016	No Restricted Materials Above Threshold
EU REACH Regulation (EC) No. 1907/2006	Current ECHA Candidate List: JUNE 2024 (241) Candidate List Declared Against: JUN 2016 (169) SVHC > Threshold: Not Yet Reviewed
Halogen Content	Not Low Halogen - contains Br or Cl > 900 ppm.
Solder Process Capability	Wave solder capable to 265°C

Product Compliance Disclaimer

This information is provided based on reasonable inquiry of our suppliers and represents our current actual knowledge based on the information they provided. This information is subject to change. The part numbers that TE has identified as EU RoHS compliant have a maximum concentration of 0.1% by weight in homogenous materials for lead, hexavalent chromium, mercury, PBB, PBDE, DBP, BBP, DEHP, DIBP, and 0.01% for cadmium, or qualify for an exemption to these limits as defined in the Annexes of Directive 2011/65/EU (RoHS2). Finished electrical and electronic equipment products will be CE marked as required by Directive 2011/65/EU. Components may not be CE marked. Additionally, the part numbers that TE has identified as EU ELV compliant have a maximum concentration of 0.1% by weight in homogenous materials for lead, hexavalent chromium, and mercury, and 0.01% for cadmium, or qualify for an exemption to these limits as defined in the Annexes of Directive 2000/53/EC (ELV). Regarding the REACH Regulations, TE's information on SVHC in articles for this part number is still based on the European Chemical Agency (ECHA) 'Guidance on requirements for substances in articles' (Version: 2, April 2011), applying the 0.1% weight on weight concentration threshold at the finished product level. TE is aware of the European Court of Justice ruling of September 10th, 2015 also known as O5A (Once An Article Always An Article) stating that, in case of 'complex object', the threshold for a SVHC must be applied to both the product as a whole and simultaneously to each of the articles forming part of its composition. TE has evaluated this ruling based on the new ECHA "Guidance on requirements for substances in articles" (June 2017, version 4.0) and will be updating its statements accordingly.

Compatible Parts



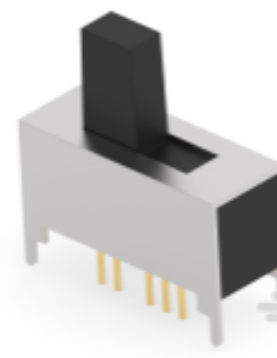
TE Part # 4-1437580-9
MSSA211NG=SLIDE W/PC
TERMINALS



TE Part # 6-1437580-0
MSSA2450RG=SLIDE 2 POLE / 4 PO



TE Part # 1825200-1
MSSA245004=SW SLIDE, DP4T AG



TE Part # 1825200-2
MSSA2450G04=SW SLIDE, DP4T AU

Also in the Series | [Alcoswitch MSSA](#)



Slide Switches(13)

Customers Also Bought



TE Part #114017-ZZ
SEALING PLUG, SIZE 12/16, WHT



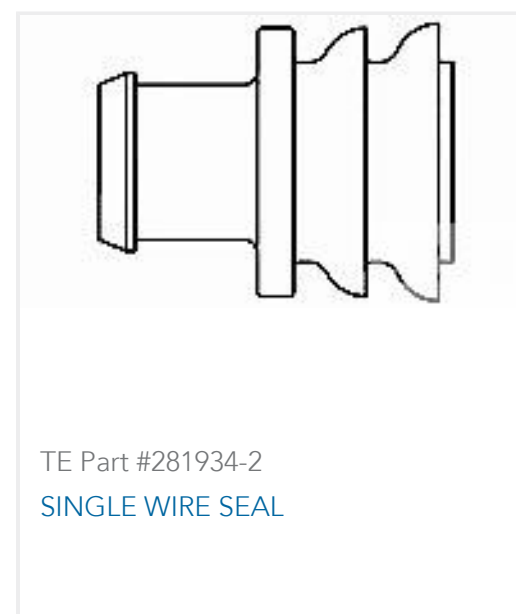
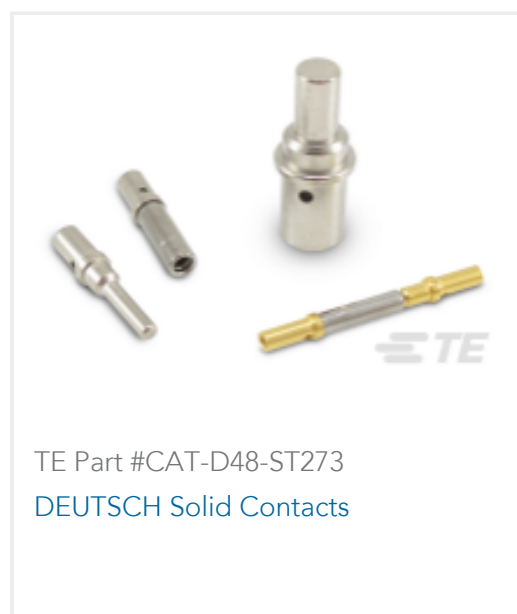
TE Part #DT04-2P
REC, 2P, GRY, N



TE Part #DT06-2S
PLG, 2P, GRY, N



TE Part #CAT-D487-W416
Wedgelocks: DEUTSCH DT



Documents

Product Drawings

[MSSA445004=SW SLIDE, 4P4T AG](#)

English

CAD Files

Customer View Model

[ENG_CVM_CVM_1825204-3_A.3d_igs.zip](#)

English

Customer View Model

[ENG_CVM_CVM_1825204-3_A.3d_stp.zip](#)

English

Customer View Model

[ENG_CVM_CVM_1825204-3_A.2d_dxf.zip](#)

English

[3D PDF](#)

3D

By downloading the CAD file I accept and agree to the [Terms and Conditions](#) of use.

Datasheets & Catalog Pages

[SWITCHES_CORE_PROGRAM_CATALOG](#)

English