

1825100-4 ✓ ACTIVE

[Alcoswitch](#) | [Alcoswitch TPF](#)

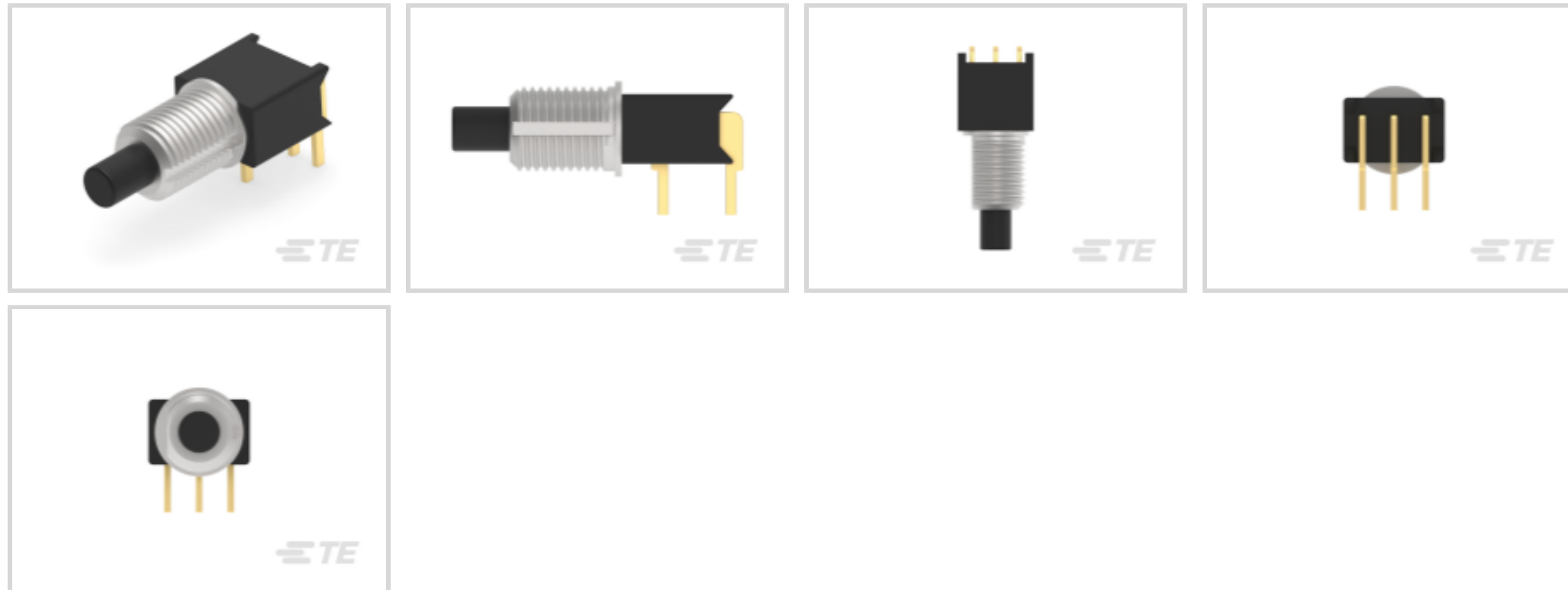
TE Internal #: 1825100-4

General Purpose Push Button Switch, Single Pole - Single Throw Configuration (Pole-Throw), Single Actuator, Extended Actuator, Alcoswitch TPF

[View on TE.com >](#)



Switches > Push Button Switches



Push Button Switch Product Type: **General Purpose Push Button Switch**

Configuration (Pole-Throw): **Single Pole - Single Throw**

Number of Actuators: **Single**

Actuator Profile: **Extended**

Bushing Style: **Threaded**

Features

Termination Features

Termination Method to PCB	Through Hole - Solder
---------------------------	-----------------------

Usage Conditions

Operating Temperature Range	-30 – 65 °C
-----------------------------	-------------

Packaging Features

Packaging Method	Bulk
------------------	------

Dimensions

Button Width	3.35 mm[.132 in]
Actuator Length	4.32 mm[.17 in]

Contact Features

Contact Base Material	Copper Alloy
Switch Contact Plating Material	Gold over Nickel

Housing Features

Low Profile	No
-------------	----



Process Sealed	No
----------------	----

Body Features

Case Material	Polyester
Sealing Method	Terminal Seal (Epoxy)
Actuator Material	Thermoplastic
Product Orientation	Right Angle
Actuator Force	50 – 400 g[1.77 – 14.11 oz]
Actuator Profile	Extended
Bushing Style	Threaded
Bushing Thread Size	1/4-40
Actuator Color	Black

Configuration Features

Panel Cutout Size	6.5 (Diameter) mm
Configuration (Pole-Throw)	Single Pole - Single Throw
Number of Actuators	Single
Snap Action	Without
Support Bracket	Without
Switch Feedback Type	Non-Tactile
Operating Function	NO, Momentary

Product Type Features

Switch Connection Type	Printed Circuit
Push Button Switch Product Type	General Purpose Push Button Switch
Illuminated	Without
Actuator Style	Round Actuator

Electrical Characteristics

Contact Current Rating	.4 A
Operating Voltage Range	20 VDC

Other

EU RoHS Compliance	Compliant with Exemptions
EU ELV Compliance	Compliant

Product Compliance

[For compliance documentation, visit the product page on TE.com>](#)



EU RoHS Directive 2011/65/EU	Compliant with Exemptions
EU ELV Directive 2000/53/EC	Compliant
China RoHS 2 Directive MIIT Order No 32, 2016	Restricted Materials Above Threshold
EU REACH Regulation (EC) No. 1907/2006	Current ECHA Candidate List: JUNE 2024 (241) Candidate List Declared Against: JUNE 2024 (241) SVHC > Threshold: Pb (3.7% in Component Part) Article Safe Usage Statements: Do not eat, drink or smoke when using this product. Wash thoroughly after handling. Recycle if possible and dispose of the article by following all applicable governmental regulations relevant to your geographic location.
Halogen Content	Not Yet Reviewed for halogen content
Solder Process Capability	Wave solder capable to 265°C

Product Compliance Disclaimer

This information is provided based on reasonable inquiry of our suppliers and represents our current actual knowledge based on the information they provided. This information is subject to change. The part numbers that TE has identified as EU RoHS compliant have a maximum concentration of 0.1% by weight in homogenous materials for lead, hexavalent chromium, mercury, PBB, PBDE, DBP, BBP, DEHP, DIBP, and 0.01% for cadmium, or qualify for an exemption to these limits as defined in the Annexes of Directive 2011/65/EU (RoHS2). Finished electrical and electronic equipment products will be CE marked as required by Directive 2011/65/EU. Components may not be CE marked. Additionally, the part numbers that TE has identified as EU ELV compliant have a maximum concentration of 0.1% by weight in homogenous materials for lead, hexavalent chromium, and mercury, and 0.01% for cadmium, or qualify for an exemption to these limits as defined in the Annexes of Directive 2000/53/EC (ELV). Regarding the REACH Regulations, TE's information on SVHC in articles for this part number is still based on the European Chemical Agency (ECHA) 'Guidance on requirements for substances in articles' (Version: 2, April 2011), applying the 0.1% weight on weight concentration threshold at the finished product level. TE is aware of the European Court of Justice ruling of September 10th, 2015 also known as O5A (Once An Article Always An Article) stating that, in case of 'complex object', the threshold for a SVHC must be applied to both the product as a whole and simultaneously to each of the articles forming part of its composition. TE has evaluated this ruling based on the new ECHA "Guidance on requirements for substances in articles" (June 2017, version 4.0) and will be updating its statements accordingly.

Compatible Parts



TE Part # 7-1437571-7
TPB11FGVRA0=TINY PUSHBUTTON



TE Part # 1825095-2
TP11CGPC204



TE Part # 1437571-4
TP11CGPC0=SWITCH P/B N/O BLACK

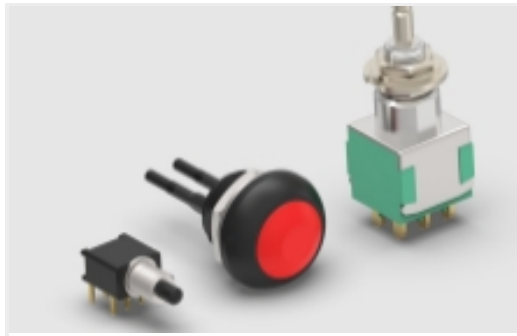


TE Part # 1825095-1
TP11CGPC004



TE Part # 1825095-3
TP11CGRA004

Also in the Series | Alcoswitch TPF



General Purpose Push Button Switches (13)



Push Button Switches(13)

Customers Also Bought



TE Part #T4032014041-000
M8.MLE.PNLFRONT.4POS.STR.



TE Part #1375819-1
CST-100 II CONTACT TIN PLT



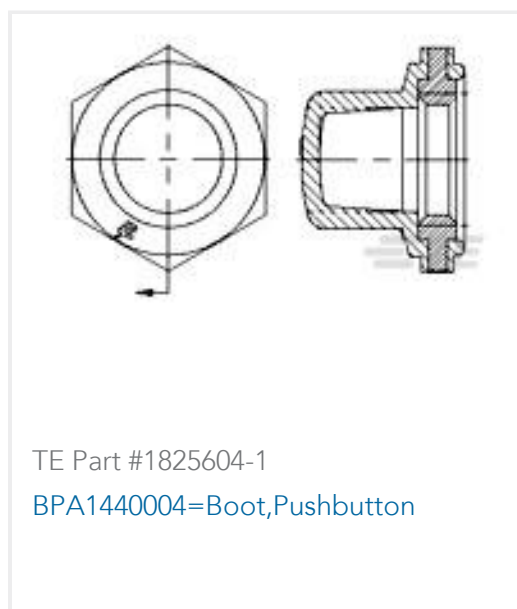
TE Part #1375820-8
CST-100 II HOUSING 8 POS



TE Part #2329328-1
PB OFF/ON HC BLK M1 TERM. IP68



TE Part #8-1393224-4
RY532012



TE Part #1825604-1
BPA1440004=Boot,Pushbutton



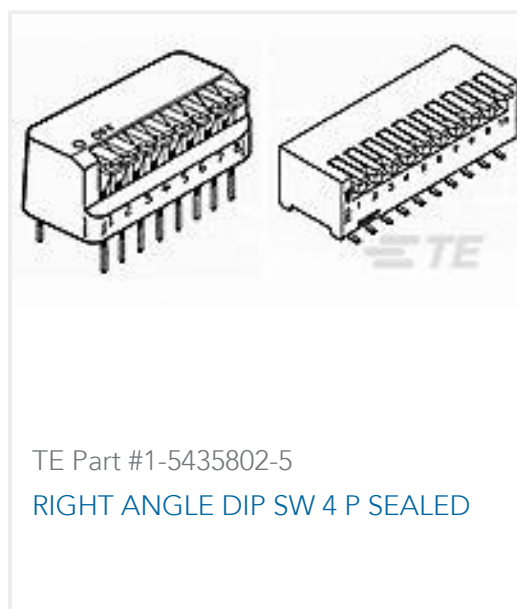
TE Part #CB5017-000
BSTS-07X4CL



TE Part #5645994-1
MSS ASSY SERIES 3 W/SEALANT



TE Part #CB5037-000
BSTS-13X4/CL



TE Part #1-5435802-5
RIGHT ANGLE DIP SW 4 P SEALED



Documents

Product Drawings

[TPF11CGRA004](#)

English

CAD Files

[3D PDF](#)

3D

Customer View Model

[ENG_CVM_CVM_1825100-4_A.2d_dxf.zip](#)

English

Customer View Model

[ENG_CVM_CVM_1825100-4_A.3d_igs.zip](#)

English

Customer View Model

[ENG_CVM_CVM_1825100-4_A.3d_stp.zip](#)

English

By downloading the CAD file I accept and agree to the [Terms and Conditions](#) of use.

Datasheets & Catalog Pages

[TP Series Data Sheet](#)

English