



Switches > Rotary Switches



Number of Positions: **10**

Actuator Style: **Mini-Plastic Shaft**

Rotary Switch Type: **Rotary DIP**

Number of Switches: **10**

Case Material: **Thermoplastic**

### Features

#### Industry Standards

UL Flammability Rating	UL 94V-0
------------------------	----------

#### Housing Features

Centerline (Pitch)	2.54 mm[.1 in]
--------------------	----------------

#### Packaging Features

Packaging Method	Tube
------------------	------

#### Contact Features

PCB Contact Termination Area Plating Material	Gold Flash
Switch Contact Plating Material	Gold Flash
Contact Base Material	Copper Alloy

#### Configuration Features

Number of Positions	10
Number of Switches	10

#### Product Type Features

Actuator Style	Mini-Plastic Shaft
Rotary Switch Type	Rotary DIP
Sealed Device	No
Code Type	BCD

#### Body Features

Case Material	Thermoplastic
---------------	---------------

Product Orientation	Right Angle
---------------------	-------------

### Electrical Characteristics

Contact Current Rating	.4 A
Operating Voltage	20 VDC

### Termination Features

Termination Method to PCB	Through Hole - Solder
---------------------------	-----------------------

### Product Compliance

[For compliance documentation, visit the product page on TE.com>](#)

EU RoHS Directive 2011/65/EU	Compliant
EU ELV Directive 2000/53/EC	Compliant
China RoHS 2 Directive MIIT Order No 32, 2016	No Restricted Materials Above Threshold
EU REACH Regulation (EC) No. 1907/2006	Current ECHA Candidate List: JUNE 2024 (241) Candidate List Declared Against: JAN 2021 (211) Does not contain REACH SVHC
Halogen Content	Not Low Halogen - contains Br or Cl > 900 ppm.
Solder Process Capability	Wave solder capable to 265°C

#### Product Compliance Disclaimer

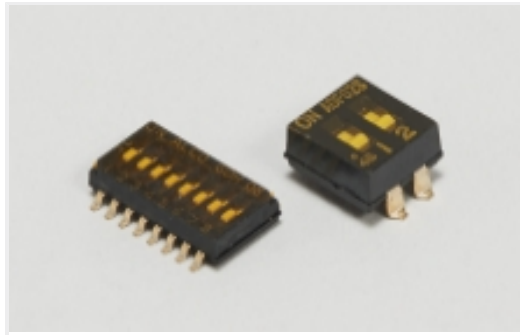
This information is provided based on reasonable inquiry of our suppliers and represents our current actual knowledge based on the information they provided. This information is subject to change. The part numbers that TE has identified as EU RoHS compliant have a maximum concentration of 0.1% by weight in homogenous materials for lead, hexavalent chromium, mercury, PBB, PBDE, DBP, BBP, DEHP, DIBP, and 0.01% for cadmium, or qualify for an exemption to these limits as defined in the Annexes of Directive 2011/65/EU (RoHS2). Finished electrical and electronic equipment products will be CE marked as required by Directive 2011/65/EU. Components may not be CE marked. Additionally, the part numbers that TE has identified as EU ELV compliant have a maximum concentration of 0.1% by weight in homogenous materials for lead, hexavalent chromium, and mercury, and 0.01% for cadmium, or qualify for an exemption to these limits as defined in the Annexes of Directive 2000/53/EC (ELV). Regarding the REACH Regulation, the information TE provides on SVHC in articles for this part number is based on the latest European Chemicals Agency (ECHA) 'Guidance on requirements for substances in articles' posted at this URL: <https://echa.europa.eu/guidance-documents/guidance-on-reach>

Also in the Series | [Alcoswitch Rotary DIP DRM](#)



Rotary Switches(16)

### Also in the Series | **Alcoswitch DIP**



DIP & SIP Switches(160)

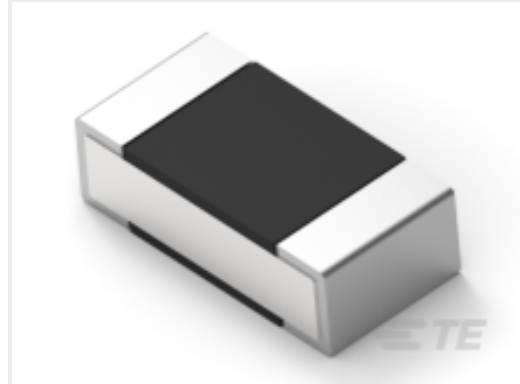


Rotary Switches(16)

### Customers Also Bought



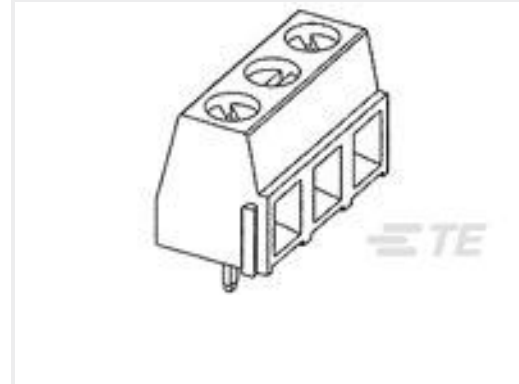
TE Part #1-794068-1  
16P MINI UMNL HDR W/DH AU LF



TE Part #2-2176308-7  
RP 1E 0.1W 249K 0.1% 25PPM 5K RL



TE Part #4-1956171-2  
RY533060R



TE Part #282836-1  
TERMI-BLOK PCB MOUNT 5,0MM PEG



TE Part #8-1393224-9  
RY533024



TE Part #3-1415535-6  
REL34012



TE Part #7-2176311-5  
RP 1E 0.1W 6K81 0.1% 25PPM 1K RL



TE Part #8-1415536-6  
0410 83 046 001WG



TE Part #2-1734592-5  
FPC CONN. 0.5MM PITCH B/C, 25P



TE Part #7-1393788-8  
V23079G1005B301



## Documents

### CAD Files

Customer View Model

[ENG\\_CVM\\_CVM\\_1825008-6\\_A1.3d\\_stp.zip](#)

English

Customer View Model

[ENG\\_CVM\\_CVM\\_1825008-6\\_A1.2d\\_dxf.zip](#)

English

Customer View Model

[ENG\\_CVM\\_CVM\\_1825008-6\\_A1.3d\\_igs.zip](#)

English

### 3D PDF

3D

By downloading the CAD file I accept and agree to the [Terms and Conditions](#) of use.

### Datasheets & Catalog Pages

[SWITCHES\\_CORE\\_PROGRAM\\_CATALOG](#)

English