

181902-1 ✓ ACTIVE

FASTON | FASTON 250

TE Internal #: 181902-1

Quick Disconnect Receptacle, 22 – 18 AWG, .32 – .82 mm<sup>2</sup> Wire,  
6.35 mm [.25 in] Tab Width, Straight, Brass, Tin Plating, Loose Piece  
/Carton, FASTON 250

[View on TE.com >](#)



Terminals & Splices > Quick Disconnects



Quick Disconnect Terminal Type: **Receptacle**

Wire Size: .32 – .82 mm<sup>2</sup>

Mating Tab Width: 6.35 mm [.25 in]

Mating Tab Thickness: .81 mm [.032 in]

## Features

### Industry Standards

Compatible With Agency/Standards Products UL, CSA

### Termination Features

Product Terminates To Wire & Cable

### Configuration Features

Compatible With Wire & Cable Type Discrete Wire

Connection Capacity Single

### Mechanical Attachment

Wire Insulation Support With

Mating Retention Type Dimple

Extraction Force 8.1 kgf

### Packaging Features

Packaging Quantity 250

Packaging Method Loose Piece/Carton

### Dimensions



|                                      |                            |
|--------------------------------------|----------------------------|
| Product Length                       | 20.2 mm[.795 in]           |
| Compatible Insulation Diameter Range | 2.3 – 3.3 mm[.09 – .13 in] |
| Wire Size                            | .32 – .82 mm <sup>2</sup>  |

### Product Type Features

|                 |     |
|-----------------|-----|
| Insertion Force | Low |
|-----------------|-----|

### Contact Features

|                                |                 |
|--------------------------------|-----------------|
| Quick Disconnect Terminal Type | Receptacle      |
| Mating Tab Width               | 6.35 mm[.25 in] |
| Mating Tab Thickness           | .81 mm[.032 in] |
| Terminal Orientation           | Straight        |
| Contact Base Material          | Brass           |
| Terminal Plating Material      | Tin             |
| Crimp Type                     | F-Crimp         |
| Barrel Type                    | Open            |

### Usage Conditions

|                             |                            |
|-----------------------------|----------------------------|
| Insulation Option           | Uninsulated                |
| Operating Temperature Range | -40 – 110 °C[-40 – 230 °F] |

### Other

|                    |           |
|--------------------|-----------|
| EU RoHS Compliance | Compliant |
| EU ELV Compliance  | Compliant |

### Product Compliance

[For compliance documentation, visit the product page on TE.com>](#)

|   |   |
|---|---|
| EU RoHS Directive 2011/65/EU                  | Compliant   |
| EU ELV Directive 2000/53/EC                   | Compliant   |
| China RoHS 2 Directive MIIT Order No 32, 2016 | No Restricted Materials Above Threshold   |
| EU REACH Regulation (EC) No. 1907/2006        | Current ECHA Candidate List: JUNE 2024 (241)<br>Candidate List Declared Against: JUNE 2024 (241)<br>Does not contain REACH SVHC |
| Halogen Content                               | Low Halogen - Br, Cl, F, I < 900 ppm per homogenous material. Also BFR/CFR/PVC Free   |
| Solder Process Capability                     | Not applicable for solder process capability  |



Product Compliance Disclaimer

This information is provided based on reasonable inquiry of our suppliers and represents our current actual knowledge based on the information they provided. This information is subject to change. The part numbers that TE has identified as EU RoHS compliant have a maximum concentration of 0.1% by weight in homogenous materials for lead, hexavalent chromium, mercury, PBB, PBDE, DBP, BBP, DEHP, DIBP, and 0.01% for cadmium, or qualify for an exemption to these limits as defined in the Annexes of Directive 2011/65/EU (RoHS2). Finished electrical and electronic equipment products will be CE marked as required by Directive 2011/65/EU. Components may not be CE marked. Additionally, the part numbers that TE has identified as EU ELV compliant have a maximum concentration of 0.1% by weight in homogenous materials for lead, hexavalent chromium, and mercury, and 0.01% for cadmium, or qualify for an exemption to these limits as defined in the Annexes of Directive 2000/53/EC (ELV). Regarding the REACH Regulation, the information TE provides on SVHC in articles for this part number is based on the latest European Chemicals Agency (ECHA) 'Guidance on requirements for substances in articles' posted at this URL: <https://echa.europa.eu/guidance-documents/guidance-on-reach>

### Compatible Parts



TE Part # 169400  
CERTI-LOK FRAME W/O DIES



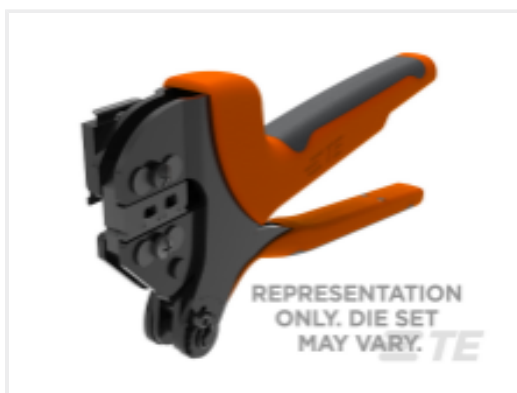
TE Part # 2063429-2  
SDE F FASTON 250 0.35-2.50mm<sup>2</sup> DIE SET



TE Part # 5-160563-2  
250 FASTON REC 18-16 AWG TPBR



TE Part # 539740-2  
DIE F6. 3FF REC.



TE Part # 2063429-1  
SDE F FASTON 250 0.35-2.50mm<sup>2</sup> ASSY



TE Part # 91514-1  
CCII FASTON 250 REC 22-18 ASSY

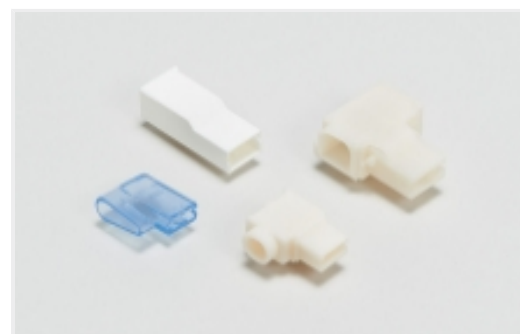


TE Part # 9-1579022-1  
CERTILOK DIE FASTON 6.3

### Also in the Series | FASTON 250



Compression Connectors(4)



Crimp Terminal Housings(118)



Insertion & Extraction Tools(6)



Insulation Boots & Sleeves(16)



PCB Terminals(133)

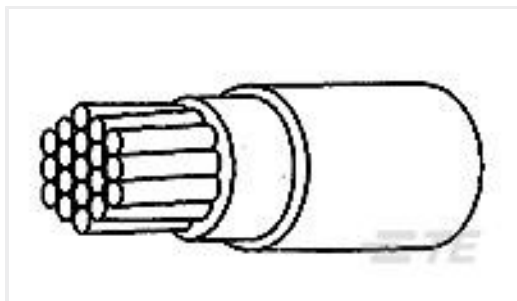
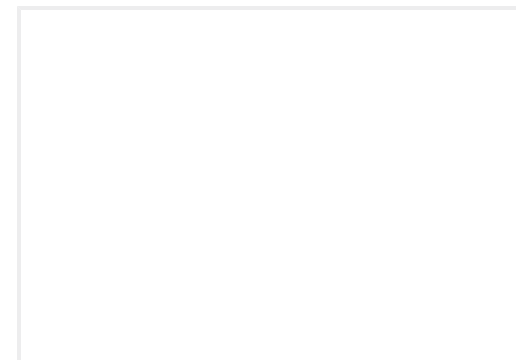
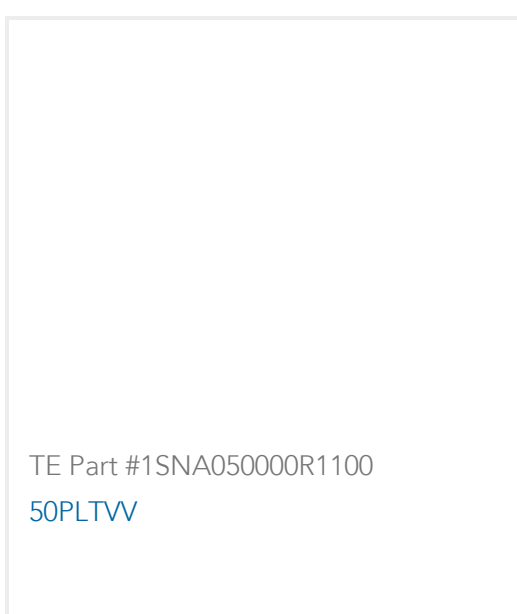


Quick Disconnects(425)



Splices(4)

## Customers Also Bought

TE Part #1102773001  
FLT0111-0.25-9TE Part #5677864004  
RNF-3000-9/3-9-SPTE Part #3-1623932-6  
CFR50 5% 1K0TE Part #CONSMA011-R58  
SMA Jack 50 Ohm Cable CrimpTE Part #CAT-P592-R472A  
PIDG Ring Tongue TerminalsTE Part #CONSMA007-R58  
SMA Plug 50 Ohm Cable CrimpTE Part #5108764005  
RAYRIM-NR6-0-SPTE Part #1SNA117263R2400  
ACPS-5TE Part #1SNA050000R1100  
50PLTV

## Documents

### Product Drawings

250 FASTON,REC.,24-17 AWG,TPBR

English

### CAD Files

3D PDF

3D

### Customer View Model

ENG\_CVM\_CVM\_181902-1\_C.2d\_dxf.zip



English

**Customer View Model**

[ENG\\_CVM\\_CVM\\_181902-1\\_C.3d\\_igs.zip](#)

English

**Customer View Model**

[ENG\\_CVM\\_CVM\\_181902-1\\_C.3d\\_stp.zip](#)

English

By downloading the CAD file I accept and agree to the [Terms and Conditions](#) of use.

## Product Specifications

[Product Specification](#)

English