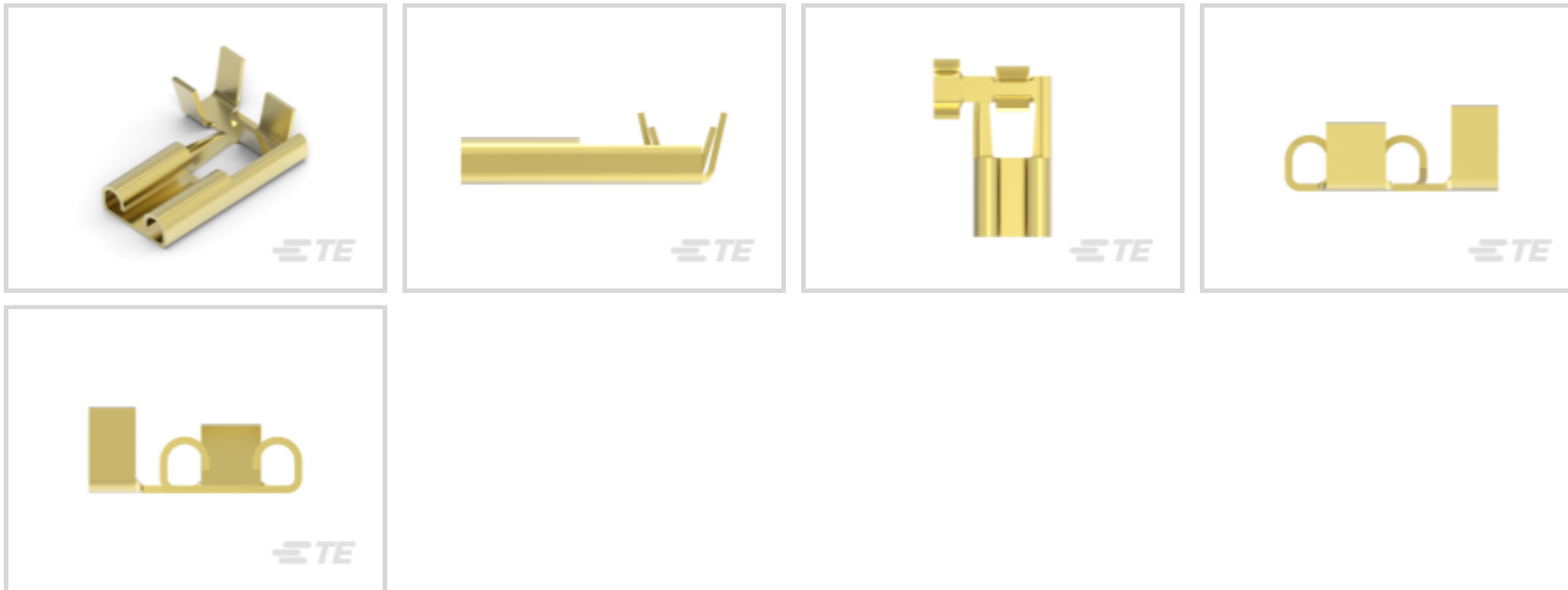




Terminals & Splices > Quick Disconnects



Quick Disconnect Terminal Type: **Receptacle**

Wire Size: **1.03 – 2.62 mm<sup>2</sup>**

Mating Tab Width: **6.35 mm [.25 in]**

Mating Tab Thickness: **.81 mm [.032 in]**

### Features

#### Termination Features

Product Terminates To	Wire & Cable
-----------------------	--------------

#### Configuration Features

Compatible With Wire & Cable Type	Discrete Wire
Connection Capacity	Single

#### Mechanical Attachment

Wire Insulation Support	With
Mating Retention Type	Dimple

#### Other

Line	Premier
EU RoHS Compliance	Compliant
EU ELV Compliance	Compliant

#### Packaging Features

Packaging Quantity	4000
Packaging Method	Strip/Reel



### Dimensions

Product Length	14.2 mm [.559 in]
Compatible Insulation Diameter Range	2.41 – 3.81 mm [.095 – .15 in]
Terminal Material Thickness	.41 mm [.016 in]
Wire Size	1.03 – 2.62 mm <sup>2</sup>

### Product Type Features

Insertion Force	Normal
-----------------	--------

### Contact Features

Quick Disconnect Terminal Type	Receptacle
Mating Tab Width	6.35 mm [.25 in]
Mating Tab Thickness	.81 mm [.032 in]
Terminal Orientation	Flag
Contact Base Material	Brass
Terminal Plating Material	Unplated
Crimp Type	F-Crimp
Barrel Type	Open

### Usage Conditions

Insulation Option	Uninsulated
Operating Temperature Range	-40 – 110 °C [-40 – 230 °F]

### Product Compliance

[For compliance documentation, visit the product page on TE.com>](#)

EU RoHS Directive 2011/65/EU	Compliant
EU ELV Directive 2000/53/EC	Compliant
China RoHS 2 Directive MIIT Order No 32, 2016	No Restricted Materials Above Threshold
EU REACH Regulation (EC) No. 1907/2006	Current ECHA Candidate List: JUNE 2024 (241) Candidate List Declared Against: JUNE 2024 (241) Does not contain REACH SVHC
Halogen Content	Low Halogen - Br, Cl, F, I < 900 ppm per homogenous material. Also BFR/CFR/PVC Free
Solder Process Capability	Not applicable for solder process capability

## Product Compliance Disclaimer

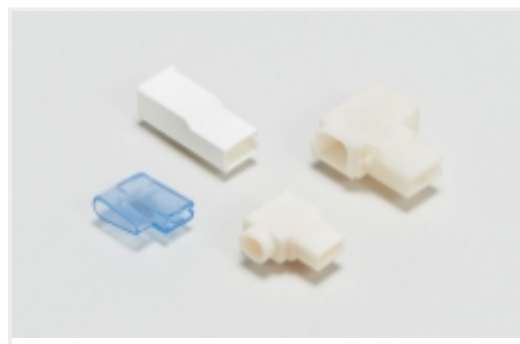
This information is provided based on reasonable inquiry of our suppliers and represents our current actual knowledge based on the information they provided. This information is subject to change. The part numbers that TE has identified as EU RoHS compliant have a maximum concentration of 0.1% by weight in homogenous materials for lead, hexavalent chromium, mercury, PBB, PBDE, DBP, BBP, DEHP, DIBP, and 0.01% for cadmium, or qualify for an exemption to these limits as defined in the Annexes of Directive 2011/65/EU (RoHS2). Finished electrical and electronic equipment products will be CE marked as required by Directive 2011/65/EU. Components may not be CE marked. Additionally, the part numbers that TE has identified as EU ELV compliant have a maximum concentration of 0.1% by weight in homogenous materials for lead, hexavalent chromium, and mercury, and 0.01% for cadmium, or qualify for an exemption to these limits as defined in the Annexes of Directive 2000/53/EC (ELV). Regarding the REACH Regulation, the information TE provides on SVHC in articles for this part number is based on the latest European Chemicals Agency (ECHA) 'Guidance on requirements for substances in articles' posted at this URL: <https://echa.europa.eu/guidance-documents/guidance-on-reach>

## Compatible Parts

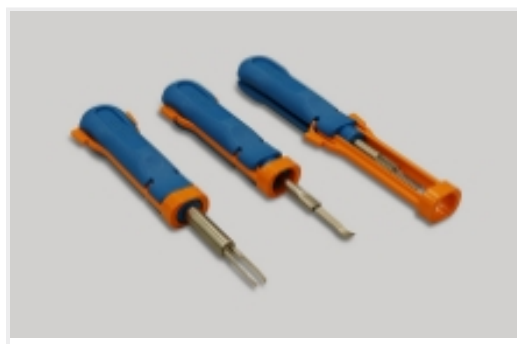
Also in the Series | **FASTON 250**



Compression Connectors(4)



Crimp Terminal Housings(118)



Insertion & Extraction Tools(6)



Insulation Boots & Sleeves(16)



PCB Terminals(133)



Quick Disconnects(425)



Splices(4)

## Customers Also Bought



TE Part #114017-ZZ  
 SEALING PLUG, SIZE 12/16, WHT



TE Part #CAT-AM71-CH8172  
 AMP SUPERSEAL 1.5MM,  
 CONNECTOR HOUSING



TE Part #DT04-2P  
 REC, 2P, GRY, N



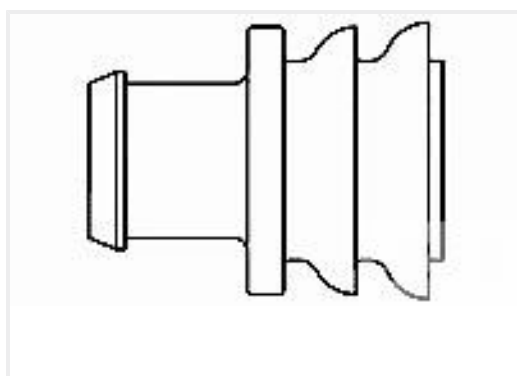
TE Part #DT06-2S  
 PLG, 2P, GRY, N



TE Part #CAT-D487-W416  
 Wedgelocks: DEUTSCH DT



TE Part #CAT-D48-ST273  
 DEUTSCH Solid Contacts



TE Part #281934-2  
 SINGLE WIRE SEAL

## Documents

### Product Drawings

[250 FASTON,FLAG,REC.,17-14 AWG,BR](#)

English

### CAD Files

Customer View Model

[ENG\\_CVM\\_CVM\\_180397-1\\_AV.2d\\_dxf.zip](#)

English

[3D PDF](#)



3D

Customer View Model

[ENG\\_CVM\\_CVM\\_180397-1\\_AV.3d\\_igs.zip](#)

English

Customer View Model

[ENG\\_CVM\\_CVM\\_180397-1\\_AV.3d\\_stp.zip](#)

English

By downloading the CAD file I accept and agree to the [Terms and Conditions](#) of use.

---

### Product Specifications

[FASTON & FASTIN-FASTON conn. .250 srs. flag rec. etc.](#)

[Application Specification](#)

---

### Agency Approvals

[Agency Approval Document](#)

English