

1801174-4 ✓ ACTIVE

### Sensor Flat Contact System

TE Internal #: 1801174-4

2 Position Housing, Housing for Male Terminals, Wire-to-Wire, 3.33 mm [.131 in] Centerline, Sealable, Yellow, Wire & Cable, Sensor Flat Contact System

[View on TE.com >](#)



Connectors > Automotive Connectors > Automotive Housings



Number of Positions: 2

Connector & Housing Type: **Housing for Male Terminals**

Connector System: **Wire-to-Wire**

Centerline (Pitch): **3.33 mm [.131 in]**

Sealable: **Yes**

### Features

#### Industry Standards

IP Rating	IP69K
UL Flammability Rating	UL 94HB

#### Dimensions

Product Width	55.8 mm[2.197 in]
Product Length	17.4 mm[.685 in]
Connector Height	17.6 mm[.693 in]

#### Mechanical Attachment

Strain Relief	Add By Accessory
Terminal Position Assurance	Yes
Mating Alignment Type	Keyed
Mating Alignment	With
Connector Mounting Type	Cable Mount (Free-Hanging)

#### Contact Features

Contact Size	1.5mm
Contact Type	Tab
Contact Current Rating (Max)	8 A

#### Other

Serviceable	Yes
-------------	-----



Connector Position Assurance Capable	No
--------------------------------------	----

EU RoHS Compliance	Compliant
--------------------	-----------

EU ELV Compliance	Compliant
-------------------	-----------

### Electrical Characteristics

Operating Voltage	16 VDC
-------------------	--------

Nominal Voltage Architecture	16 V
------------------------------	------

### Body Features

Cable Exit Angle	180°
------------------	------

Primary Product Color	Yellow
-----------------------	--------

Connector & Keying Code	4
-------------------------	---

### Housing Features

Housing Material	PBT GF
------------------	--------

Centerline (Pitch)	3.33 mm [.131 in]
--------------------	-------------------

### Product Type Features

Mixed & Hybrid Connector	No
--------------------------	----

Connector Shape	Rectangular
-----------------	-------------

Connector & Housing Type	Housing for Male Terminals
--------------------------	----------------------------

Connector System	Wire-to-Wire
------------------	--------------

Sealable	Yes
----------	-----

Primary Locking Feature	On the Terminal
-------------------------	-----------------

Connector & Contact Terminates To	Wire & Cable
-----------------------------------	--------------

### Configuration Features

Number of Positions	2
---------------------	---

Number of Rows	1
----------------	---

### Usage Conditions

Operating Temperature (Max)	130 °C, 80 °C, 105 °C, 100 °C, 90 °C, 85 °C, 75 °C, 70 °C, 150 °C, 145 °C, 140 °C, 110 °C, 120 °C, 125 °C [293 °F] [248 °F] [221 °F] [167 °F] [158 °F] [266 °F] [212 °F] [257 °F] [230 °F] [176 °F] [194 °F] [284 °F] [185 °F] [302 °F]
-----------------------------	---

Operating Temperature Range	-40 – 150 °C [-40 – 302 °F]
-----------------------------	-----------------------------

### Operation/Application

Circuit Application	Signal
---------------------	--------



## Product Compliance

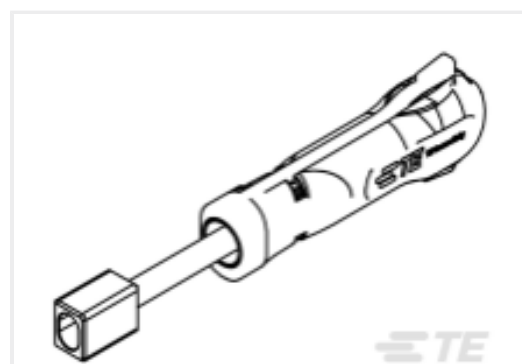
[For compliance documentation, visit the product page on TE.com>](#)

EU RoHS Directive 2011/65/EU	Compliant
EU ELV Directive 2000/53/EC	Compliant
China RoHS 2 Directive MIIT Order No 32, 2016	No Restricted Materials Above Threshold
EU REACH Regulation (EC) No. 1907/2006	Current ECHA Candidate List: JUNE 2024 (241) Candidate List Declared Against: JUNE 2024 (241) Does not contain REACH SVHC
Halogen Content	Low Halogen - Br, Cl, F, I < 900 ppm per homogenous material. Also BFR/CFR/PVC Free
Solder Process Capability	Not applicable for solder process capability

### Product Compliance Disclaimer

This information is provided based on reasonable inquiry of our suppliers and represents our current actual knowledge based on the information they provided. This information is subject to change. The part numbers that TE has identified as EU RoHS compliant have a maximum concentration of 0.1% by weight in homogenous materials for lead, hexavalent chromium, mercury, PBB, PBDE, DBP, BBP, DEHP, DIBP, and 0.01% for cadmium, or qualify for an exemption to these limits as defined in the Annexes of Directive 2011/65/EU (RoHS2). Finished electrical and electronic equipment products will be CE marked as required by Directive 2011/65/EU. Components may not be CE marked. Additionally, the part numbers that TE has identified as EU ELV compliant have a maximum concentration of 0.1% by weight in homogenous materials for lead, hexavalent chromium, and mercury, and 0.01% for cadmium, or qualify for an exemption to these limits as defined in the Annexes of Directive 2000/53/EC (ELV). Regarding the REACH Regulation, the information TE provides on SVHC in articles for this part number is based on the latest European Chemicals Agency (ECHA) 'Guidance on requirements for substances in articles' posted at this URL: <https://echa.europa.eu/guidance-documents/guidance-on-reach>

## Compatible Parts



TE Part # 1-1579008-4  
EXTRACTION TOOL, 2POS.  
SECONDARY LOCK CL.



TE Part # 1-1823174-5  
2POS,1.5MM SFC,REC HSG ASSY,SLD



TE Part # 1-1801175-9  
2W RECEPTACLE HP CONNECTOR  
ORANGE



TE Part # 1-1579008-1  
EXTRACTION TOOL SECONDARY  
LOCK OPENING




TE Part # 1801175-4  
2W RECEPTACLE HP CONNECTOR  
YELLOW



TE Part # 1-1801175-4  
2W RECEPTACLE HP CONNECTOR  
YELLOW



TE Part # 2141502-4  
2POS,1.5MM SFC,REC HSG,ASSY,  
SEALED,YW



TE Part # 1-1823174-4  
2POS,1.5MM SFC,REC HSG ASSY,SLD



TE Part # 1801176-8  
2W RECEPTACLE HPSL CONNECTOR  
RED



TE Part # 1-1801155-5  
COVER FOR 2W HP CONNECTOR



TE Part # 1801176-4  
2W RECEPTACLE HPSL CONNECTOR  
YELLOW



TE Part # 1801466-1  
COVER, FIXED, 2 WAY HP  
CONNECTOR



TE Part # 1-1823174-8  
2POS,1.5MM SFC,REC HSG ASSY,SLD



TE Part # 1-1579008-3  
EXTRACTION TOOL



TE Part # 1-1801466-1  
COVER, FIXED, 2 WAY HP  
CONNECTOR



TE Part # 1801150-4  
TAB HOUSING 2 W HP YELLOW



TE Part # 1-1801466-2  
COVER, FIXED, 2 WAY HP  
CONNECTOR



TE Part # 2141502-8  
2POS,1.5MM SFC,REC HSG,ASSY,  
SEALED,RD




TE Part # 1-1801356-1  
ROTATIVE COVER, RIGHT ANGLE,  
2W HP CONN




TE Part # 1801466-2  
COVER, FIXED, 2 WAY HP  
CONNECTOR

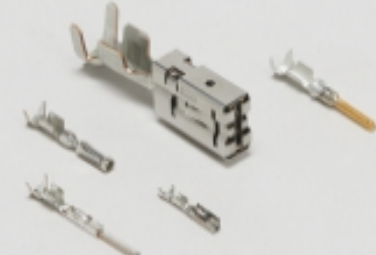
Also in the Series | **Sensor Flat Contact System**




Automotive Connector Caps & Covers  
(9)



Automotive Housings(39)

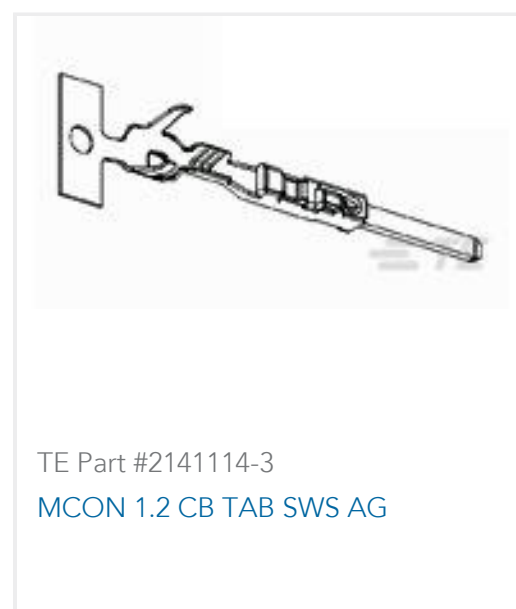


Automotive Terminals(16)



Insertion & Extraction Tools(7)

Customers Also Bought



## Documents

### Product Drawings

[2W TAB HP CONNECTOR YELLOW](#)

English

### CAD Files

Customer View Model

[ENG\\_CVM\\_CVM\\_1801174-4\\_B.2d\\_dxf.zip](#)

English

### 3D PDF

3D

Customer View Model

[ENG\\_CVM\\_CVM\\_1801174-4\\_B.3d\\_igs.zip](#)

English

Customer View Model

[ENG\\_CVM\\_CVM\\_1801174-4\\_B.3d\\_stp.zip](#)

English

By downloading the CAD file I accept and agree to the [Terms and Conditions](#) of use.

## Product Specifications

1801174-4

2 Position Housing, Housing for Male Terminals, Wire-to-Wire, 3.33 mm [.131 in]  
Centerline, Sealable, Yellow, Wire & Cable, Sensor Flat Contact System



## Product Specification

English