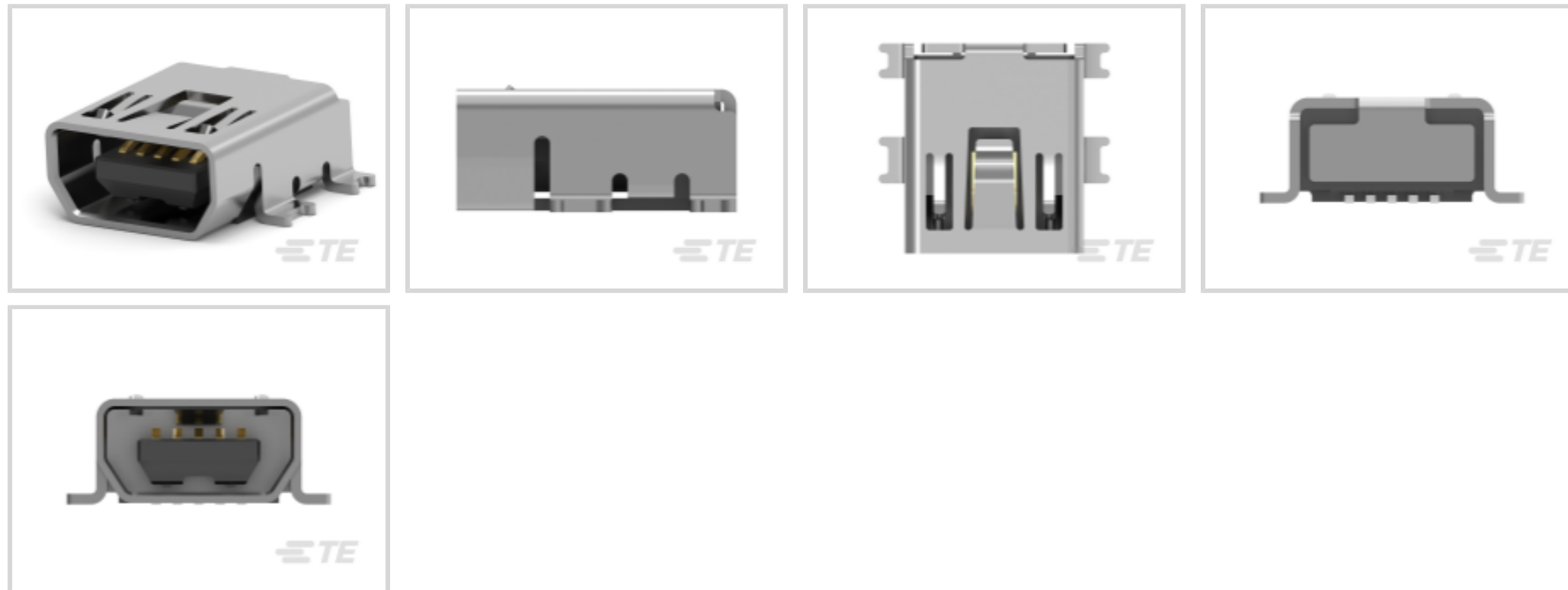




TE Internal #: 1775051-1  
 A/B, 2.0, Mini Profile, Receptacle, 1 Port, Top, Right Angle, Tape & Reel, Flush, Surface Mount, Cable-to-Board, 5 Position, USB Connectors

[View on TE.com >](#)

Connectors > Audio & Video Connectors > USB Connectors



USB Adapter Type: **A/B**  
 USB Version: **2.0**  
 Connector Profile: **Mini**  
 Connector & Housing Type: **Receptacle**  
 Number of Ports: **1**

**Features**

**Industry Standards**

Industry Standard	USB 2.0
Moisture Sensitivity Level	1
UL Flammability Rating	UL 94V-0

**Dimensions**

PCB Thickness (Recommended)	1 mm [.039 in]
-----------------------------	----------------

**Operation/Application**

Halogen Free	No
Assembly Process Feature	Carrier Tape
Circuit Application	Power & Signal

**Contact Features**

Contact Mating Area Plating Material Thickness	.76 µm [29.92 µin]
Contact Mating Area Plating Material	Gold Flash over Palladium Nickel
Contact Current Rating (Max)	1 A

**Termination Features**



Termination Post & Tail Length	1.15 mm[.045 in]
--------------------------------	------------------

Termination Method to PCB	Surface Mount
---------------------------	---------------

### Packaging Features

Packaging Quantity	700
--------------------	-----

Packaging Method	Tape & Reel
------------------	-------------

### Housing Features

Housing Material	PA 6T
------------------	-------

Housing Color	Black
---------------	-------

Body Orientation	Right Angle
------------------	-------------

Centerline (Pitch)	.8 mm[.031 in]
--------------------	----------------

### Mechanical Attachment

Locking Feature	With
-----------------	------

PCB Mount Location	Top
--------------------	-----

PCB Connector Seating	Flush
-----------------------	-------

PCB Mount Retention Type	Hold-Down
--------------------------	-----------

Connector Mounting Type	Board Mount
-------------------------	-------------

### Body Features

Shell Plating Finish	Bright
----------------------	--------

Shell Plating Material	Tin over Copper
------------------------	-----------------

Offset	0 mm
--------	------

Connector Profile	Mini
-------------------	------

### Product Type Features

Integral Locking Latch	Without
------------------------	---------

USB Adapter Type	A/B
------------------	-----

USB Version	2.0
-------------	-----

Connector & Housing Type	Receptacle
--------------------------	------------

Connector System	Cable-to-Board
------------------	----------------

Connector & Contact Terminates To	Printed Circuit Board
-----------------------------------	-----------------------

USB Connector Type	Mini USB 2.0 Type-AB
--------------------	----------------------

### Configuration Features

Number of Ports	1
-----------------	---

Number of Positions	5
---------------------	---



### Usage Conditions

Soldering Temperature (Max)	260 °C[500 °F]
Mating Cycles (Max)	5000
Operating Temperature Range	-20 – 60 °C[-4 – 140 °F]

### Other

EU RoHS Compliance	Compliant
EU ELV Compliance	Compliant

### Product Compliance

[For compliance documentation, visit the product page on TE.com>](#)

EU RoHS Directive 2011/65/EU	Compliant
EU ELV Directive 2000/53/EC	Compliant
China RoHS 2 Directive MIIT Order No 32, 2016	No Restricted Materials Above Threshold
EU REACH Regulation (EC) No. 1907/2006	Current ECHA Candidate List: JUNE 2024 (241) Candidate List Declared Against: JUNE 2024 (241) Does not contain REACH SVHC
Halogen Content	Not Low Halogen - contains Br or Cl > 900 ppm.
Solder Process Capability	Reflow solder capable to 260°C

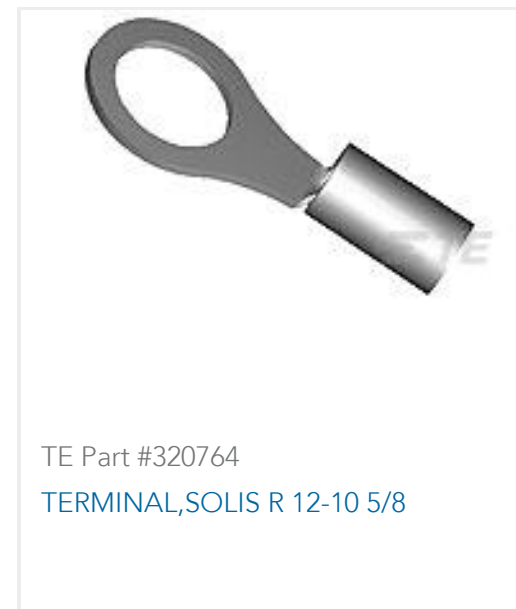
#### Product Compliance Disclaimer

This information is provided based on reasonable inquiry of our suppliers and represents our current actual knowledge based on the information they provided. This information is subject to change. The part numbers that TE has identified as EU RoHS compliant have a maximum concentration of 0.1% by weight in homogenous materials for lead, hexavalent chromium, mercury, PBB, PBDE, DBP, BBP, DEHP, DIBP, and 0.01% for cadmium, or qualify for an exemption to these limits as defined in the Annexes of Directive 2011/65/EU (RoHS2). Finished electrical and electronic equipment products will be CE marked as required by Directive 2011/65/EU. Components may not be CE marked. Additionally, the part numbers that TE has identified as EU ELV compliant have a maximum concentration of 0.1% by weight in homogenous materials for lead, hexavalent chromium, and mercury, and 0.01% for cadmium, or qualify for an exemption to these limits as defined in the Annexes of Directive 2000/53/EC (ELV). Regarding the REACH Regulation, the information TE provides on SVHC in articles for this part number is based on the latest European Chemicals Agency (ECHA) 'Guidance on requirements for substances in articles' posted at this URL: <https://echa.europa.eu/guidance-documents/guidance-on-reach>

### Compatible Parts



## Customers Also Bought



## Documents

### CAD Files

#### Customer View Model

[ENG\\_CVM\\_CVM\\_1775051-1\\_A.2d\\_dxf.zip](#)

English

### 3D PDF

3D

#### Customer View Model

[ENG\\_CVM\\_CVM\\_1775051-1\\_A.3d\\_igs.zip](#)

English



### Customer View Model

[ENG\\_CVM\\_CVM\\_1775051-1\\_A.3d\\_stp.zip](#)

English

By downloading the CAD file I accept and agree to the [Terms and Conditions](#) of use.

### Product Specifications

[Crimping of AMP Lattice Contact](#)

English

[Application Specification](#)

English

### Agency Approvals

[UL Report](#)

English