

1768048-2 ✓ ACTIVE

Agastat 7000

TE Internal #: 1768048-2

Snap-On Pre-Printed Marker, STD 24 Size, Straight Cut, 0 Marking,
Black Print, Agastat 7000

[View on TE.com >](#)



Identification & Labeling > Pre-Printed Markers > STD Snap-On Markers



Marker Style: **Snap-On**

Marker Size: **STD 24**

Compatible Cable Diameter Range: **15 – 19 mm [.59 – .75 in]**

Marker Cut: **Straight**

Marking Details: **0**

[All STD Snap-On Markers \(958\)](#)

Features

Packaging Features

| | |
|--------------------|-----|
| Packaging Method | Box |
| Packaging Quantity | 50 |

Body Features

| | |
|--------------|---------|
| Marker Style | Snap-On |
| Marker Size | STD 24 |

Dimensions

| | |
|---------------------------------|---------------------------|
| Compatible Cable Diameter Range | 15 – 19 mm [.59 – .75 in] |
|---------------------------------|---------------------------|

Printer/Label Features

| | |
|-----------------|----------|
| Marker Cut | Straight |
| Marking Details | 0 |

Other

| | |
|-----------------------|-----------|
| Printed Marking Color | Black |
| EU RoHS Compliance | Compliant |
| EU ELV Compliance | Compliant |

Product Compliance

[For compliance documentation, visit the product page on TE.com>](#)



| | |
|---|---|
| EU RoHS Directive 2011/65/EU | Compliant |
| EU ELV Directive 2000/53/EC | Compliant |
| China RoHS 2 Directive MIIT Order No 32, 2016 | No Restricted Materials Above Threshold |
| EU REACH Regulation (EC) No. 1907/2006 | Current ECHA Candidate List: JUNE 2024 (241) Candidate List Declared Against: JUNE 2024 (241) Does not contain REACH SVHC |
| Halogen Content | Low Halogen - Br, Cl, F, I < 900 ppm per homogenous material. Also BFR/CFR/PVC Free |
| Solder Process Capability | Not applicable for solder process capability |

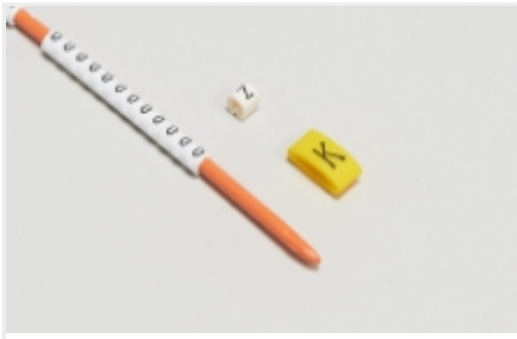
Product Compliance Disclaimer

This information is provided based on reasonable inquiry of our suppliers and represents our current actual knowledge based on the information they provided. This information is subject to change. The part numbers that TE has identified as EU RoHS compliant have a maximum concentration of 0.1% by weight in homogenous materials for lead, hexavalent chromium, mercury, PBB, PBDE, DBP, BBP, DEHP, DIBP, and 0.01% for cadmium, or qualify for an exemption to these limits as defined in the Annexes of Directive 2011/65/EU (RoHS2). Finished electrical and electronic equipment products will be CE marked as required by Directive 2011/65/EU. Components may not be CE marked. Additionally, the part numbers that TE has identified as EU ELV compliant have a maximum concentration of 0.1% by weight in homogenous materials for lead, hexavalent chromium, and mercury, and 0.01% for cadmium, or qualify for an exemption to these limits as defined in the Annexes of Directive 2000/53/EC (ELV). Regarding the REACH Regulation, the information TE provides on SVHC in articles for this part number is based on the latest European Chemicals Agency (ECHA) 'Guidance on requirements for substances in articles' posted at this URL: <https://echa.europa.eu/guidance-documents/guidance-on-reach>

Compatible Parts



Also in the Series | [Agastat 7000](#)



Pre-Printed Markers(957)

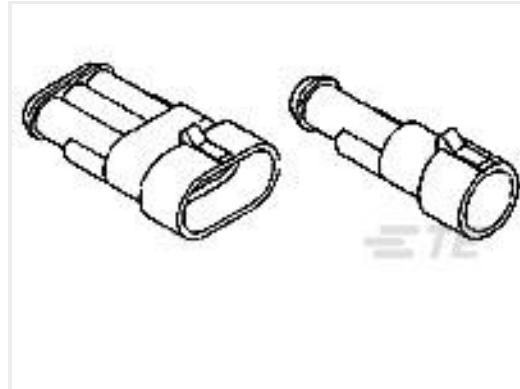


Time Delay Relays(73)

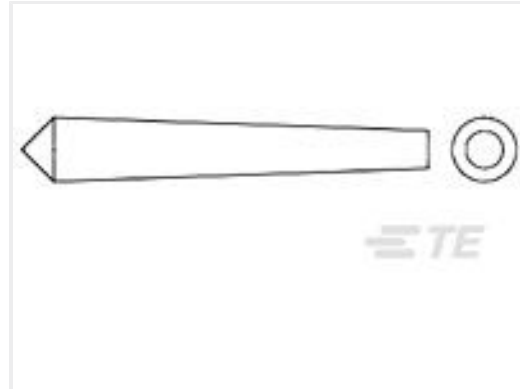
Customers Also Bought



TE Part #1-967402-3
2,5MM ST-GEH KPL 2P



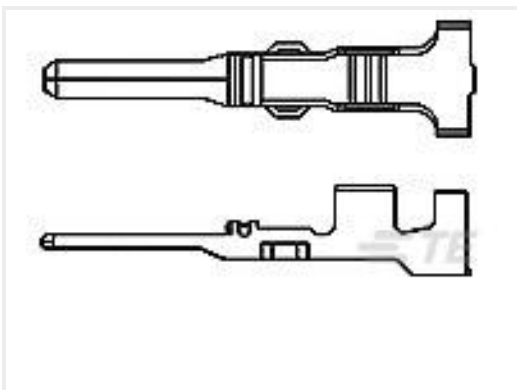
TE Part #282104-1
AMP SUPERSEAL 1.5 SERIES 2P CA



TE Part #770678-1
SEAL PLUG, AMPSEAL



TE Part #1-1418390-1
4 POS AMP MCP 2.8 REC HSG



TE Part #345807-1
ECONO CONT. TAB



TE Part #DT04-2P-CE02
REC, 2P, BLK, E



TE Part #W8P
WEDGE LOCK, 8P, REC, GRN, DT



TE Part #927779-6
JPT REC 2.8 Contact SRC Ag (LP)



TE Part #1-2103172-1
Plug Assembly, 350A, MSD



TE Part #929672-1
55P JUN-POW-TIM HOUSING

Documents

Product Drawings

STD24Y-0

English

Datasheets & Catalog Pages

STD/STB-type Snap-on Pre-printed Wire & Cable Markers

English

IDENTIFICATION SELECTION GUIDE

English



STD and STB Technical Datasheet

English

Product Specifications

[RW-2538 STD and STB work instruction](#)

English