

1768041-6 ✓ ACTIVE

Agastat 7000

TE Internal #: 1768041-6

Yellow Pre-Printed Marker, Snap-On, Size STD 01, Printed Marking B, Black Print, Straight Cut, Polyoxymethylene, Agastat 7000

[View on TE.com >](#)



Identification & Labeling > Pre-Printed Markers > STD Snap-On Markers



Marker Style: **Snap-On**

Marker Size: **STD 01**

Compatible Cable Diameter Range: **1 – 1.4 mm [ .04 – .055 in ]**

Primary Product Color: **Yellow**

Marker Cut: **Straight**

[All STD Snap-On Markers \(957\)](#)

## Features

### Body Features

Marker Style	Snap-On
Marker Size	STD 01
Primary Product Color	Yellow
Primary Product Material	Polyoxymethylene

### Dimensions

Compatible Cable Diameter Range	1 – 1.4 mm [.04 – .055 in]
---------------------------------	----------------------------

### Printer/Label Features

Marker Cut	Straight
Marking Details	B

### Packaging Features

Packaging Method	Strip
Packaging Quantity	300

### Other

Printed Marking Color	Black
-----------------------	-------

## Product Compliance

[For compliance documentation, visit the product page on TE.com>](#)



EU RoHS Directive 2011/65/EU	Compliant
EU ELV Directive 2000/53/EC	Compliant
China RoHS 2 Directive MIIT Order No 32, 2016	有害物质含量符合标准要求 No Restricted Substance(s) Above Threshold
EU REACH Regulation (EC) No. 1907/2006	Current ECHA Candidate List: JUNE 2025 (250) Candidate List Declared Against: JUNE 2025 (250) Does not contain REACH SVHC
Halogen Content	Low Halogen - Br, Cl, F < 900 ppm per homogenous material. Also BFR/CFR/PVC Free
Solder Process Capability	Not applicable for solder process capability

Product Compliance Disclaimer

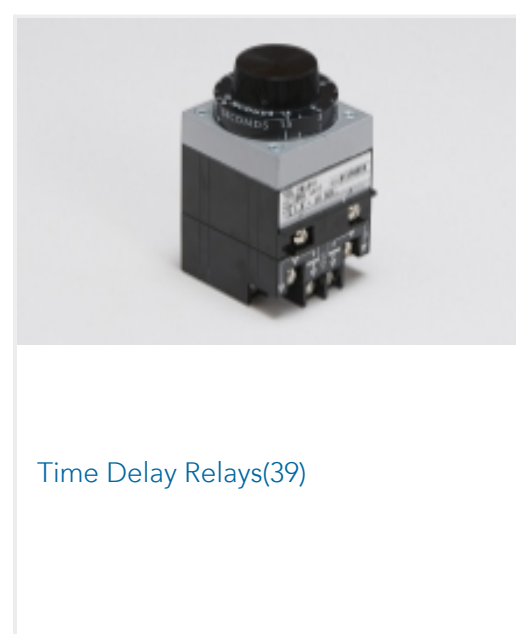
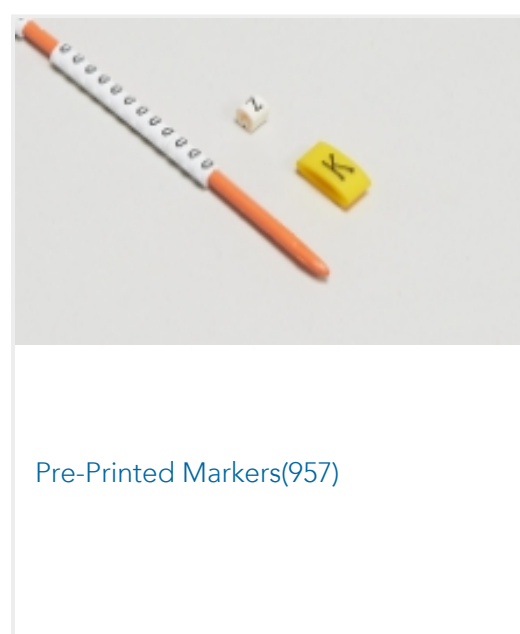
This information is provided based on reasonable inquiry of our suppliers and represents our current actual knowledge based on the information they provided. This information is subject to change. The part numbers that TE has identified as EU RoHS compliant have a maximum concentration of 0.1% by weight in homogenous materials for lead, hexavalent chromium, mercury, PBB, PBDE, DBP, BBP, DEHP, DIBP, and 0.01% for cadmium, or qualify for an exemption to these limits as defined in the Annexes of Directive 2011/65/EU (RoHS2). Finished electrical and electronic equipment products will be CE marked as required by Directive 2011/65/EU. Components may not be CE marked. Additionally, the part numbers that TE has identified as EU ELV compliant have a maximum concentration of 0.1% by weight in homogenous materials for lead, hexavalent chromium, and mercury, and 0.01% for cadmium, or qualify for an exemption to these limits as defined in the Annexes of Directive 2000/53/EC (ELV). Regarding the REACH Regulation, the information TE provides on SVHC in articles for this part number is based on the latest European Chemicals Agency (ECHA) 'Guidance on requirements for substances in articles' posted at this URL: <https://echa.europa.eu/guidance-documents/guidance-on-reach>

## Compatible Parts

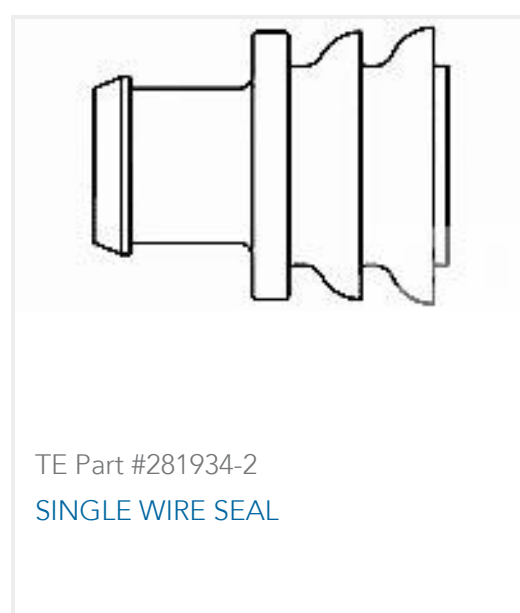
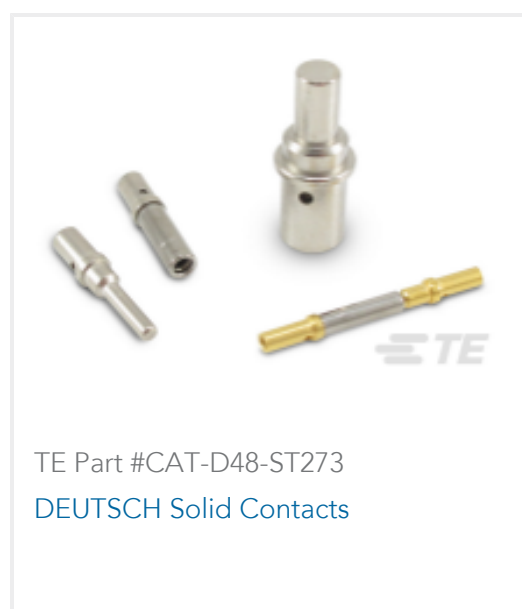


TE Part # 003470-000  
STD01W-P

Also in the Series | **Agastat 7000**



## Customers Also Bought



## Documents

### Product Drawings

[STD01Y-B](#)

English

### Datasheets & Catalog Pages

[STD and STB Technical Datasheet](#)

English

[STD/STB-type Snap-on Pre-printed Wire & Cable Markers](#)

English

[IDENTIFICATION SELECTION GUIDE](#)

English

[Cable Identification Product Shelf Life](#)

English

### Product Specifications

[RW-2538 STD and STB work instruction](#)

English

1768041-6

Yellow Pre-Printed Marker, Snap-On, Size STD 01, Printed Marking B, Black Print,  
Straight Cut, Polyoxymethylene, Agastat 7000

