

1761987-2 ✓ ACTIVE

Mini-SAS

TE Internal #: 1761987-2

Mini-SAS, Receptacle, Cable-to-Board, 36 Position, 2 Row, 1 Port, Right Angle, Surface Mount, .8 mm [.031 in] Centerline, Signal, Mini-SAS

[View on TE.com >](#)



Connectors > PCB Connectors > SAS & MiniSAS > Mini-SAS Shielded Receptacle Assemblies



SAS Connector Type: **Mini-SAS**

Connector & Housing Type: **Receptacle**

Connector System: **Cable-to-Board**

Number of Positions: **36**

Number of Rows: **2**

[All Mini-SAS Shielded Receptacle Assemblies \(19\)](#)

Features

Industry Standards

UL Flammability Rating	UL 94V-0
------------------------	----------

Body Features

Primary Product Color	Black
-----------------------	-------

Packaging Features

Packaging Method	Box & Tube
------------------	------------

Packaging Quantity	30
--------------------	----

Dimensions

Profile Height from PCB	5.35 mm[.211 in]
-------------------------	------------------

Usage Conditions

High Temperature Housing	Yes
--------------------------	-----

Operating Temperature Range	-55 – 105 °C[-67 – 221 °F]
-----------------------------	----------------------------

Mechanical Attachment

PCB Mount Retention	Without
---------------------	---------

Connector Mounting Type	Board Mount
-------------------------	-------------

Contact Features

Contact Underplating Material	Nickel
-------------------------------	--------



Contact Mating Area Plating Material	Gold
Contact Base Material	Phosphor Bronze
PCB Contact Termination Area Plating Material	Tin
	30 µin
Contact Current Rating (Max)	.5 A

Housing Features

Housing Material	LCP (Liquid Crystal Polymer)
Centerline (Pitch)	.8 mm [.031 in]

Product Type Features

Connector & Contact Terminates To	Printed Circuit Board
Shell	Without
SAS Connector Type	Mini-SAS
Connector & Housing Type	Receptacle
Connector System	Cable-to-Board

Configuration Features

Number of Positions	36
Number of Rows	2
Number of Ports	1
PCB Mount Orientation	Right Angle

Termination Features

Termination Method to PCB	Surface Mount
---------------------------	---------------

Operation/Application

Circuit Application	Signal
---------------------	--------

Other

EU RoHS Compliance	Compliant
EU ELV Compliance	Compliant

Product Compliance

[For compliance documentation, visit the product page on TE.com>](#)

EU RoHS Directive 2011/65/EU	Compliant
EU ELV Directive 2000/53/EC	Compliant
China RoHS 2 Directive MIIT Order No 32, 2016	No Restricted Materials Above Threshold



EU REACH Regulation (EC) No. 1907/2006

Current ECHA Candidate List: JUNE 2024 (241)
 Candidate List Declared Against: JUNE 2024 (241)
 Does not contain REACH SVHC

Halogen Content

Low Halogen - Br, Cl, F, I < 900 ppm per homogenous material. Also BFR/CFR/PVC Free

Solder Process Capability

Reflow solder capable to 260°C

Product Compliance Disclaimer

This information is provided based on reasonable inquiry of our suppliers and represents our current actual knowledge based on the information they provided. This information is subject to change. The part numbers that TE has identified as EU RoHS compliant have a maximum concentration of 0.1% by weight in homogenous materials for lead, hexavalent chromium, mercury, PBB, PBDE, DBP, BBP, DEHP, DIBP, and 0.01% for cadmium, or qualify for an exemption to these limits as defined in the Annexes of Directive 2011/65/EU (RoHS2). Finished electrical and electronic equipment products will be CE marked as required by Directive 2011/65/EU. Components may not be CE marked. Additionally, the part numbers that TE has identified as EU ELV compliant have a maximum concentration of 0.1% by weight in homogenous materials for lead, hexavalent chromium, and mercury, and 0.01% for cadmium, or qualify for an exemption to these limits as defined in the Annexes of Directive 2000/53/EC (ELV). Regarding the REACH Regulation, the information TE provides on SVHC in articles for this part number is based on the latest European Chemicals Agency (ECHA) 'Guidance on requirements for substances in articles' posted at this URL: <https://echa.europa.eu/guidance-documents/guidance-on-reach>

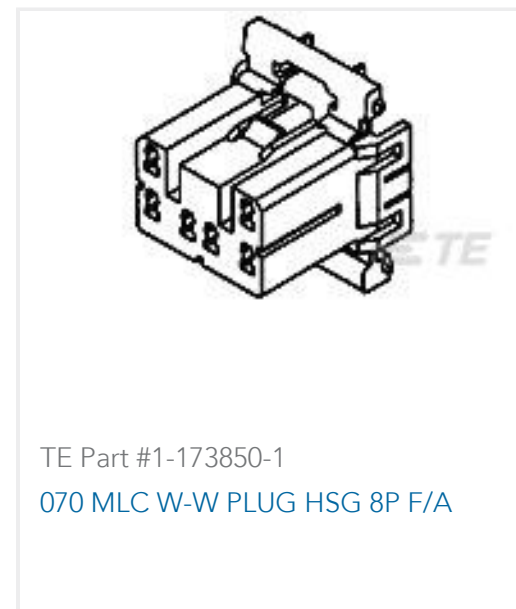
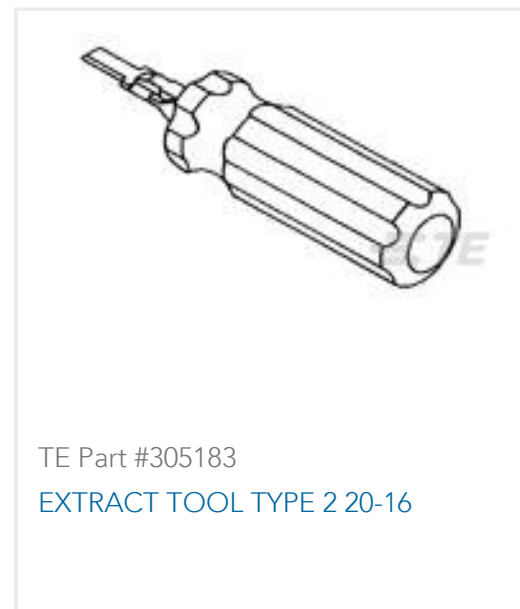
Compatible Parts



Also in the Series | Mini-SAS



Customers Also Bought



Documents

Product Drawings

[recpt conn assy ra 36pos smt sff](#)

English

CAD Files

Customer View Model

[ENG_CVM_CVM_1761987-2_A.2d_dxf.zip](#)

English

[3D PDF](#)

3D

Customer View Model

[ENG_CVM_CVM_1761987-2_A.3d_igs.zip](#)

English

Customer View Model

[ENG_CVM_CVM_1761987-2_A.3d_stp.zip](#)

English

By downloading the CAD file I accept and agree to the [Terms and Conditions](#) of use.

Product Specifications

[Application Specification](#)

English

Agency Approvals

[UL Report](#)

English