

1757823-8 ✓ ACTIVE

AMPLIMITE

TE Internal #: 1757823-8

Plug, Cable-to-Cable, Panel Mount, 26 Position, 2 Shell Size, Pin, Size 22 Contact Size, 2.29 mm [.09 in] Centerline, Wire & Cable, Signal

[View on TE.com >](#)



Connectors > D-Shaped Connectors > D-Sub Connectors > Panel Mount D-Sub Connectors



Connector & Housing Type: **Plug**
Connector System: **Cable-to-Cable**
Connector Mounting Type: **Panel Mount**
Number of Positions: **26**
Power/Signal/Coax Combination: **No**

Features

Termination Features

Termination Method to Wire & Cable	Crimp
------------------------------------	-------

Body Features

Front Shell Material	Steel
Mating Retention Feature Material	Stainless Steel
D-Sub Connector Insert Arrangement	MS18274-2
Rear Shell Plating Material	Zinc
Rear Shell Material	Steel
Front Shell Plating Material	Zinc

Contact Features

Contact Mating Area Plating Material	Gold
Contact Base Material	Copper Alloy
Contact Options	Supplied – Uninstalled
Contact Type	Pin
Contact Size	Size 22
Contact Current Rating (Max)	5 A

Mechanical Attachment

Mounting Hole Diameter	3.05 mm[.12 in]
Connector Mounting Type	Panel Mount



Mating Alignment	Without
------------------	---------

Product Type Features

Connector & Housing Type	Plug
Connector System	Cable-to-Cable
Connector Shell Size	2
Sealable	No
Connector & Contact Terminates To	Wire & Cable

Configuration Features

Number of Positions	26
Power/Signal/Coax Combination	No

Housing Features

Centerline (Pitch)	2.29 mm [.09 in]
--------------------	------------------

Usage Conditions

Operating Temperature Range	-55 – 125 °C [-67 – 257 °F]
-----------------------------	-----------------------------

Operation/Application

Circuit Application	Signal
---------------------	--------

Other

EU RoHS Compliance	Compliant with Exemptions
EU ELV Compliance	Compliant with Exemptions

Product Compliance

[For compliance documentation, visit the product page on TE.com>](#)

EU RoHS Directive 2011/65/EU	Compliant with Exemptions
EU ELV Directive 2000/53/EC	Compliant with Exemptions
China RoHS 2 Directive MIIT Order No 32, 2016	Restricted Materials Above Threshold
EU REACH Regulation (EC) No. 1907/2006	Current ECHA Candidate List: JUNE 2024 (241) Candidate List Declared Against: JUNE 2024 (241) SVHC > Threshold: Pb (1.5% in Component Part) Article Safe Usage Statements: Do not eat, drink or smoke when using this product. Wash thoroughly after handling. Recycle if possible and dispose of the article by following all applicable governmental regulations relevant to your geographic location.
Halogen Content	Not Low Halogen - contains Br or Cl > 900 ppm.

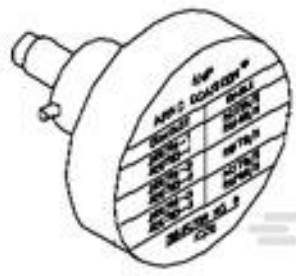
Solder Process Capability

Wave solder capable to 265°C

Product Compliance Disclaimer

This information is provided based on reasonable inquiry of our suppliers and represents our current actual knowledge based on the information they provided. This information is subject to change. The part numbers that TE has identified as EU RoHS compliant have a maximum concentration of 0.1% by weight in homogenous materials for lead, hexavalent chromium, mercury, PBB, PBDE, DBP, BBP, DEHP, DIBP, and 0.01% for cadmium, or qualify for an exemption to these limits as defined in the Annexes of Directive 2011/65/EU (RoHS2). Finished electrical and electronic equipment products will be CE marked as required by Directive 2011/65/EU. Components may not be CE marked. Additionally, the part numbers that TE has identified as EU ELV compliant have a maximum concentration of 0.1% by weight in homogenous materials for lead, hexavalent chromium, and mercury, and 0.01% for cadmium, or qualify for an exemption to these limits as defined in the Annexes of Directive 2000/53/EC (ELV). Regarding the REACH Regulation, the information TE provides on SVHC in articles for this part number is based on the latest European Chemicals Agency (ECHA) 'Guidance on requirements for substances in articles' posted at this URL: <https://echa.europa.eu/guidance-documents/guidance-on-reach>

Compatible Parts



TE Part # 601966-6
NO PRINT *A.S.I.*



TE Part # 601966-1
CRIMPING TOOL M22520/2-01

Customers Also Bought



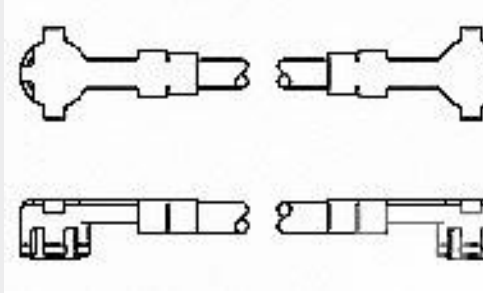
TE Part #1757820-8
AMPLIMITE,ASY,RCPT,STD,109,ZN,3,CT



TE Part #1757824-9
AMPLIMITE,ASY,RCPT,STD,90,ZN,3,CT



TE Part #1757820-7
AMPLIMITE,ASY,RCPT,STD,109,ZN,2,CT



TE Part #1064530-1
9960 1200 24



TE Part #1757820-6
AMPLIMITE,ASY,RCPT,STD,109,ZN,1,CT



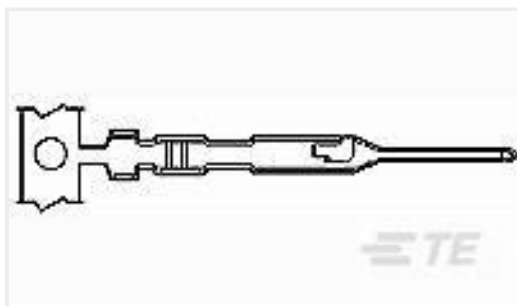
TE Part #U5254-000005-030PA
PRESS XDCR U5254-000005-030PA



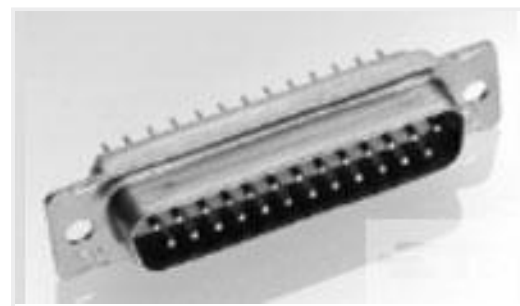
TE Part #1-1757819-0
AMPLIMITE,ASY,PLUG,STD,109,ZN,5,CT



TE Part #1-1757823-0
AMPLIMITE,ASY,PLUG,STD,90,ZN,4,CT



TE Part #104505-5
MTE PIN LP



TE Part #1757823-7
AMPLIMITE,ASY,PLUG,STD,90,ZN,1,CT

Documents

Product Drawings

[AMPLIMITE,ASY,PLUG,STD,90,ZN,2,CT](#)

English

CAD Files

[3D PDF](#)

3D

Customer View Model

[ENG_CVM_CVM_1757823-8_K.2d_dxf.zip](#)

English

Customer View Model

[ENG_CVM_CVM_1757823-8_K.3d_igs.zip](#)

English

Customer View Model

[ENG_CVM_CVM_1757823-8_K.3d_stp.zip](#)

English

By downloading the CAD file I accept and agree to the [Terms and Conditions](#) of use.