

1757820-6 ✓ ACTIVE

AMPLIMITE

TE Internal #: 1757820-6

9 Position D-Shaped Connector, Receptacle, Cable-to-Cable, Panel Mount, Shell Size 1, 2.77 mm [.109 in] Centerline, Wire & Cable, Signal

[View on TE.com >](#)



Connectors > D-Shaped Connectors



Number of Positions: 9

Connector & Housing Type: Receptacle

Connector System: Cable-to-Cable

Connector Mounting Type: Panel Mount

Connector Shell Size: 1

Features

Product Type Features

| | |
|-----------------------------------|----------------|
| Connector & Housing Type | Receptacle |
| Connector System | Cable-to-Cable |
| Connector Shell Size | 1 |
| Sealable | No |
| Connector & Contact Terminates To | Wire & Cable |

Configuration Features

| | |
|-------------------------------|----|
| Number of Positions | 9 |
| Power/Signal/Coax Combination | No |

Body Features

| | |
|------------------------------------|-----------------|
| Front Shell Material | Steel |
| Mating Retention Feature Material | Stainless Steel |
| D-Sub Connector Insert Arrangement | MS18273-1 |
| Rear Shell Plating Material | Zinc |
| Rear Shell Material | Steel |
| Front Shell Plating Material | Zinc |

Contact Features

| | |
|--------------------------------------|-----------|
| Contact Underplating Material | Nickel |
| Contact Mating Area Plating Material | Gold (Au) |



| | |
|------------------------------|------------------------|
| Contact Base Material | Copper Alloy |
| Contact Type | Socket |
| Contact Size | Size 20 |
| Contact Current Rating (Max) | 7.5 A |
| Contact Options | Supplied – Uninstalled |

Termination Features

| | |
|------------------------------------|-------|
| Termination Method to Wire & Cable | Crimp |
|------------------------------------|-------|

Mechanical Attachment

| | |
|-------------------------|------------------|
| Mounting Hole Diameter | 3.05 mm [.12 in] |
| Connector Mounting Type | Panel Mount |
| Mating Alignment | Without |

Housing Features

| | |
|--------------------|-------------------|
| Centerline (Pitch) | 2.77 mm [.109 in] |
|--------------------|-------------------|

Usage Conditions

| | |
|-----------------------------|-----------------------------|
| Operating Temperature Range | -55 – 125 °C [-67 – 257 °F] |
|-----------------------------|-----------------------------|

Operation/Application

| | |
|---------------------|--------|
| Circuit Application | Signal |
|---------------------|--------|

Packaging Features

| | |
|------------------|---------|
| Packaging Method | Package |
|------------------|---------|

Product Compliance

[For compliance documentation, visit the product page on TE.com>](#)

| | |
|---|--|
| EU RoHS Directive 2011/65/EU | Not Compliant |
| EU ELV Directive 2000/53/EC | Compliant with Exemptions |
| China RoHS 2 Directive MIIT Order No 32, 2016 | 有害物质含量超出标准 Restricted Substance(s) Above Threshold |
| EU REACH Regulation (EC) No. 1907/2006 | Current ECHA Candidate List: JUNE 2025 (250) Candidate List Declared Against: JUNE 2025 (250) SVHC > Threshold: Pb (1.2% in 74021991) Article Safe Usage Statements: Do not eat, drink or smoke when using this product. Wash thoroughly after handling. Recycle if possible and dispose of the article by following all applicable governmental regulations relevant to your geographic location. |
| Halogen Content | Not Low Halogen - contains Br or Cl > 900 |

ppm.

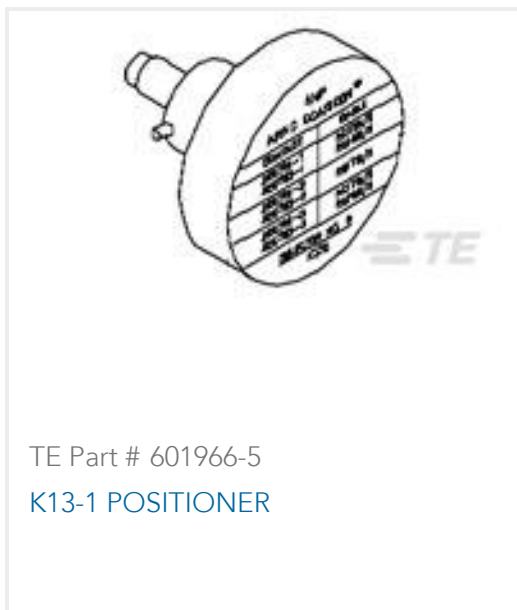
Solder Process Capability

Not applicable for solder process capability

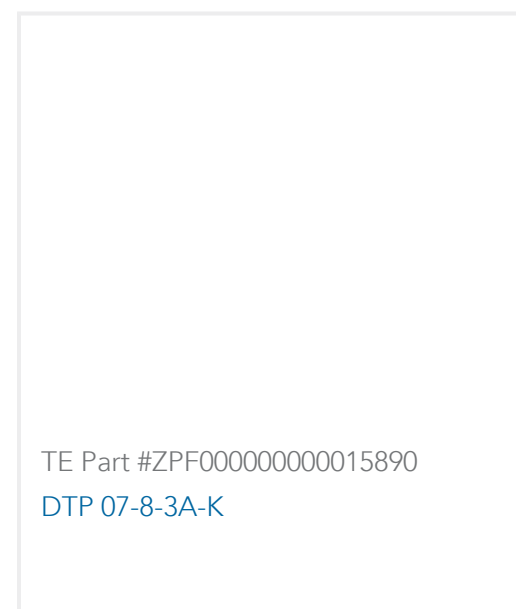
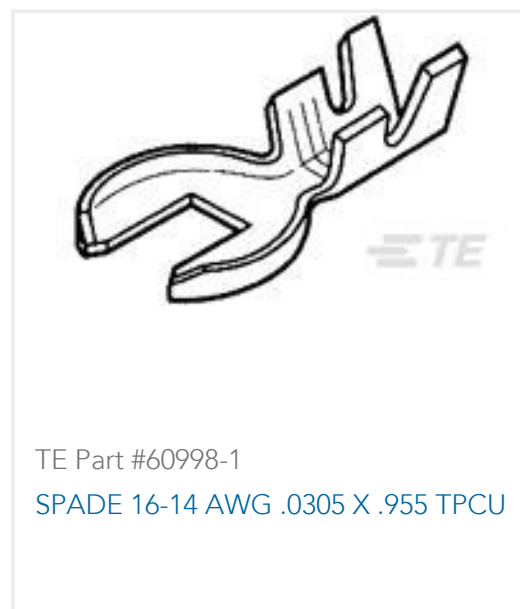
Product Compliance Disclaimer

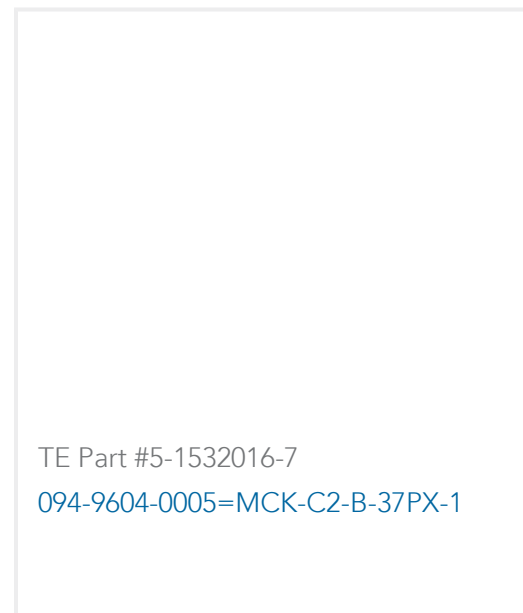
This information is provided based on reasonable inquiry of our suppliers and represents our current actual knowledge based on the information they provided. This information is subject to change. The part numbers that TE has identified as EU RoHS compliant have a maximum concentration of 0.1% by weight in homogenous materials for lead, hexavalent chromium, mercury, PBB, PBDE, DBP, BBP, DEHP, DIBP, and 0.01% for cadmium, or qualify for an exemption to these limits as defined in the Annexes of Directive 2011/65/EU (RoHS2). Finished electrical and electronic equipment products will be CE marked as required by Directive 2011/65/EU. Components may not be CE marked. Additionally, the part numbers that TE has identified as EU ELV compliant have a maximum concentration of 0.1% by weight in homogenous materials for lead, hexavalent chromium, and mercury, and 0.01% for cadmium, or qualify for an exemption to these limits as defined in the Annexes of Directive 2000/53/EC (ELV). Regarding the REACH Regulation, the information TE provides on SVHC in articles for this part number is based on the latest European Chemicals Agency (ECHA) 'Guidance on requirements for substances in articles' posted at this URL: <https://echa.europa.eu/guidance-documents/guidance-on-reach>

Compatible Parts



Customers Also Bought





Documents

Product Drawings

[AMPLIMITE,ASY,RCPT,STD,109,ZN,1,CT](#)

English

CAD Files

Customer View Model

[ENG_CVM_CVM_1757820-6_J1.3d_stp.zip](#)

English

Customer View Model

[ENG_CVM_CVM_1757820-6_J1.2d_dxf.zip](#)

English

Customer View Model

[ENG_CVM_CVM_1757820-6_J1.3d_igs.zip](#)

English

3D PDF

3D

By downloading the CAD file I accept and agree to the [Terms and Conditions](#) of use.