

174656-7 ✓ ACTIVE

Econoseal

TE Internal #: 174656-7

TPA (Terminal Position Assurance), Yellow, PBT, -30 – 105 °C [-22 – 221 °F]

[View on TE.com >](#)



Connectors > Automotive Connectors > Automotive Connector Accessories > Automotive Connector Locks & Position Assurance



Connector & Contact Retention Accessory Type: **TPA (Terminal Position Assurance)**

Primary Product Color: **Yellow**

Primary Product Material: **PBT**

Operating Temperature Range: **-30 – 105 °C [-22 – 221 °F]**

EU RoHS Compliance: **Compliant**

Features

Industry Standards

| | |
|------------------------|----------|
| UL Flammability Rating | UL 94V-2 |
|------------------------|----------|

Packaging Features

| | |
|--------------------|------|
| Packaging Method | Bag |
| Packaging Quantity | 1000 |

Other

| | |
|--------------------|-----------|
| Serviceable | Yes |
| EU RoHS Compliance | Compliant |
| EU ELV Compliance | Compliant |

Product Type Features

| | |
|--|-----------------------------------|
| Connector & Contact Retention Accessory Type | TPA (Terminal Position Assurance) |
|--|-----------------------------------|

Body Features

| | |
|--------------------------|--------|
| Primary Product Color | Yellow |
| Primary Product Material | PBT |

Usage Conditions

| | |
|-----------------------------|----------------------------|
| Operating Temperature Range | -30 – 105 °C[-22 – 221 °F] |
|-----------------------------|----------------------------|

Product Compliance

[For compliance documentation, visit the product page on TE.com>](#)

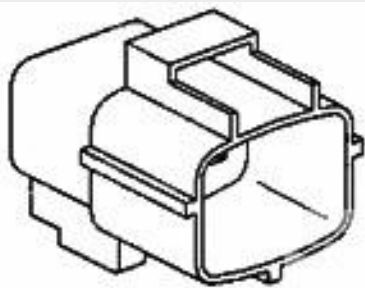


| | |
|---|---|
| EU RoHS Directive 2011/65/EU | Compliant |
| EU ELV Directive 2000/53/EC | Compliant |
| China RoHS 2 Directive MIIT Order No 32, 2016 | No Restricted Materials Above Threshold |
| EU REACH Regulation (EC) No. 1907/2006 | Current ECHA Candidate List: JUNE 2024 (241) Candidate List Declared Against: JUNE 2024 (241) Does not contain REACH SVHC |
| Halogen Content | Not Low Halogen - contains Br or Cl > 900 ppm. |
| Solder Process Capability | Not applicable for solder process capability |

Product Compliance Disclaimer

This information is provided based on reasonable inquiry of our suppliers and represents our current actual knowledge based on the information they provided. This information is subject to change. The part numbers that TE has identified as EU RoHS compliant have a maximum concentration of 0.1% by weight in homogenous materials for lead, hexavalent chromium, mercury, PBB, PBDE, DBP, BBP, DEHP, DIBP, and 0.01% for cadmium, or qualify for an exemption to these limits as defined in the Annexes of Directive 2011/65/EU (RoHS2). Finished electrical and electronic equipment products will be CE marked as required by Directive 2011/65/EU. Components may not be CE marked. Additionally, the part numbers that TE has identified as EU ELV compliant have a maximum concentration of 0.1% by weight in homogenous materials for lead, hexavalent chromium, and mercury, and 0.01% for cadmium, or qualify for an exemption to these limits as defined in the Annexes of Directive 2000/53/EC (ELV). Regarding the REACH Regulation, the information TE provides on SVHC in articles for this part number is based on the latest European Chemicals Agency (ECHA) 'Guidance on requirements for substances in articles' posted at this URL: <https://echa.europa.eu/guidance-documents/guidance-on-reach>

Compatible Parts



TE Part # 174657-2
10 POS. CAP MK II +

Customers Also Bought



TE Part #2383365-1
V23136A0103X153-SZ-CBOX



TE Part #174658-7
10 POS DL PLATE FOR CAP MKII+



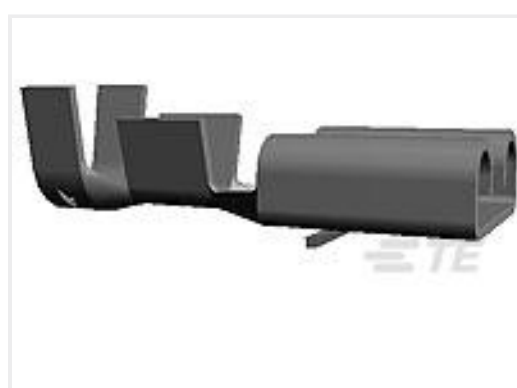
TE Part #174662-7
12 POS PLUG MARK II+



TE Part #2822357-1
070 CAVITY PLUG



TE Part #CAT-EC7491-CH8172
ECONOSEAL, CONNECTOR
HOUSING



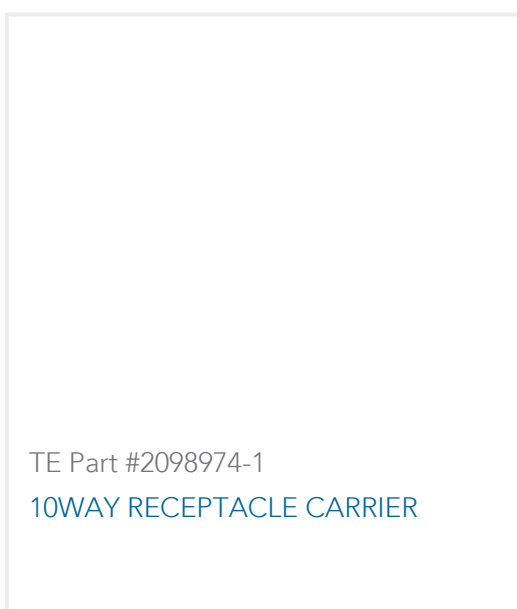
TE Part #160917-3
FF 250 REC 1-2.5MM2 PB



TE Part #2236047-1
32POS,MIXED,RECEPTACLE
CONNECTOR,COD A



TE Part #2822395-1
070 ECONOSEAL MARK-2+ PLUG 10P



TE Part #2098974-1
10WAY RECEPTACLE CARRIER

Documents

Product Drawings

10 POS DL PLATE FOR PLUG MKII+

English

CAD Files

Customer View Model

[ENG_CVM_174656-7_B.3d_igs.zip](#)

English

Customer View Model

[ENG_CVM_174656-7_B.3d_stp.zip](#)

English

Customer View Model

[ENG_CVM_174656-7_B.2d_dxf.zip](#)

English

3D PDF

English

By downloading the CAD file I accept and agree to the [Terms and Conditions](#) of use.

Product Specifications

Product Specification

English

Product Specification

Japanese

Instruction Sheets

ECONOSEAL J MARK II+ CONNECTOR (EJ-MK II+)

English



[Customer Manual \(non U.S.\)](#)

English

[ECONOSEAL J MARK II+ CONNECTOR](#)

English

[Customer Manual \(non U.S.\)](#)

English