



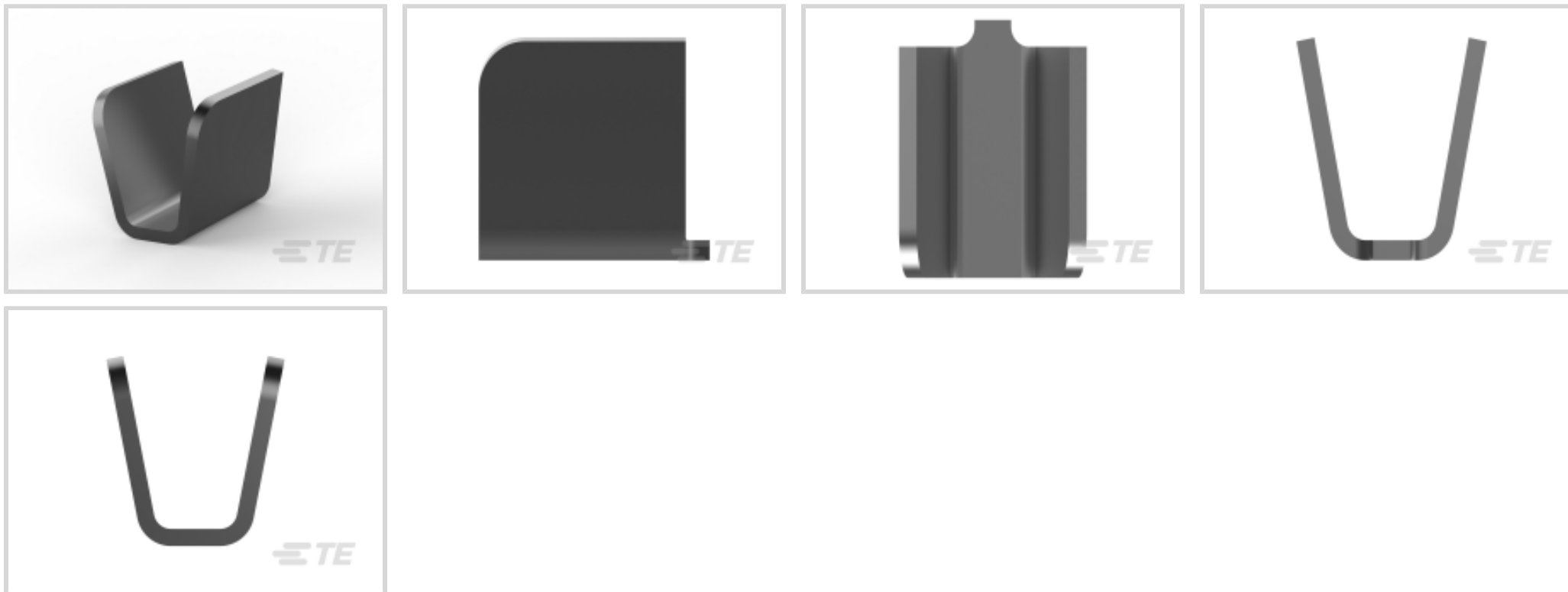
AMPLIVAR

TE Internal #: 1742898-1

Pigtail Splice, 9 – 6.5 AWG, 4.8 – 9.45 mm² Wire, 3 Splice Capacity, Serrated, 14000 – 22000 CMA, Brass, 9 Serration, AMPLIVAR

[View on TE.com >](#)

Terminals & Splices > Splices



Splice Type: **Pigtail Splice**

Wire Size: **4.8 – 9.45 mm²**

Sealable: **No**

Splice Capacity: **3**

Features

Electrical Characteristics

Operating Voltage	250 V
-------------------	-------

Termination Features

Termination Method to Wire & Cable	Crimp
Crimp Width	6.35 mm, 6.85 mm [.27 in][.25 in]

Packaging Features

Packaging Quantity	12000
Packaging Method	Strip

Contact Features

Terminal Plating Material	Tin
Contact Base Material	Brass
Barrel Type	Open

Body Features

Product Weight	.761 g
Splice Features	Serrated

Configuration Features



Strip Orientation	End Feed
Splice Capacity	3
Number of Serrations	9

Dimensions

Product Width	6.35 mm[.25 in]
Wire Size	14000 – 22000 CMA
Compatible Insulation Diameter Range	3 – 3.47 mm[.118 – .137 in]
Terminal Material Thickness	.76 mm[.03 in]
Product Length	8.64 mm[.34 in]

Product Type Features

Splice Type	Pigtail Splice
Sealable	No
Compatible With Discrete Wire Type	Solid, Magnet Wire

Mechanical Attachment

Wire Insulation Support	Without
-------------------------	---------

Usage Conditions

Insulation Option	Uninsulated
Operating Temperature Range	-65 – 150 °C[-85 – 302 °F]

Operation/Application

Compatible With Wire Base Material	Aluminum, Copper
------------------------------------	------------------

Industry Standards

Government Qualified Splice	No
-----------------------------	----

Other

EU RoHS Compliance	Compliant
EU ELV Compliance	Compliant

Product Compliance

[For compliance documentation, visit the product page on TE.com>](#)

EU RoHS Directive 2011/65/EU	Compliant
EU ELV Directive 2000/53/EC	Compliant
China RoHS 2 Directive MIIT Order No 32, 2016	No Restricted Materials Above Threshold



EU REACH Regulation (EC) No. 1907/2006

Current ECHA Candidate List: JUNE 2024 (241)

Candidate List Declared Against: JUNE 2024 (241)

Does not contain REACH SVHC

Halogen Content

Low Halogen - Br, Cl, F, I < 900 ppm per homogenous material. Also BFR/CFR/PVC Free

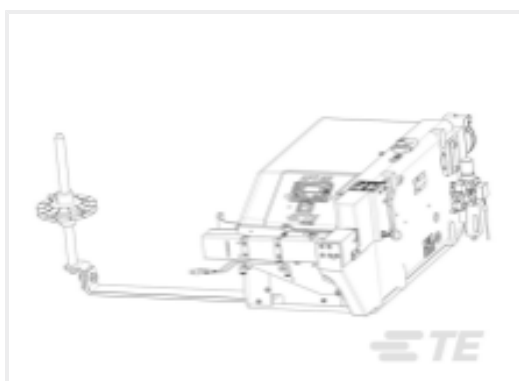
Solder Process Capability

Not applicable for solder process capability

Product Compliance Disclaimer

This information is provided based on reasonable inquiry of our suppliers and represents our current actual knowledge based on the information they provided. This information is subject to change. The part numbers that TE has identified as EU RoHS compliant have a maximum concentration of 0.1% by weight in homogenous materials for lead, hexavalent chromium, mercury, PBB, PBDE, DBP, BBP, DEHP, DIBP, and 0.01% for cadmium, or qualify for an exemption to these limits as defined in the Annexes of Directive 2011/65/EU (RoHS2). Finished electrical and electronic equipment products will be CE marked as required by Directive 2011/65/EU. Components may not be CE marked. Additionally, the part numbers that TE has identified as EU ELV compliant have a maximum concentration of 0.1% by weight in homogenous materials for lead, hexavalent chromium, and mercury, and 0.01% for cadmium, or qualify for an exemption to these limits as defined in the Annexes of Directive 2000/53/EC (ELV). Regarding the REACH Regulation, the information TE provides on SVHC in articles for this part number is based on the latest European Chemicals Agency (ECHA) 'Guidance on requirements for substances in articles' posted at this URL: <https://echa.europa.eu/guidance-documents/guidance-on-reach>

Compatible Parts



TE Part # 1-2217700-7
APT 5E HF



TE Part # 737060-2
AMPLIVAR SPL 5 SERR W/INS SUP



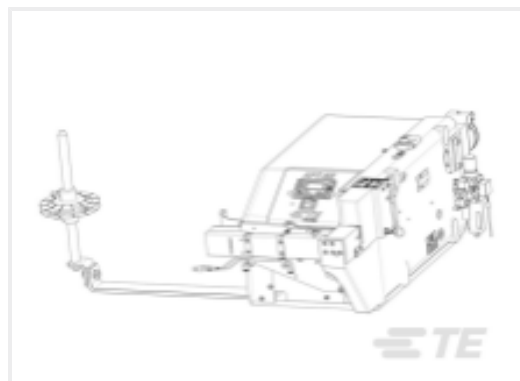
TE Part # 1742324-2
AMVAR STAKE SPLICE 020TPBR



TE Part # 737060-1
AMPLIVAR SPL 5 SERR W/INS SUP



TE Part # 63562-1
SPLICE 10400-22900 030TPBR



TE Part # 1-2217700-8
APT 5E HF



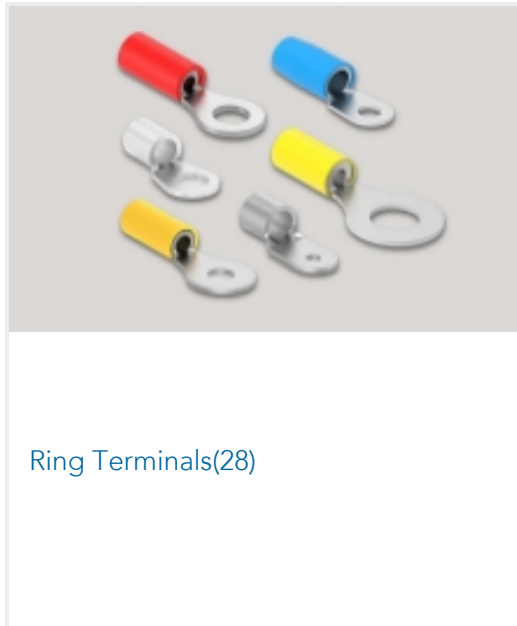
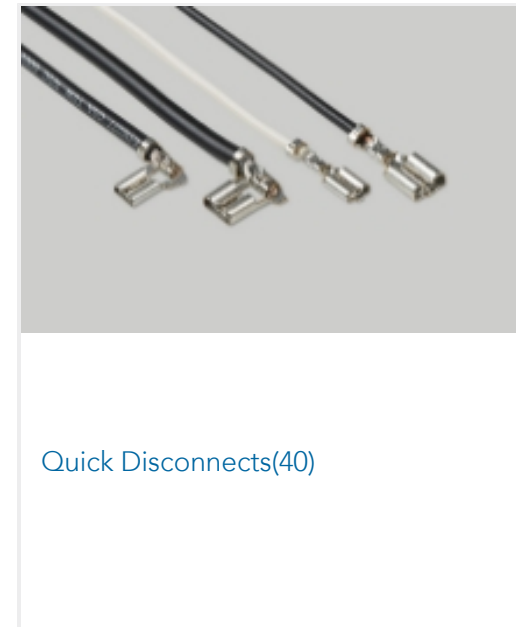
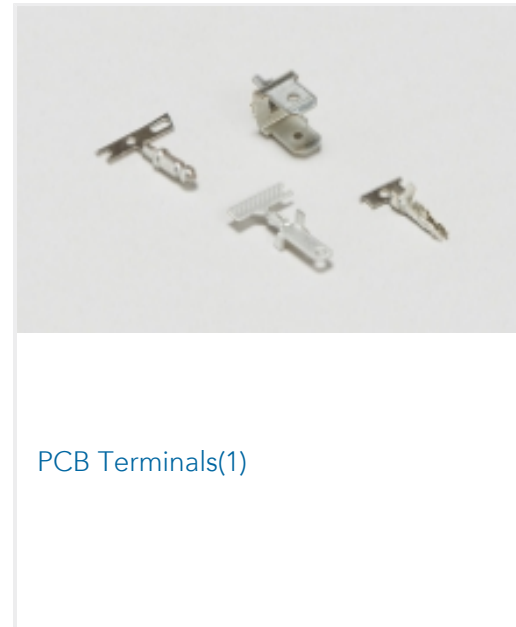
TE Part # 1-2217600-7
APT-5A HF



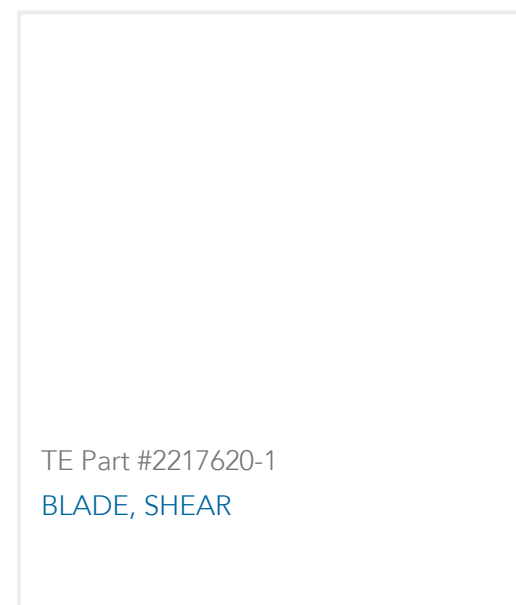
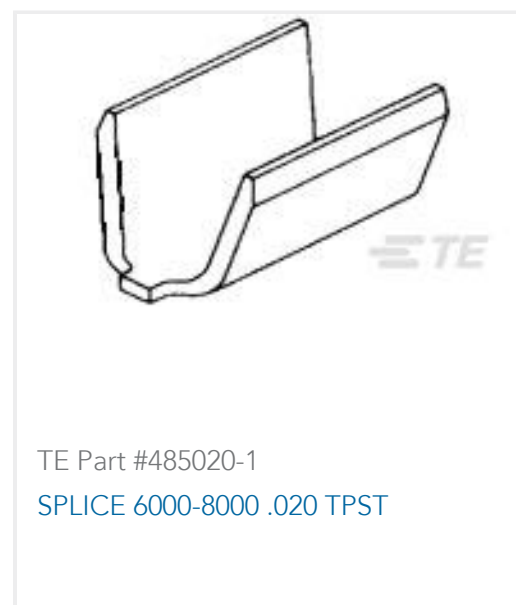
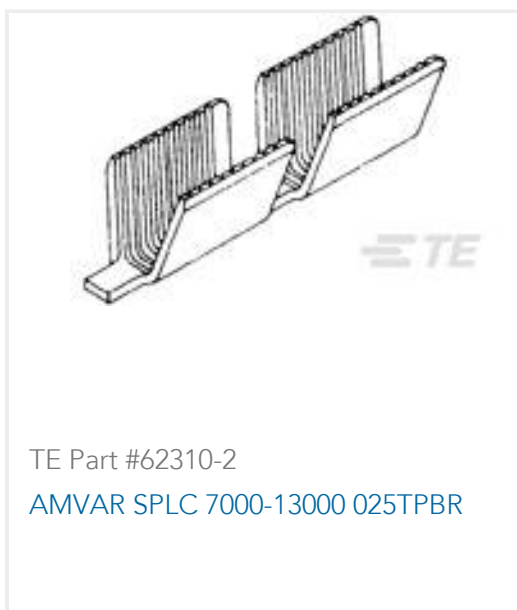
TE Part # 1742348-1
9 Serr AMPLIVAR Spade

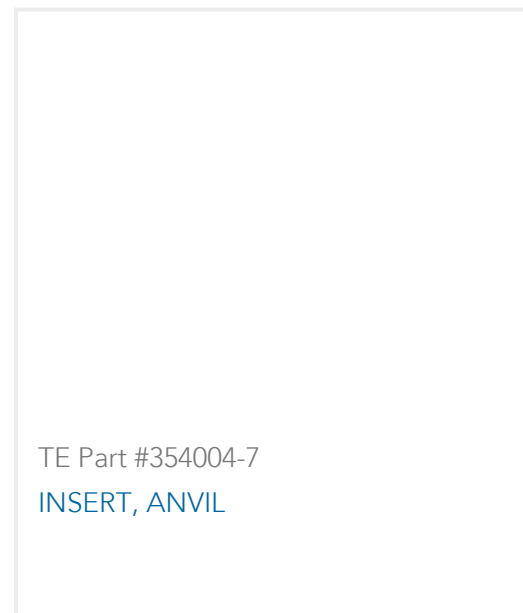
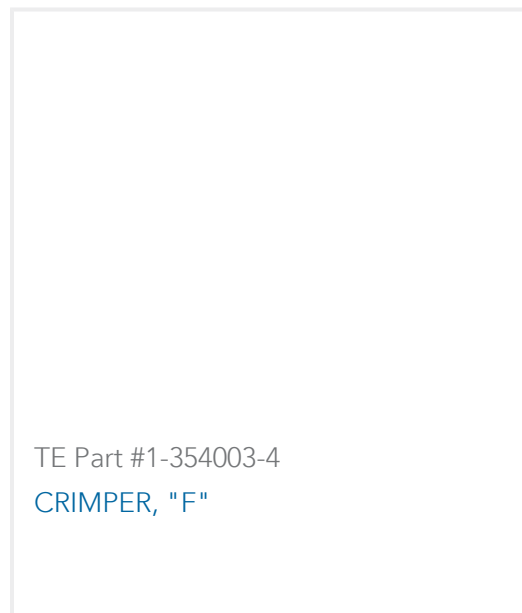


Also in the Series | **AMPLIVAR**



Customers Also Bought





Documents

Product Drawings

[AMVAR SPLC 10M-22M 0295 TPBR](#)

English

CAD Files

[3D PDF](#)

3D

Customer View Model

[ENG_CVM_CVM_1742898-1_C_c-1742898-1-c.2d_dxf.zip](#)

English

Customer View Model

[ENG_CVM_CVM_1742898-1_C_c-1742898-1-c.3d_igs.zip](#)

English

Customer View Model

[ENG_CVM_CVM_1742898-1_C_c-1742898-1-c.3d_stp.zip](#)

English

By downloading the CAD file I accept and agree to the [Terms and Conditions](#) of use.

Product Specifications

[Application Specification](#)

English