



Product Compliance

[For compliance documentation, visit the product page on TE.com>](#)

EU RoHS Directive 2011/65/EU	Compliant
EU ELV Directive 2000/53/EC	Compliant
China RoHS 2 Directive MIIT Order No 32, 2016	有害物质含量符合标准要求 No Restricted Substance(s) Above Threshold
EU REACH Regulation (EC) No. 1907/2006	Current ECHA Candidate List: JUNE 2025 (250) Candidate List Declared Against: JUNE 2025 (250) Does not contain REACH SVHC
Halogen Content	Low Halogen - Br, Cl, F < 900 ppm per homogenous material. Also BFR/CFR/PVC Free
Solder Process Capability	Not reviewed for solder process capability

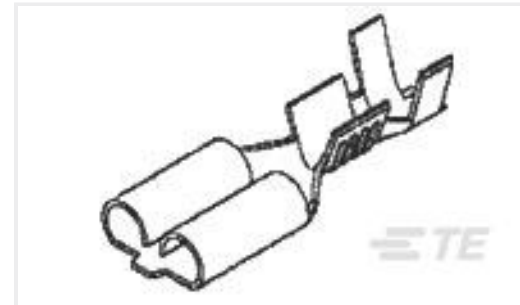
Product Compliance Disclaimer

This information is provided based on reasonable inquiry of our suppliers and represents our current actual knowledge based on the information they provided. This information is subject to change. The part numbers that TE has identified as EU RoHS compliant have a maximum concentration of 0.1% by weight in homogenous materials for lead, hexavalent chromium, mercury, PBB, PBDE, DBP, BBP, DEHP, DIBP, and 0.01% for cadmium, or qualify for an exemption to these limits as defined in the Annexes of Directive 2011/65/EU (RoHS2). Finished electrical and electronic equipment products will be CE marked as required by Directive 2011/65/EU. Components may not be CE marked. Additionally, the part numbers that TE has identified as EU ELV compliant have a maximum concentration of 0.1% by weight in homogenous materials for lead, hexavalent chromium, and mercury, and 0.01% for cadmium, or qualify for an exemption to these limits as defined in the Annexes of Directive 2000/53/EC (ELV). Regarding the REACH Regulation, the information TE provides on SVHC in articles for this part number is based on the latest European Chemicals Agency (ECHA) 'Guidance on requirements for substances in articles' posted at this URL: <https://echa.europa.eu/guidance-documents/guidance-on-reach>

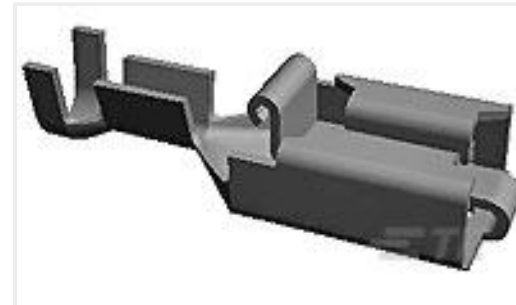
Customers Also Bought



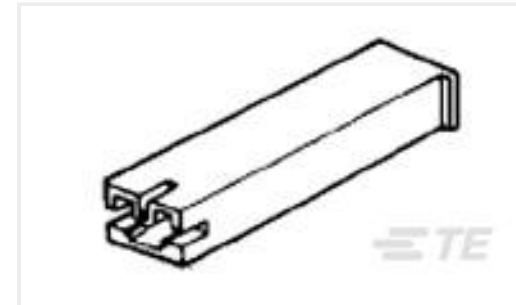
TE Part #0989076002
RBK-ILS-125-NR2-0-50MM



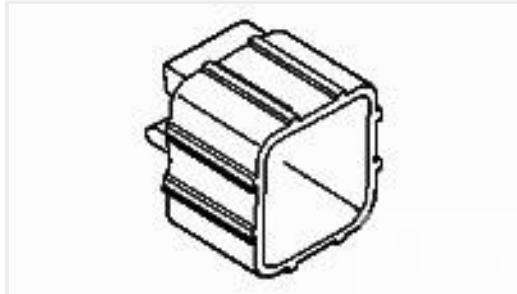
TE Part #170032-2
250 FASTON,REC.,20-14 AWG,BR



TE Part #170233-1
PL 250 REC 0.5-2.27 MM2 BR



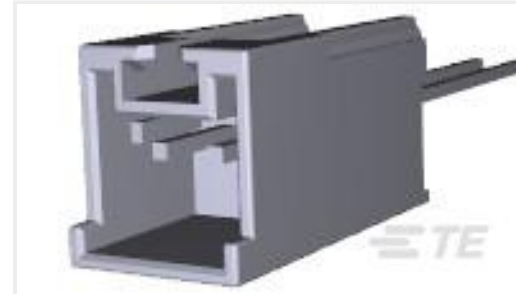
TE Part #172074-1
187 HSG. PLMKII REC. NAT



TE Part #174265-7
ECONO-J MK-2 LOCK PLATE CAP 6P



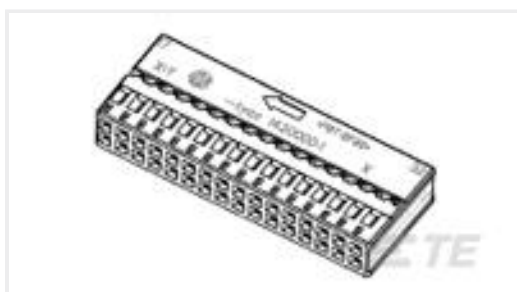
TE Part #179464-1
POWER DBL LOCK CAP HSG F/H 3P



TE Part #917722-1
2.5 SIGNAL D/LOCK HDR ASSY 2P



TE Part #917728-1
2.5 SIGNAL D/LOCK HDR ASSY 8P



TE Part #1420000-1
32POS MQS REC



TE Part #2232902-1
AMP POWER DBL LOCK REC (S)

Documents

Product Drawings

250 FASTON HSG.,REC.,6 POS,NATRUAL

English

CAD Files

Customer View Model

[ENG_CVM_CVM_174204-1_A.2d_dxf.zip](#)

English

3D PDF

3D

Customer View Model

[ENG_CVM_CVM_174204-1_A.3d_igs.zip](#)

English

Customer View Model

[ENG_CVM_CVM_174204-1_A.3d_stp.zip](#)

English

By downloading the CAD file I accept and agree to the [Terms and Conditions](#) of use.

Product Specifications



Crimping of 250 Series Tab and Receptacle Contacts

Japanese

Application Specification

Japanese