

1734100-8 ✓ ACTIVE

CHAMP | CHAMP .050 Series I

TE Internal #: 1734100-8

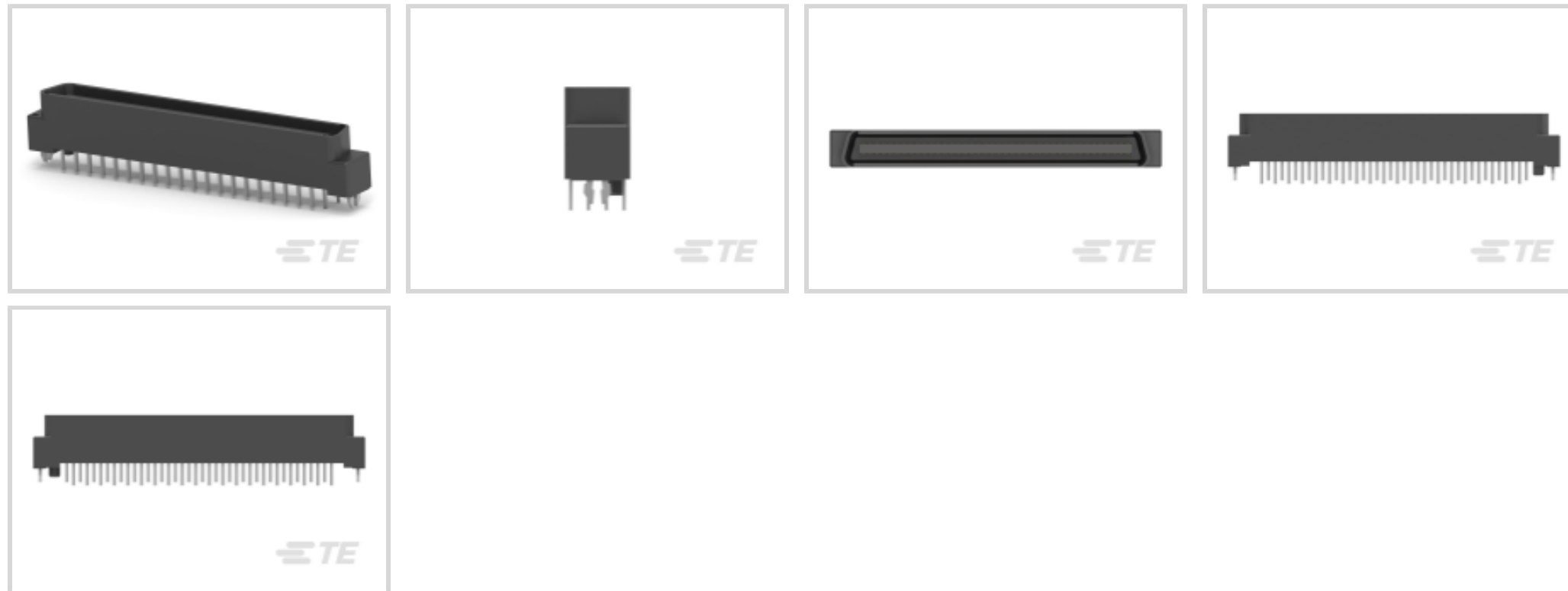
PCB Mount Header, Vertical, Board-to-Board, 80 Position, 1.27 mm

[.05 in] Centerline, Fully Shrouded, Gold Flash, CHAMP .050 Series I

[View on TE.com >](#)



Connectors > PCB Connectors > PCB Headers & Receptacles



PCB Connector Assembly Type: **PCB Mount Header**

PCB Mount Orientation: **Vertical**

Connector System: **Board-to-Board**

Number of Positions: **80**

Centerline (Pitch): **1.27 mm [.05 in]**

Features

Electrical Characteristics

Operating Voltage	250 VAC
Insulation Resistance	4 MΩ
Dielectric Withstanding Voltage (Max)	750 VAC

Packaging Features

Packaging Quantity	54
Packaging Method	Tube

Body Features

PCB Retention Feature Material	Brass
PCB Retention Feature Plating Material	Tin-Copper over Nickel
Connector Profile	Standard
Primary Product Color	Black

Operation/Application

Assembly Process Feature	None
Circuit Application	Signal



Mechanical Attachment

Mating Alignment Type	Guide Post
PCB Mount Retention Type	Boardlock, Retention Leg
PCB Mount Alignment Type	Locating Posts
PCB Mount Retention	With
PCB Mount Alignment	With
Connector Mounting Type	Board Mount
Mating Alignment	With

Termination Features

Rectangular Termination Post & Tail Width	.5 mm[.02 in]
Rectangular Termination Post & Tail Thickness	.32 mm[.013 in]
Termination Post & Tail Length	2.54 mm[.1 in]
Termination Method to PCB	Through Hole - Solder

Contact Features

PCB Contact Termination Area Plating Material Finish	Matte
	30 µin
Mating Tab Width	.75 mm[.03 in]
PCB Contact Termination Area Plating Material Thickness	3.81 µm[149.9997 µin]
Contact Shape & Form	Square
Contact Layout	Matrix
Contact Base Material	Phosphor Bronze
Mating Tab Thickness	.3 mm[.012 in]
PCB Contact Termination Area Plating Material	Tin
Contact Mating Area Plating Material Finish	Matte
Contact Mating Area Plating Material	Gold Flash
Contact Type	Pin
Contact Current Rating (Max)	1 A

Housing Features

Housing Material	Matte
Centerline (Pitch)	1.27 mm[.05 in]

Configuration Features

Stackable	No
-----------	----



PCB Mount Orientation	Vertical
-----------------------	----------

Number of Positions	80
---------------------	----

Product Type Features

PCB Connector Assembly Type	PCB Mount Header
-----------------------------	------------------

Connector System	Board-to-Board
------------------	----------------

Header Type	Fully Shrouded
-------------	----------------

Sealable	No
----------	----

Connector & Contact Terminates To	Printed Circuit Board
-----------------------------------	-----------------------

Usage Conditions

Operating Temperature Range	-55 – 105 °C[-67 – 221 °F]
-----------------------------	----------------------------

Industry Standards

UL Flammability Rating	UL 94V-0
------------------------	----------

Other

EU RoHS Compliance	Compliant
--------------------	-----------

EU ELV Compliance	Compliant
-------------------	-----------

Product Compliance

[For compliance documentation, visit the product page on TE.com>](#)

EU RoHS Directive 2011/65/EU	Compliant
------------------------------	-----------

EU ELV Directive 2000/53/EC	Compliant
-----------------------------	-----------

China RoHS 2 Directive MIIT Order No 32, 2016	No Restricted Materials Above Threshold
---	---

EU REACH Regulation (EC) No. 1907/2006	Current ECHA Candidate List: JUNE 2024 (241) Candidate List Declared Against: JUNE 2024 (241) Does not contain REACH SVHC
--	---

Halogen Content	Low Halogen - Br, Cl, F, I < 900 ppm per homogenous material. Also BFR/CFR/PVC Free
-----------------	---

Solder Process Capability	Wave solder capable to 265°C
---------------------------	------------------------------

Product Compliance Disclaimer

This information is provided based on reasonable inquiry of our suppliers and represents our current actual knowledge based on the information they provided. This information is subject to change. The part numbers that TE has identified as EU RoHS compliant have a maximum concentration of 0.1% by weight in homogenous materials for lead, hexavalent chromium, mercury, PBB, PBDE, DBP, BBP, DEHP, DIBP, and 0.01% for cadmium, or qualify for an exemption to these limits as defined in the Annexes of Directive 2011/65/EU (RoHS2). Finished electrical and electronic equipment products will be CE marked as required by Directive 2011/65/EU. Components may not be CE marked. Additionally, the part

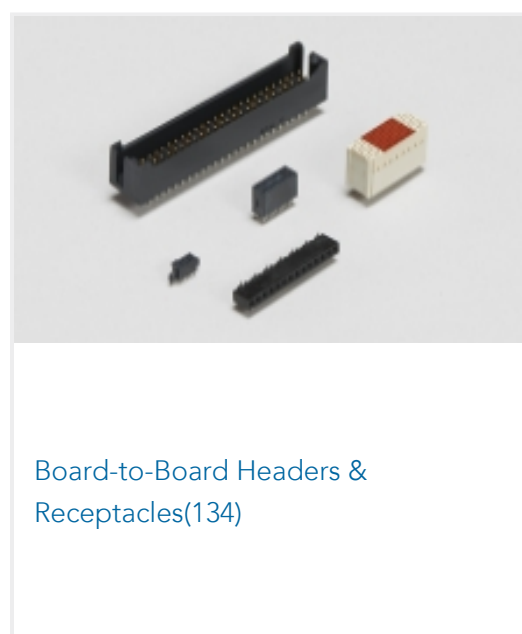


numbers that TE has identified as EU ELV compliant have a maximum concentration of 0.1% by weight in homogenous materials for lead, hexavalent chromium, and mercury, and 0.01% for cadmium, or qualify for an exemption to these limits as defined in the Annexes of Directive 2000/53/EC (ELV). Regarding the REACH Regulation, the information TE provides on SVHC in articles for this part number is based on the latest European Chemicals Agency (ECHA) 'Guidance on requirements for substances in articles' posted at this URL: <https://echa.europa.eu/guidance-documents/guidance-on-reach>

Compatible Parts

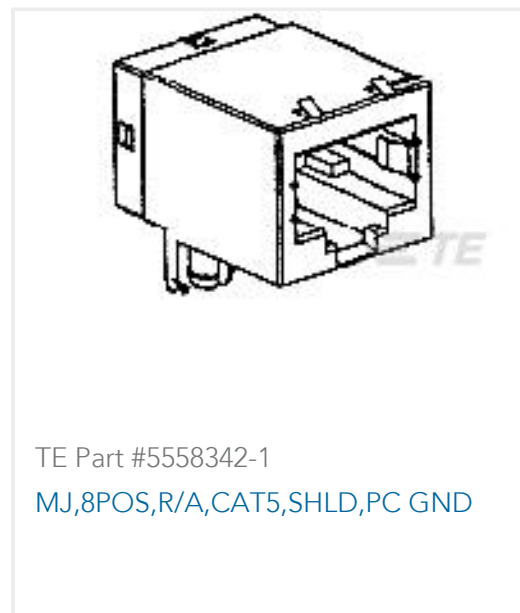
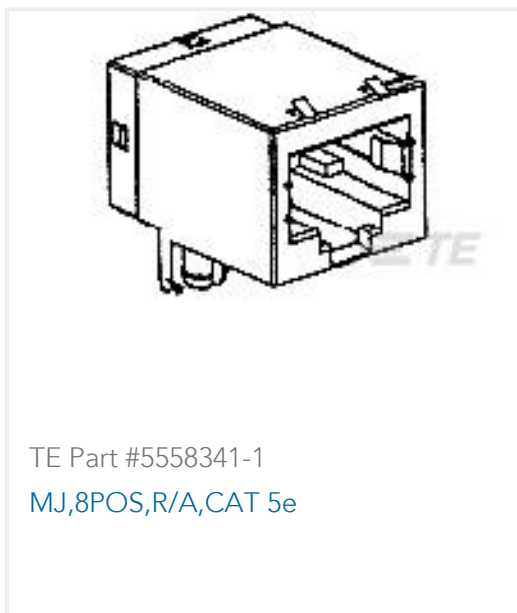


Also in the Series | CHAMP .050 Series I



Customers Also Bought





Documents

CAD Files

[3D PDF](#)

3D

Customer View Model

[ENG_CVM_CVM_1734100-8_E.2d_dxf.zip](#)

English

Customer View Model

[ENG_CVM_CVM_1734100-8_E.3d_igs.zip](#)

English

Customer View Model

[ENG_CVM_CVM_1734100-8_E.3d_stp.zip](#)

English

By downloading the CAD file I accept and agree to the [Terms and Conditions](#) of use.

Product Specifications

[Application Specification](#)

English

[CHAMP .050 High Density Connector](#)

English

[Application Specification](#)

English