

172320-2 ✓ ACTIVE



Positive Lock | Positive Lock 250

TE Internal #: 172320-2

Receptacle, Receptacle, 1 Position, Straight, UL 94V-2, Black, Nylon,
Cable Mount (Free-Hanging), Positive Lock 250, Crimp Terminal
Housings

[View on TE.com >](#)

Terminals & Splices > Terminal Housings, Insulation Sleeves & Blocks > Crimp Terminal Housings



Terminal Type: **Receptacle**

Connector & Housing Type: **Receptacle**

Number of Positions: **1**

Terminal Orientation: **Straight**

UL Flammability Rating: **UL 94V-2**

Features

Packaging Features

Packaging Quantity	100
--------------------	-----

Mechanical Attachment

Mating Alignment Type	Polarization
Mating Alignment	With
Connector Mounting Type	Cable Mount (Free-Hanging)

Product Type Features

Sealable	No
Connector & Housing Type	Receptacle

Configuration Features

Number of Positions	1
---------------------	---

Body Features

Primary Product Color	Black
-----------------------	-------

Contact Features

--	--



Terminal Type	Receptacle
Terminal Orientation	Straight
Contact Mating Retention	Without

Housing Features

Housing Material	Nylon
------------------	-------

Usage Conditions

Operating Temperature Range	-40 – 105 °C[-40 – 221 °F]
-----------------------------	----------------------------

Industry Standards

UL Flammability Rating	UL 94V-2
------------------------	----------

Other

EU RoHS Compliance	Compliant
EU ELV Compliance	Compliant

Product Compliance

[For compliance documentation, visit the product page on TE.com>](#)

EU RoHS Directive 2011/65/EU	Compliant
EU ELV Directive 2000/53/EC	Compliant
China RoHS 2 Directive MIIT Order No 32, 2016	No Restricted Materials Above Threshold
EU REACH Regulation (EC) No. 1907/2006	Current ECHA Candidate List: JUNE 2024 (241) Candidate List Declared Against: JUNE 2024 (241) Does not contain REACH SVHC
Halogen Content	Low Halogen - Br, Cl, F, I < 900 ppm per homogenous material. Also BFR/CFR/PVC Free
Solder Process Capability	Not applicable for solder process capability

Product Compliance Disclaimer

This information is provided based on reasonable inquiry of our suppliers and represents our current actual knowledge based on the information they provided. This information is subject to change. The part numbers that TE has identified as EU RoHS compliant have a maximum concentration of 0.1% by weight in homogenous materials for lead, hexavalent chromium, mercury, PBB, PBDE, DBP, BBP, DEHP, DIBP, and 0.01% for cadmium, or qualify for an exemption to these limits as defined in the Annexes of Directive 2011/65/EU (RoHS2). Finished electrical and electronic equipment products will be CE marked as required by Directive 2011/65/EU. Components may not be CE marked. Additionally, the part numbers that TE has identified as EU ELV compliant have a maximum concentration of 0.1% by weight in homogenous materials for lead, hexavalent chromium, and mercury, and 0.01% for cadmium, or qualify for an exemption to these limits as defined in the Annexes of Directive 2000/53/EC (ELV). Regarding the REACH Regulation, the information TE provides on SVHC in articles for this part number is based on the latest European Chemicals Agency (ECHA) 'Guidance on requirements for substances in articles' posted at this URL: <https://echa.europa.eu/guidance-documents/guidance-on-reach>

Compatible Parts



TE Part # 170452-1
PL 250 AM REC 22-20 AWG 0.406 X 21 BR



TE Part # 170454-2
PL 250 AM REC 18-14 0.40 X 21 PRE-TPBR



TE Part # 170456-2
PL 250 AM REC 12-10 0.40 X 21 PRE-TPBR



TE Part # 724659-2
EXT TOOL FOR POSITIVE .250



TE Part # 172863-8
250 P.LOCK MK-II 1P HSG RED



TE Part # 170452-2
PL 250 AUTOMOTIVE REC 22-20 AWG PRE TPBR

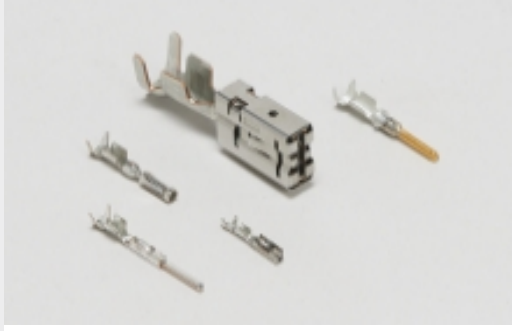


TE Part # 170456-1
PL 250 AUTOMOTIVE REC 12-10 0.40 X 21 BR

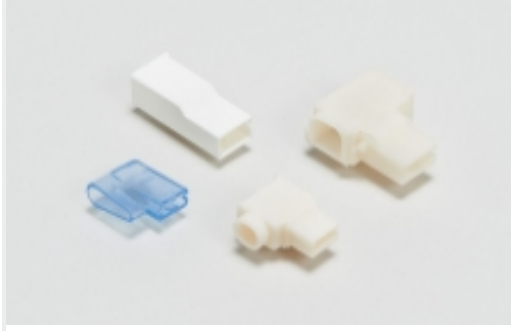


TE Part # 170454-1
PL 250 AUTOMOTIVE REC 18-14 0.40 X 21 BR


Also in the Series | Positive Lock 250



Automotive Terminals(1)




Crimp Terminal Housings(182)



Insertion & Extraction Tools(3)

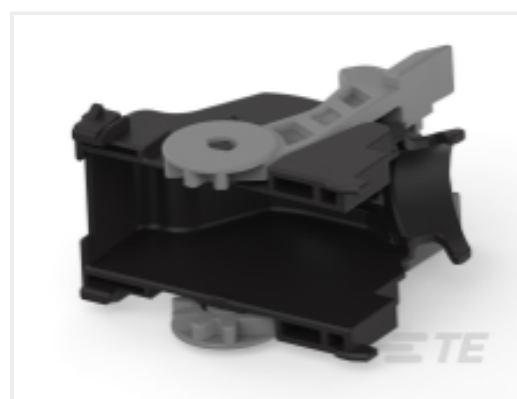


Insulation Boots & Sleeves(5)



Quick Disconnects(174)

Customers Also Bought



TE Part #2367837-1
REC CONN CVR ASSY,84POS,0.5
SERIES,TYPE2



TE Part #2367834-1
REC CONN CVR ASSY,84POS,0.5
SERIES,TYPE1



TE Part #170452-1
PL 250 AM REC 22-20 AWG 0.406 X 21
BR



TE Part #CAT-T319-CH8172
TH/.025 CONNECTOR SYSTEM,
HOUSING



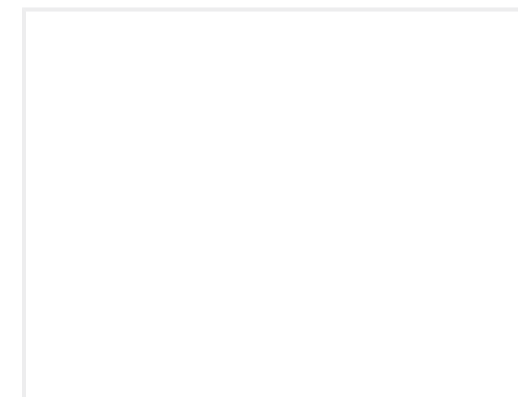
TE Part #316837-2
040-3 UNSEALED REC CONT. S AU



TE Part #2367826-3
84POS,0.5 SERIES,REC HSG ASSY,SLD



TE Part #284223-3
24 POS.KIT ASSY FOR AIR BAG (G



TE Part #5-21028-1
PIN,SLOTTED SPRING



TE Part #2373977-3
025 14P JOINT PLUG ASSY TYPE C

Documents

Product Drawings

POSITIVE LOCK 250 (6.3 MM) HOUSING

English

CAD Files

Customer View Model

[ENG_CVM_CVM_172320-2_L.2d_dxf.zip](#)

English

3D PDF

3D

Customer View Model

[ENG_CVM_CVM_172320-2_L.3d_igs.zip](#)

English

Customer View Model

[ENG_CVM_CVM_172320-2_L.3d_stp.zip](#)

English

By downloading the CAD file I accept and agree to the [Terms and Conditions](#) of use.

Product Specifications



[Crimping of 250 Series, Automotive Positive Lock Receptacle Contact](#)

English

[Application Specification](#)

English

[Instruction Sheets](#)

[Instruction Sheet \(non U.S.\)](#)

English

[Instruction Sheet \(non U.S.\)](#)

Japanese

[Agency Approvals](#)

[UL Report](#)

English