



Connectors > Connector Accessories > Connector Hardware



Connector Hardware Accessory Type: **Guide Socket Kit**

Primary Product Material: **Stainless Steel**

Operating Temperature (Max): **150 °C [302 °F]**

Operating Temperature Range: **-55 – 150 °C [-67 – 302 °F]**

Hardware Accessory Function: **Guide Hardware**

Features

Mechanical Attachment

Hardware Type Included	Nuts and Lockwashers
Thread Size	4-40

Dimensions

Product Width	5.58 mm[.22 in]
Product Length	20.3 mm[.799 in]
Product Height	5.58 mm[.22 in]

Packaging Features

Packaging Method	Bag
Packaging Quantity	100

Product Type Features

Connector Hardware Accessory Type	Guide Socket Kit
Hardware Accessory Function	Guide Hardware

Body Features

Primary Product Material	Stainless Steel
--------------------------	-----------------

Usage Conditions

Operating Temperature (Max)	150 °C[302 °F]
Operating Temperature Range	-55 – 150 °C[-67 – 302 °F]

Other

EU RoHS Compliance	Compliant with Exemptions
EU ELV Compliance	Compliant with Exemptions

Product Compliance

[For compliance documentation, visit the product page on TE.com>](#)

EU RoHS Directive 2011/65/EU	Compliant with Exemptions
EU ELV Directive 2000/53/EC	Compliant with Exemptions
China RoHS 2 Directive MIIT Order No 32, 2016	Restricted Materials Above Threshold
EU REACH Regulation (EC) No. 1907/2006	Current ECHA Candidate List: JUNE 2024 (241) Candidate List Declared Against: JAN 2024 (240) SVHC > Threshold: Pb (3.7% in Component Part) Article Safe Usage Statements: Do not eat, drink or smoke when using this product. Wash thoroughly after handling. Recycle if possible and dispose of the article by following all applicable governmental regulations relevant to your geographic location.
Halogen Content	BFR/CFR/PVC Free, but Br/Cl >900 ppm in other sources.
Solder Process Capability	Not applicable for solder process capability

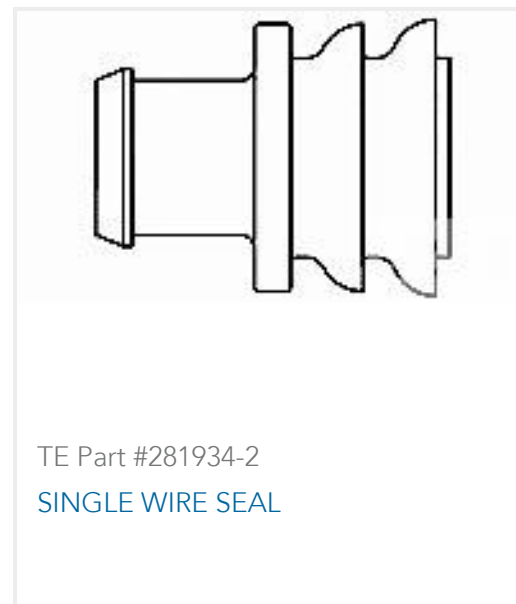
Product Compliance Disclaimer

This information is provided based on reasonable inquiry of our suppliers and represents our current actual knowledge based on the information they provided. This information is subject to change. The part numbers that TE has identified as EU RoHS compliant have a maximum concentration of 0.1% by weight in homogenous materials for lead, hexavalent chromium, mercury, PBB, PBDE, DBP, BBP, DEHP, DIBP, and 0.01% for cadmium, or qualify for an exemption to these limits as defined in the Annexes of Directive 2011/65/EU (RoHS2). Finished electrical and electronic equipment products will be CE marked as required by Directive 2011/65/EU. Components may not be CE marked. Additionally, the part numbers that TE has identified as EU ELV compliant have a maximum concentration of 0.1% by weight in homogenous materials for lead, hexavalent chromium, and mercury, and 0.01% for cadmium, or qualify for an exemption to these limits as defined in the Annexes of Directive 2000/53/EC (ELV). Regarding the REACH Regulation, the information TE provides on SVHC in articles for this part number is based on the latest European Chemicals Agency (ECHA) 'Guidance on requirements for substances in articles' posted at this URL: <https://echa.europa.eu/guidance-documents/guidance-on-reach>

Compatible Parts



Customers Also Bought



Documents

Product Drawings

GUIDE SOCKET SET

Japanese

CAD Files

Customer View Model

[ENG_CVM_CVM_171083-1_B.3d_stp.zip](#)

English

Customer View Model

[ENG_CVM_CVM_171083-1_B.2d_dxf.zip](#)

English

Customer View Model

[ENG_CVM_CVM_171083-1_B.3d_igs.zip](#)

English

3D PDF

3D

By downloading the CAD file I accept and agree to the [Terms and Conditions](#) of use.



Instruction Sheets

Instruction Sheet (U.S.)

English