

170892-1 ✓ ACTIVE

FASTON | FASTON 187

TE Internal #: 170892-1

Receptacle, Receptacle, 1 Position, Straight, UL 94V-2, Natural, Soft PVC, -40 – 105 °C [-40 – 221 °F], FASTON 187, Crimp Terminal Housings

[View on TE.com >](#)



Terminals & Splices > Terminal Housings, Insulation Sleeves & Blocks > Crimp Terminal Housings



Terminal Type: **Receptacle**

Connector & Housing Type: **Receptacle**

Number of Positions: **1**

Terminal Orientation: **Straight**

UL Flammability Rating: **UL 94V-2**

Features

Dimensions

Product Length	23 mm[.906 in]
----------------	----------------

Product Type Features

Sealable	No
Connector & Housing Type	Receptacle

Configuration Features

Number of Positions	1
---------------------	---

Body Features

Primary Product Color	Natural
-----------------------	---------

Contact Features

Terminal Type	Receptacle
Terminal Orientation	Straight
Contact Mating Retention	Without

Mechanical Attachment



Mating Alignment	Without
------------------	---------

Housing Features

Housing Material	Soft PVC
------------------	----------

Usage Conditions

Operating Temperature Range	-40 – 105 °C[-40 – 221 °F]
-----------------------------	----------------------------

Industry Standards

UL Flammability Rating	UL 94V-2
------------------------	----------

Other

EU RoHS Compliance	Compliant
--------------------	-----------

EU ELV Compliance	Compliant
-------------------	-----------

Product Compliance

[For compliance documentation, visit the product page on TE.com>](#)

EU RoHS Directive 2011/65/EU	Compliant
------------------------------	-----------

EU ELV Directive 2000/53/EC	Compliant
-----------------------------	-----------

China RoHS 2 Directive MIIT Order No 32, 2016	No Restricted Materials Above Threshold
---	---

EU REACH Regulation (EC) No. 1907/2006	Current ECHA Candidate List: JUNE 2024 (241) Candidate List Declared Against: JUNE 2024 (241) SVHC > Threshold: Diocetyl tin dilaurate derivs (.4% in Component Part)
--	--

Halogen Content	Not Low Halogen - contains Br or Cl > 900 ppm.
-----------------	--

Solder Process Capability	Not applicable for solder process capability
---------------------------	--

Product Compliance Disclaimer

This information is provided based on reasonable inquiry of our suppliers and represents our current actual knowledge based on the information they provided. This information is subject to change. The part numbers that TE has identified as EU RoHS compliant have a maximum concentration of 0.1% by weight in homogenous materials for lead, hexavalent chromium, mercury, PBB, PBDE, DBP, BBP, DEHP, DIBP, and 0.01% for cadmium, or qualify for an exemption to these limits as defined in the Annexes of Directive 2011/65/EU (RoHS2). Finished electrical and electronic equipment products will be CE marked as required by Directive 2011/65/EU. Components may not be CE marked. Additionally, the part numbers that TE has identified as EU ELV compliant have a maximum concentration of 0.1% by weight in homogenous materials for lead, hexavalent chromium, and mercury, and 0.01% for cadmium, or qualify for an exemption to these limits as defined in the Annexes of Directive 2000/53/EC (ELV). Regarding the REACH Regulation, the information TE provides on SVHC in articles for this part number is based on the latest European Chemicals Agency (ECHA) 'Guidance on requirements for substances in articles' posted at this URL: <https://echa.europa.eu/guidance-documents/guidance-on-reach>

Compatible Parts



TE Part # 170892-4
 187 FASTON HSG.,REC.,NATURAL



TE Part # 1-170823-8
 250 FASTON SLEEVE,REC.,
 TRANSPARENT



TE Part # 1-170823-9
 250 FASTON SLEEVE,REC.,
 TRANSPARENT,NAT



TE Part # 1-170823-6
 250 FASTON SLEEVE,REC.,
 TRANSPARENT



TE Part # 1-170823-5
 250 FASTON SLEEVE,REC.,
 TRANSPARENT



TE Part # 170823-1
 110 FASTON SLEEVE,TAB,
 TRANSPARENT,NAT



TE Part # 1-170823-3
 187 FASTON SLEEVE,REC.,
 TRANSPARENT,NAT



TE Part # 1-170823-4
 187 FASTON SLEEVE,REC.,
 TRANSPARENT,NAT

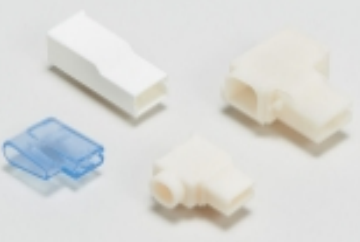


TE Part # 1-170823-1
 110 FASTON SLEEVE,REC.,
 TRANSPARENT,NAT




TE Part # 170892-2
 187 FASTON HSG.,REC.,NATURAL

Also in the Series | FASTON 187




Crimp Terminal Housings(40)




Insertion & Extraction Tools(1)




Insulation Boots & Sleeves(1)



Joints & Splices(1)



PCB Terminals(42)



Quick Disconnects(207)



Splices(1)

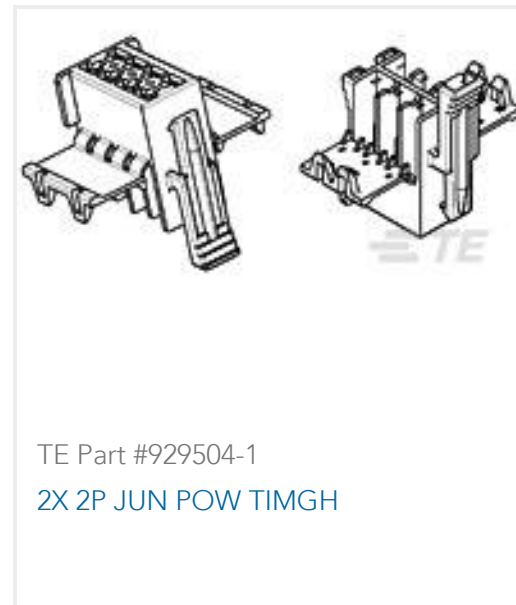
Customers Also Bought



TE Part #350782-1
09P UMNL CAP HSG



TE Part #928794-2
FF 110 TAB PTP CUZN30



TE Part #929504-1
2X 2P JUN POW TIMGH



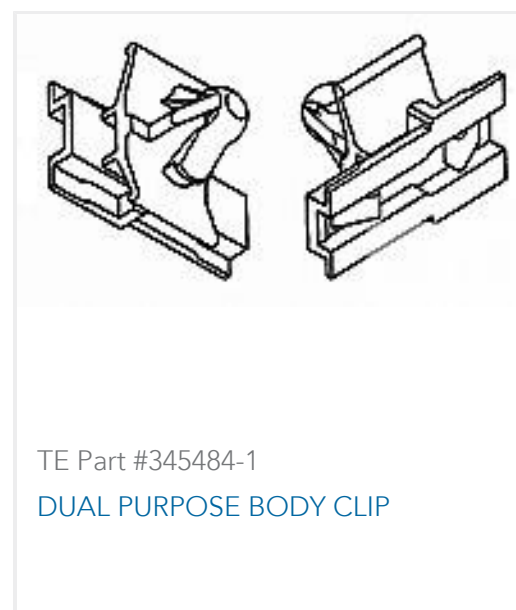
TE Part #CAT-T4827-T273
TIMER, RECEPTACLE AND TAB



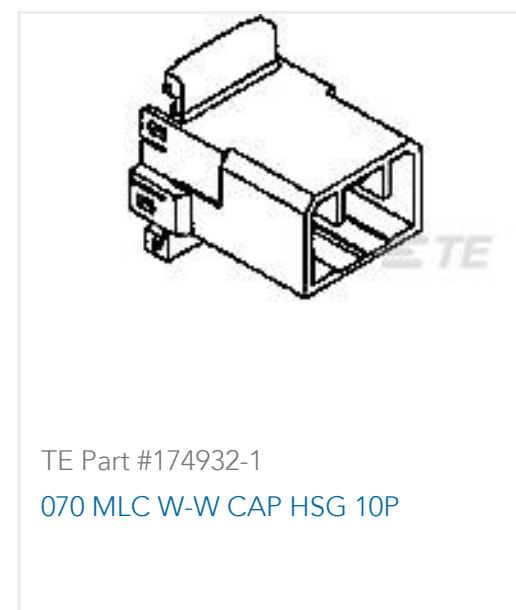
TE Part #350781-1
06P UMNL CAP HSG



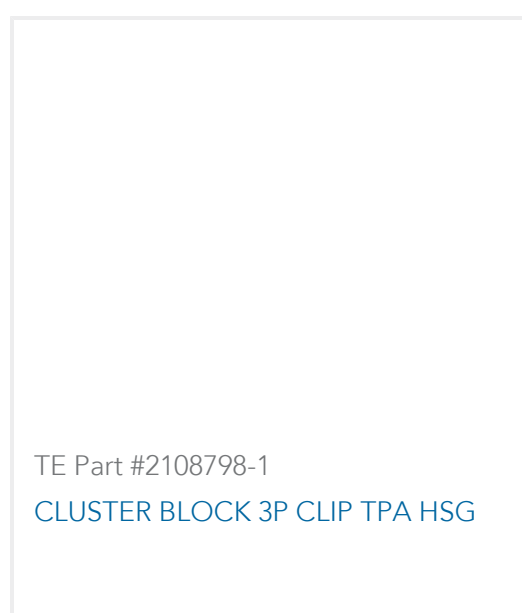
TE Part #4-1393789-5
V23079D2003B301



TE Part #345484-1
DUAL PURPOSE BODY CLIP



TE Part #174932-1
070 MLC W-W CAP HSG 10P



TE Part #2108798-1
CLUSTER BLOCK 3P CLIP TPA HSG

Documents

Product Drawings

187 FASTON HSG.,REC.,NATURAL

English

CAD Files

3D PDF

3D

Customer View Model

[ENG_CVM_CVM_170892-1_A_c-170892-1-a.2d_dxf.zip](#)

English

Customer View Model

[ENG_CVM_CVM_170892-1_A_c-170892-1-a.3d_igs.zip](#)

English

Customer View Model

[ENG_CVM_CVM_170892-1_A_c-170892-1-a.3d_stp.zip](#)

English

By downloading the CAD file I accept and agree to the [Terms and Conditions](#) of use.

170892-1

Receptacle, Receptacle, 1 Position, Straight, UL 94V-2, Natural, Soft PVC, -40 – 105 °C
[-40 – 221 °F], FASTON 187, Crimp Terminal Housings

