

170338-1 ✓ ACTIVE

AMP-IN

TE Internal #: 170338-1

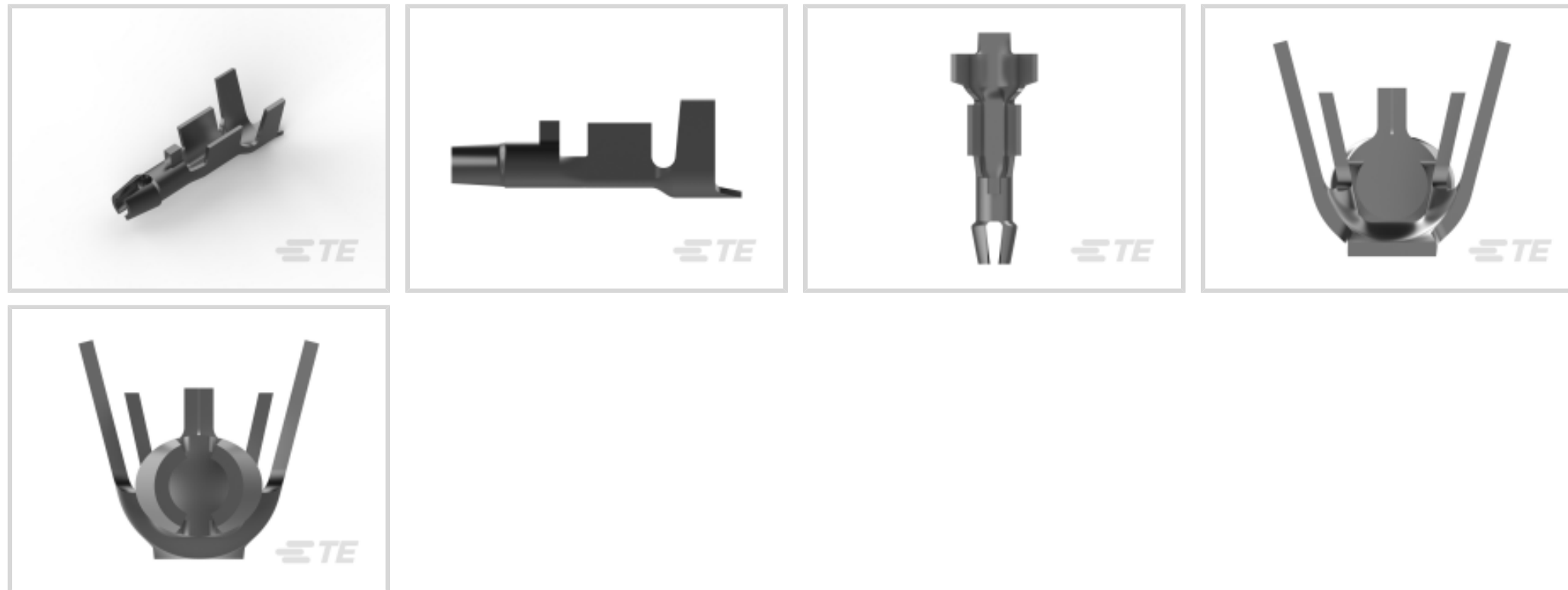
PCB Pin, 1.83 mm [.072 in] PCB Hole, 22 – 18 AWG, .3 – .9 mm²

Wire, Through Hole - Solder, Pre-Tin Plating, Reel, PCB Terminals

[View on TE.com >](#)



Terminals & Splices > PCB Terminals



PCB Terminal Type: PCB Pin

PCB Thickness (Recommended): 1.6 mm [.063 in]

PCB Hole Diameter: 1.83 mm [.072 in]

Profile Height from PCB: 6.62 mm [.264 in]

Compatible Insulation Diameter (Max): 2.79 mm [.11 in]

Features

Product Type Features

Terminal Features	Stud Hole
-------------------	-----------

Usage Conditions

Insulation Option	Uninsulated
Operating Temperature Range	-30 – 105 °C[-22 – 221 °F]

Packaging Features

Packaging Quantity	7000
Packaging Method	Reel

Dimensions

Extension Below Board	3.48 mm[.137 in]
Terminal Material Thickness	.25 mm[.01 in]
PCB Thickness (Recommended)	1.6 mm[.063 in]
PCB Hole Diameter	1.83 mm[.072 in]
Profile Height from PCB	6.62 mm[.264 in]
Compatible Insulation Diameter (Max)	2.79 mm[.11 in]



Compatible Insulation Diameter Range	1.52 – 2.79 mm [.06 – .11 in]
Wire Size	.3 – .9 mm ²

Contact Features

Contact Underplating Material Thickness	.5 μm [19.68 μin]
Contact Mating Area Plating Material Thickness	.8 μm [31.5 μin]
PCB Terminal Type	PCB Pin
Terminal Plating Material	Pre-Tin
Contact Underplating Material	Copper
Terminal Size	Standard
Terminal Orientation	Straight

Termination Features

Termination Method to PCB	Through Hole - Solder
Product Terminates To	Printed Circuit Board

Mechanical Attachment

Wire Insulation Support	With
-------------------------	------

Other

EU RoHS Compliance	Compliant
EU ELV Compliance	Compliant

Product Compliance

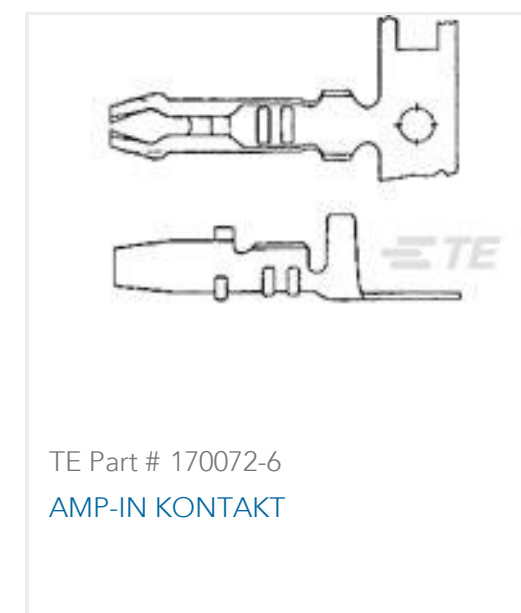
[For compliance documentation, visit the product page on TE.com>](#)

EU RoHS Directive 2011/65/EU	Compliant
EU ELV Directive 2000/53/EC	Compliant
China RoHS 2 Directive MIIT Order No 32, 2016	No Restricted Materials Above Threshold
EU REACH Regulation (EC) No. 1907/2006	Current ECHA Candidate List: JUNE 2024 (241) Candidate List Declared Against: JUNE 2024 (241) Does not contain REACH SVHC
Halogen Content	Low Halogen - Br, Cl, F, I < 900 ppm per homogenous material. Also BFR/CFR/PVC Free
Solder Process Capability	Wave solder capable to 240°C

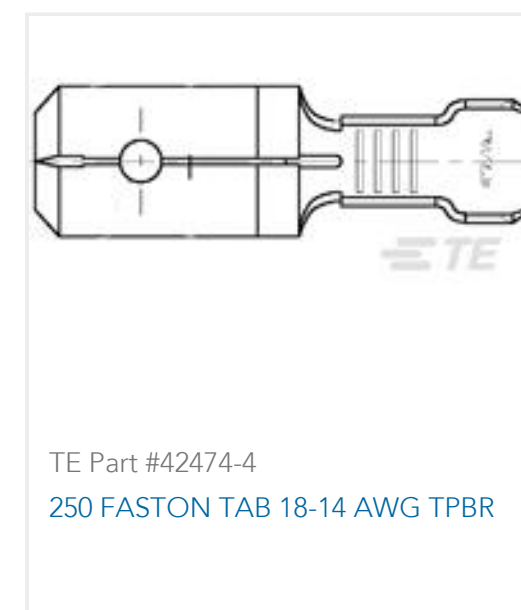
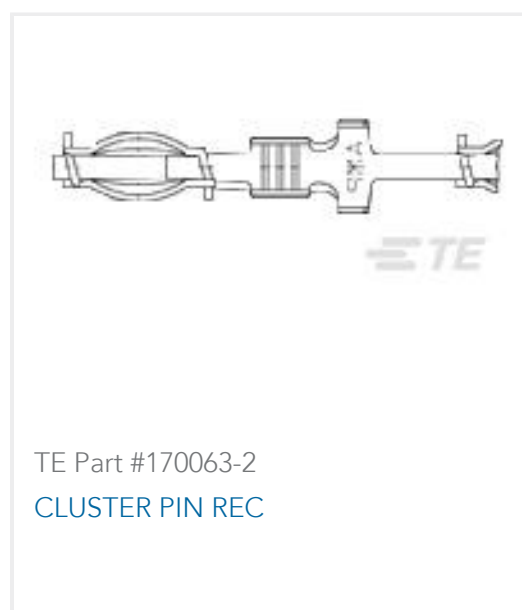
Product Compliance Disclaimer

This information is provided based on reasonable inquiry of our suppliers and represents our current actual knowledge based on the information they provided. This information is subject to change. The part numbers that TE has identified as EU RoHS compliant have a maximum concentration of 0.1% by weight in homogenous materials for lead, hexavalent chromium, mercury, PBB, PBDE, DBP, BBP, DEHP, DIBP, and 0.01% for cadmium, or qualify for an exemption to these limits as defined in the Annexes of Directive 2011/65/EU (RoHS2). Finished electrical and electronic equipment products will be CE marked as required by Directive 2011/65/EU. Components may not be CE marked. Additionally, the part numbers that TE has identified as EU ELV compliant have a maximum concentration of 0.1% by weight in homogenous materials for lead, hexavalent chromium, and mercury, and 0.01% for cadmium, or qualify for an exemption to these limits as defined in the Annexes of Directive 2000/53/EC (ELV). Regarding the REACH Regulation, the information TE provides on SVHC in articles for this part number is based on the latest European Chemicals Agency (ECHA) 'Guidance on requirements for substances in articles' posted at this URL: <https://echa.europa.eu/guidance-documents/guidance-on-reach>

Compatible Parts

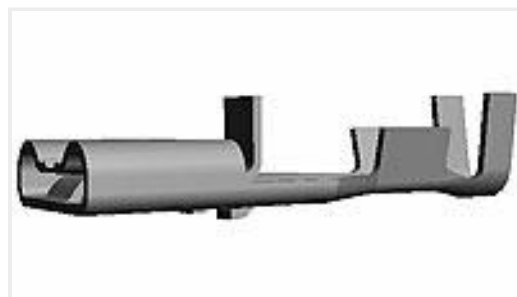


Customers Also Bought





TE Part #179464-1
POWER DBL LOCK CAP HSG F/H 3P



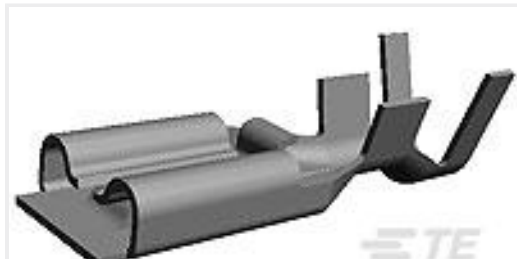
TE Part #170328-1
250 PL MKII REC. 18-14AWG PTBR



TE Part #917764-1
2.5 SIGNAL D/LOCK TAB CONT. L



TE Part #CAT-G7534-R2435
GRACE INERTIA Receptacle



TE Part #175032-1
PL 187 REC 26-20 AWG 0.30 X 14.0 SS

Documents

Product Drawings

AMP-IN 22-18 AWG

English

CAD Files

3D PDF

3D

Customer View Model

[ENG_CVM_CVM_170338-1_D_c-170338-1-d.2d_dxf.zip](#)

English

Customer View Model

[ENG_CVM_CVM_170338-1_D_c-170338-1-d.3d_igs.zip](#)

English

Customer View Model

[ENG_CVM_CVM_170338-1_D_c-170338-1-d.3d_stp.zip](#)

English

By downloading the CAD file I accept and agree to the [Terms and Conditions](#) of use.

Product Specifications

Application Specification

English

Crimping AMP-IN Terminals

English