

170258-1 ✓ ACTIVE

FASTIN-FASTON | FASTIN-FASTON 250

TE Internal #: 170258-1

Quick Disconnect Receptacle, 14 – 12 AWG, 2.1 – 3.31 mm<sup>2</sup> Wire,  
6.35 mm [.25 in] Tab Width, Straight, Brass, Unplated Plating,  
FASTIN-FASTON 250

[View on TE.com >](#)



Terminals & Splices > Quick Disconnects



Quick Disconnect Terminal Type: **Receptacle**

Wire Size: **2.1 – 3.31 mm<sup>2</sup>**

Mating Tab Width: **6.35 mm [.25 in]**

Terminal Orientation: **Straight**

## Features

### Termination Features

Product Terminates To	Wire & Cable
-----------------------	--------------

### Configuration Features

Compatible With Wire & Cable Type	Discrete Wire
-----------------------------------	---------------

Connection Capacity	Single
---------------------	--------

### Mechanical Attachment

Wire Insulation Support	With
-------------------------	------

Mating Retention Type	Locking Lance
-----------------------	---------------

### Packaging Features

Packaging Quantity	5000
--------------------	------

Packaging Method	Strip/Reel
------------------	------------

### Dimensions

Product Length	21.5 mm [.846 in]
----------------	-------------------

Compatible Insulation Diameter Range	2.9 – 3.8 mm [.114 – .15 in]
--------------------------------------	------------------------------

Terminal Material Thickness	.33 mm [.013 in]
-----------------------------	------------------



Wire Size	2.1 – 3.31 mm <sup>2</sup>
-----------	----------------------------

### Contact Features

Quick Disconnect Terminal Type	Receptacle
Mating Tab Width	6.35 mm [.25 in]
Terminal Orientation	Straight
Contact Base Material	Brass
Terminal Plating Material	Unplated
Crimp Type	F-Crimp
Barrel Type	Open

### Usage Conditions

Insulation Option	Uninsulated
Operating Temperature Range	-40 – 110 °C [-40 – 230 °F]

### Other

EU RoHS Compliance	Compliant
EU ELV Compliance	Compliant

### Product Compliance

[For compliance documentation, visit the product page on TE.com>](#)

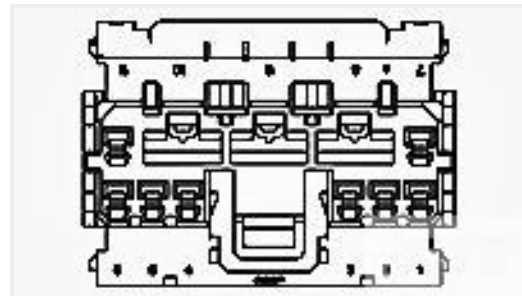
EU RoHS Directive 2011/65/EU	Compliant
EU ELV Directive 2000/53/EC	Compliant
China RoHS 2 Directive MIIT Order No 32, 2016	No Restricted Materials Above Threshold
EU REACH Regulation (EC) No. 1907/2006	Current ECHA Candidate List: JUNE 2024 (241) Candidate List Declared Against: JUNE 2024 (241) Does not contain REACH SVHC
Halogen Content	Low Halogen - Br, Cl, F, I < 900 ppm per homogenous material. Also BFR/CFR/PVC Free
Solder Process Capability	Not applicable for solder process capability

#### Product Compliance Disclaimer

This information is provided based on reasonable inquiry of our suppliers and represents our current actual knowledge based on the information they provided. This information is subject to change. The part numbers that TE has identified as EU RoHS compliant have a maximum concentration of 0.1% by weight in homogenous materials for lead, hexavalent chromium, mercury, PBB, PBDE, DBP, BBP, DEHP, DIBP, and 0.01% for cadmium, or qualify for an exemption to these limits as defined in the Annexes of Directive 2011/65/EU (RoHS2). Finished electrical and electronic equipment products will be CE marked as required by Directive 2011/65/EU. Components may not be CE marked. Additionally, the part

numbers that TE has identified as EU ELV compliant have a maximum concentration of 0.1% by weight in homogenous materials for lead, hexavalent chromium, and mercury, and 0.01% for cadmium, or qualify for an exemption to these limits as defined in the Annexes of Directive 2000/53/EC (ELV). Regarding the REACH Regulation, the information TE provides on SVHC in articles for this part number is based on the latest European Chemicals Agency (ECHA) 'Guidance on requirements for substances in articles' posted at this URL: <https://echa.europa.eu/guidance-documents/guidance-on-reach>

## Compatible Parts



TE Part # 174925-5  
 070 MLC W-W PLUG HSG 11P BLUE



TE Part # 176774-5  
 FF 250 PLUG HSG 3P NYLON NAT



TE Part # 180904  
 FF 250 REC HSG 6P NYLON NAT



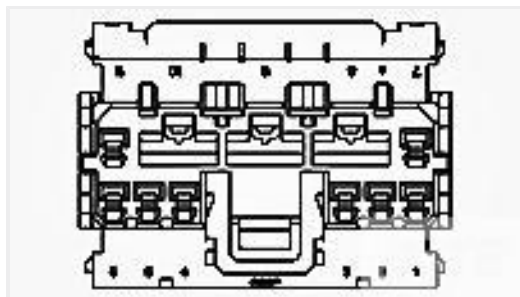
TE Part # 880297-1  
 6 WAY FF 250 HOUSING REC PA 6.6 NATURAL



TE Part # 180907-5  
 FF 250 REC HSG 2P NYLON BLACK



TE Part # 1-85113-2  
 070/250 HYB 15P PLUG(BLK) W/BL



TE Part # 174925-4  
 070 MLC W-W PLUG HSG 11P GREEN



TE Part # 163120  
 FF 250 REC HSG 4P NYLON NAT



TE Part # 172222-1  
 FF 250 PLUG HSG 4P NYLON NAT



TE Part # 154746-2  
 FF 250 REC HSG 5P NYLON BLACK



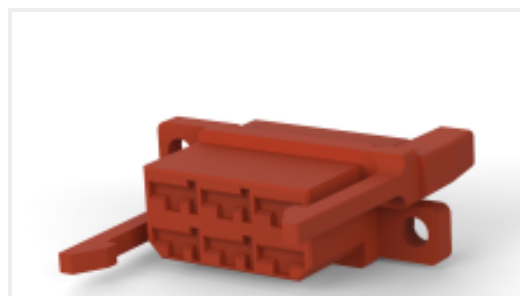
TE Part # 171898-2  
 FF 250 PLUG HSG 6P NYLON BLACK



TE Part # 172217-1  
 FF 250 REC HSG 2P NYLON NAT



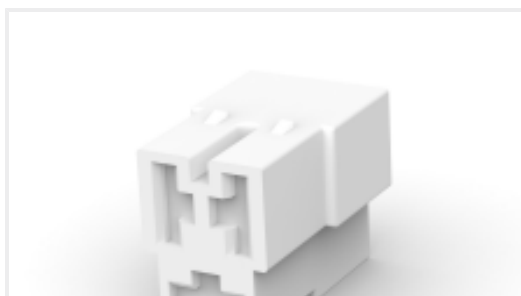
TE Part # 172134-7  
 FF 250 PLUG HSG 4P NYLON YELLOW



TE Part # 171183-8  
 FF 250 REC HSG 6P NYLON BROWN



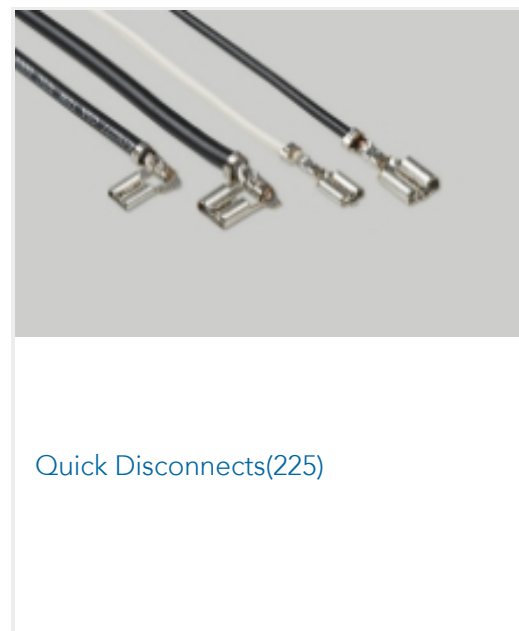
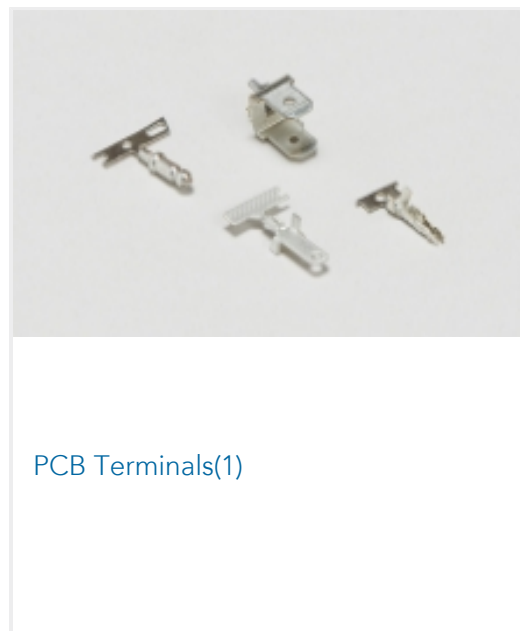
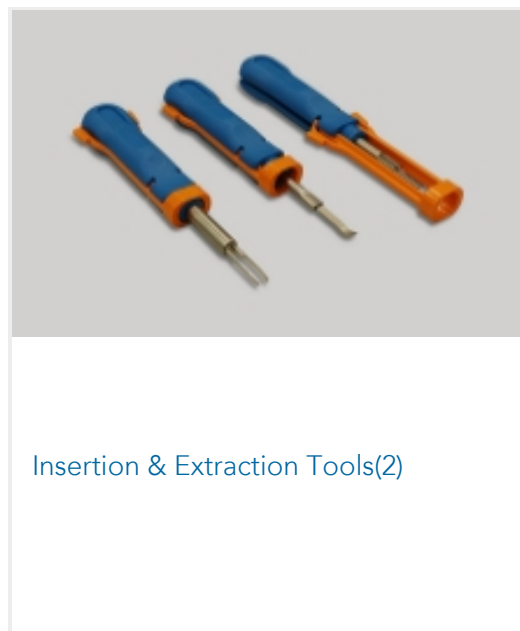
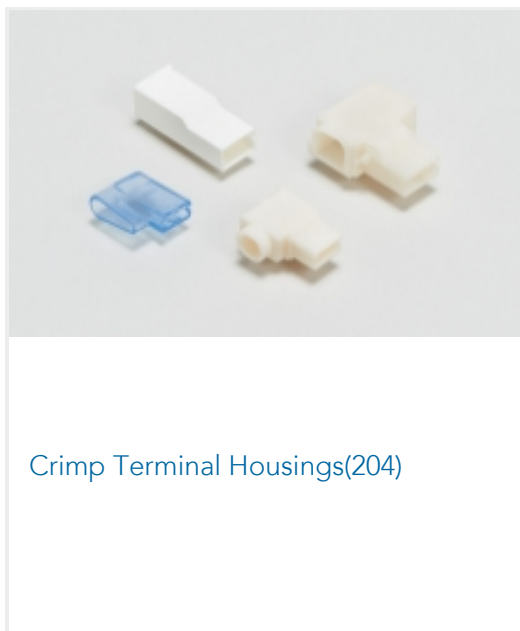
TE Part # 172130-6  
 FF 250 REC HSG 2P NYLON GRAY



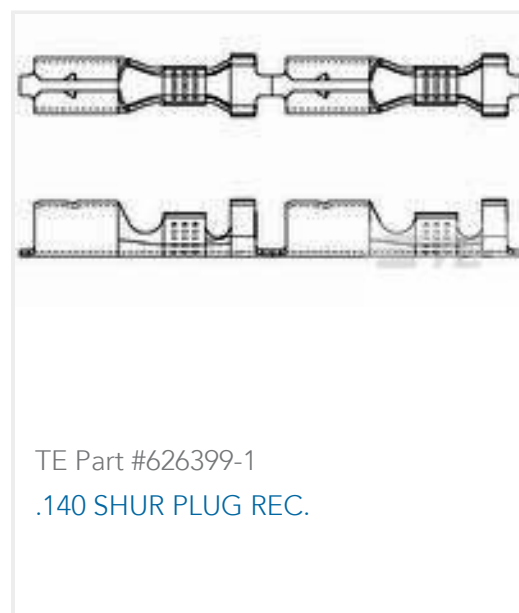
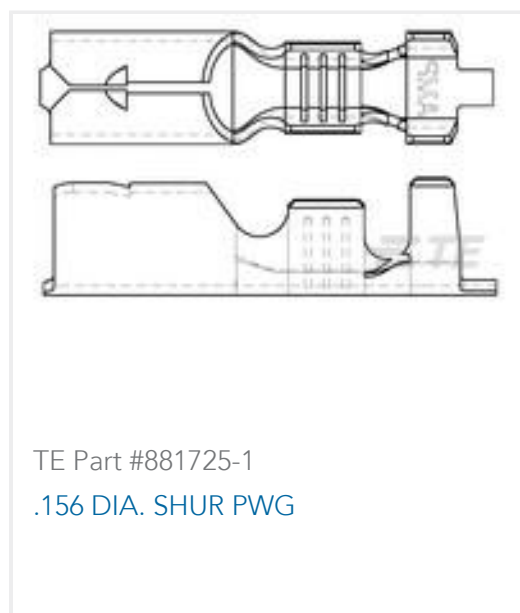
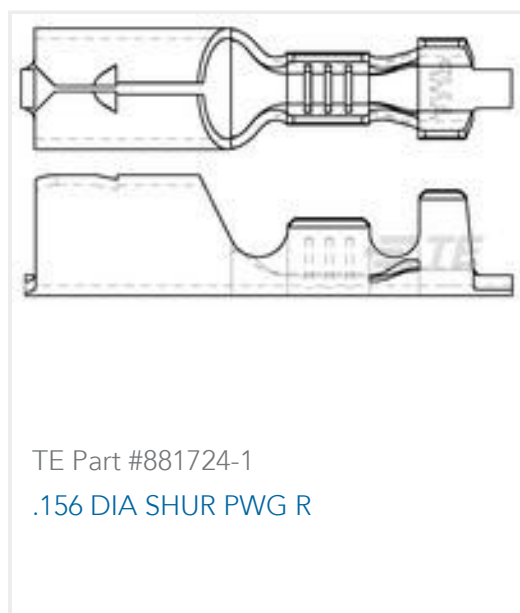
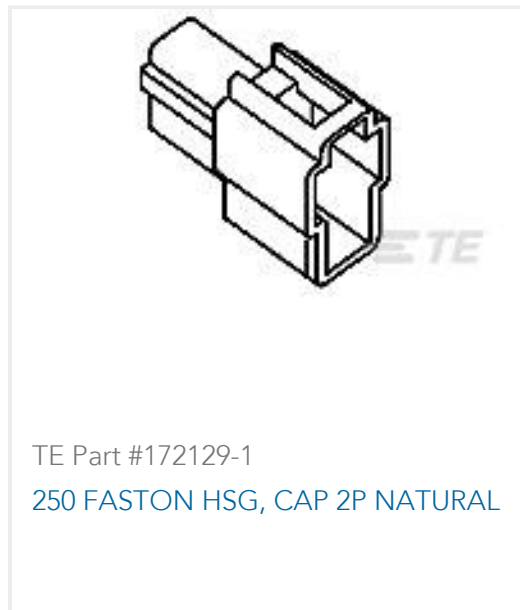
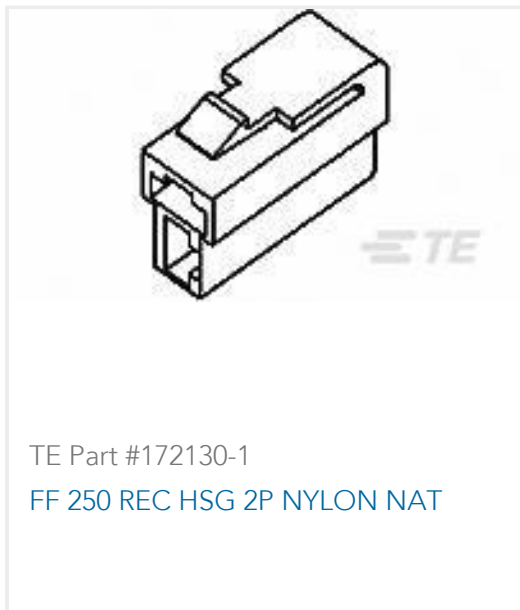
TE Part # 180941  
 FF 250 REC HSG 3P NYLON NAT



Also in the Series | **FASTIN-FASTON 250**



Customers Also Bought





## Documents

### Product Drawings

#### FF 250 REC 14-12AWG BR REREELING

English

### CAD Files

#### 3D PDF

3D

#### Customer View Model

[ENG\\_CVM\\_CVM\\_170258-1\\_S.2d\\_dxf.zip](#)

English

#### Customer View Model

[ENG\\_CVM\\_CVM\\_170258-1\\_S.3d\\_igs.zip](#)

English

#### Customer View Model

[ENG\\_CVM\\_CVM\\_170258-1\\_S.3d\\_stp.zip](#)

English

By downloading the CAD file I accept and agree to the [Terms and Conditions](#) of use.

### Product Specifications

#### Crimping of Positive Lock Receptacle Contact

English

#### Application Specification

English

#### Crimping of 250 Series Tab and Receptacle Contacts

Japanese

#### Application Specification

Japanese

#### Application Specification

Japanese

#### Crimping of 250 Series Tab and Receptacle Contacts

Japanese

### Instruction Sheets

#### Customer Manual (non U.S.)

Japanese

#### "250" Series, Housing Lance Connector

Japanese

### Agency Approvals

#### UL Report

English