



MATE-N-LOK | Commercial MATE-N-LOK

TE Internal #: 170147-2

Socket Contact, Tin, 250 VAC, 250 VDC, Locking Lance Contact Retention, 24 – 18 AWG, .2 – .82 mm² Wire, Crimp, Phosphor Bronze, Commercial MATE-N-LOK

[View on TE.com >](#)

Connectors > Contacts > Connector Contacts



Contact Type: **Socket**

Contact Mating Area Plating Material: **Tin**

Wire Contact Termination Area Plating Material: **Pre-Tin**

Operating Voltage: **250 VDC**

Features

Product Type Features

Discrete Wire Type	Stranded
--------------------	----------

Packaging Features

Packaging Quantity	7000
Packaging Method	Reel

Dimensions

Compatible Insulation Diameter Range	2.54 mm[.1 in]
Wire Size	.2 – .82 mm ²

Mechanical Attachment

Wire Insulation Support	Without
Contact Retention Type Within Housing	Locking Lance

Contact Features

Contact Orientation	Straight
Mating Pin Diameter	2.1 mm[.082 in]
Wire Contact Termination Area Plating Thickness	.4 μm[15.74 μin]



Contact Type	Socket
Contact Mating Area Plating Material	Tin
Wire Contact Termination Area Plating Material	Pre-Tin
Contact Retention Within Housing	With
Contact Base Material	Phosphor Bronze
Contact Current Rating (Max)	13 A

Electrical Characteristics

Operating Voltage	250 VDC
-------------------	---------

Termination Features

Termination Method to Wire & Cable	Crimp
Product Terminates To	Wire & Cable

Usage Conditions

Operating Temperature Range	-55 – 105 °C[-67 – 221 °F]
-----------------------------	----------------------------

Operation/Application

Circuit Application	Power
---------------------	-------

Other

EU RoHS Compliance	Compliant
EU ELV Compliance	Compliant

Product Compliance

[For compliance documentation, visit the product page on TE.com>](#)

EU RoHS Directive 2011/65/EU	Compliant
EU ELV Directive 2000/53/EC	Compliant
China RoHS 2 Directive MIIT Order No 32, 2016	No Restricted Materials Above Threshold
EU REACH Regulation (EC) No. 1907/2006	Current ECHA Candidate List: JUNE 2024 (241) Candidate List Declared Against: JUNE 2024 (241) Does not contain REACH SVHC
Halogen Content	Low Halogen - Br, Cl, F, I < 900 ppm per homogenous material. Also BFR/CFR/PVC Free
Solder Process Capability	Not applicable for solder process capability

Product Compliance Disclaimer

This information is provided based on reasonable inquiry of our suppliers and represents our current actual knowledge based on the information they provided. This information is subject to change. The part numbers that TE has identified as EU RoHS compliant have a maximum concentration of 0.1% by weight in homogenous materials for lead, hexavalent chromium, mercury, PBB, PBDE, DBP, BBP, DEHP, DIBP, and 0.01% for cadmium, or qualify for an exemption to these limits as defined in the Annexes of Directive 2011/65/EU (RoHS2). Finished electrical and electronic equipment products will be CE marked as required by Directive 2011/65/EU. Components may not be CE marked. Additionally, the part numbers that TE has identified as EU ELV compliant have a maximum concentration of 0.1% by weight in homogenous materials for lead, hexavalent chromium, and mercury, and 0.01% for cadmium, or qualify for an exemption to these limits as defined in the Annexes of Directive 2000/53/EC (ELV). Regarding the REACH Regulation, the information TE provides on SVHC in articles for this part number is based on the latest European Chemicals Agency (ECHA) 'Guidance on requirements for substances in articles' posted at this URL: <https://echa.europa.eu/guidance-documents/guidance-on-reach>

Compatible Parts



TE Part # 2266342-2
OCEAN_2.0_Applicator-S-070F100V-RSA



TE Part # 1-480318-9
02P CMNL PLUG HSG F/H BLK



TE Part # 7-2266342-7
OCEAN_2.0_SPARE_PART_KIT-070F100V



TE Part # 2151019-2
OCEAN_2.0_Applicator-S-070F100F-RSA



TE Part # 2-151680-0
2 WAY MATE-N-LOK SOC HSG NATL.A



TE Part # 170923-1
CMNL PLG 2P FREE HNG



TE Part # 1-480305-0
03P CMNL CAP HSG F/H NATL



TE Part # 2305570-1
Strip Terminal Cutter-Side Feed-No Crimp



TE Part # 1-480303-0
03P CMNL PLUG HSG F/H NATL



TE Part # 1-480323-0
15P CMNL PLUG HSG P/M NATL



TE Part # 1-480350-0
01P CMNL CAP HSG F/H NATL



TE Part # 1-480401-0
01P CMNL CAP HSG F/H BLK



TE Part # 1-480277-0
09P CMNL CAP HSG P/M NATL



TE Part # 1-480284-0
08P CMNL CAP HSG M/M NATL



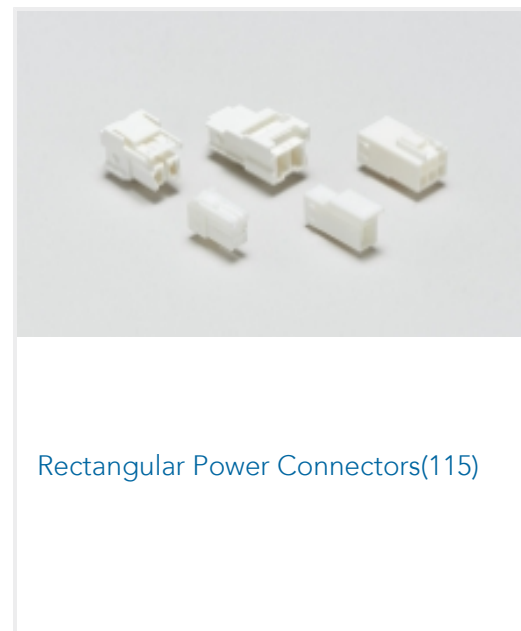
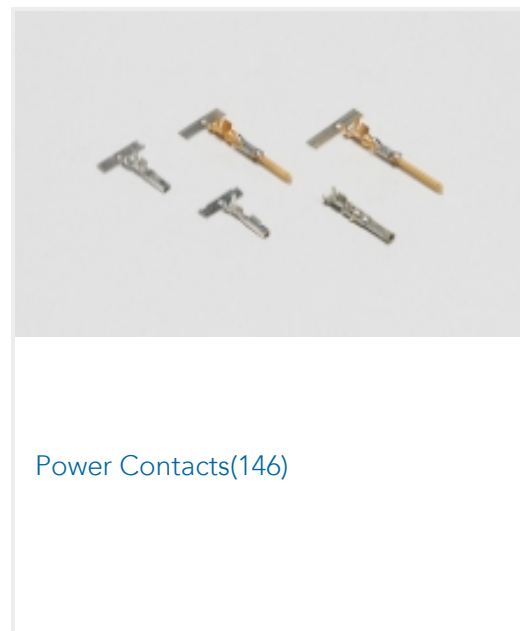
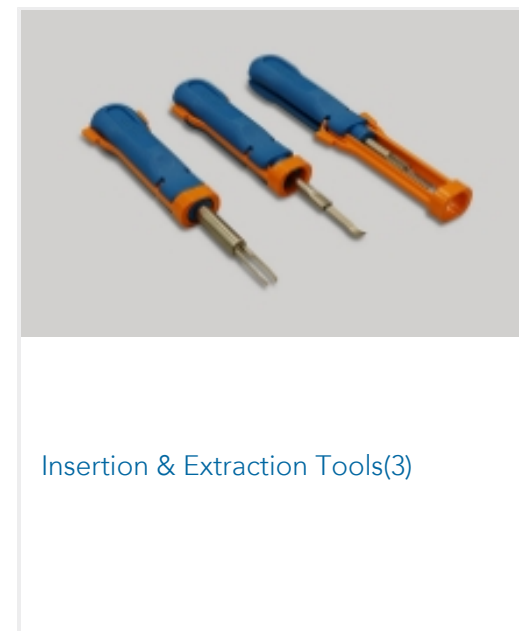
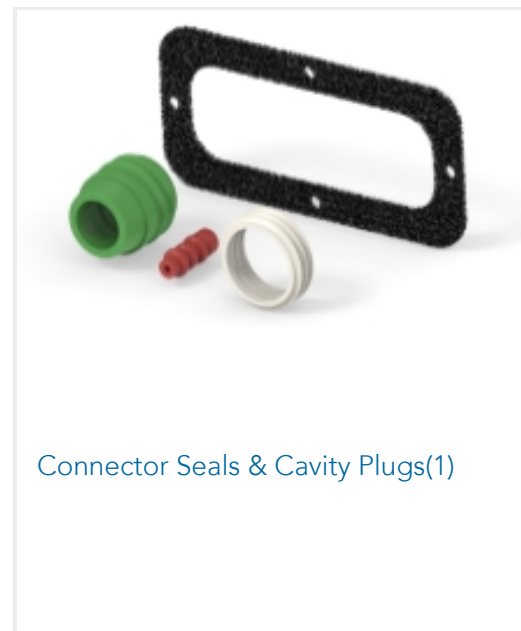
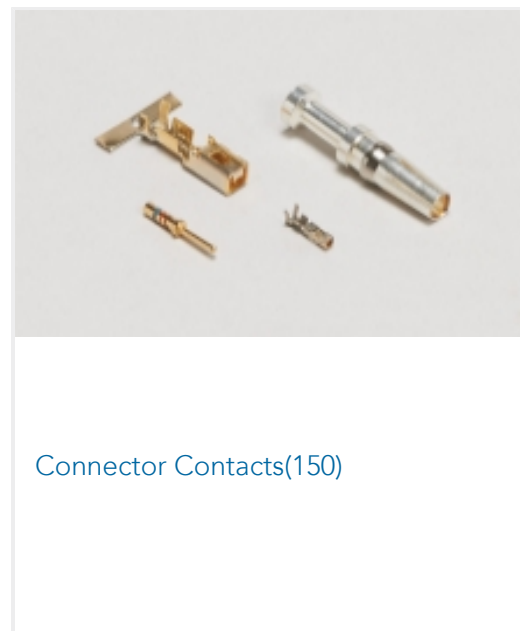
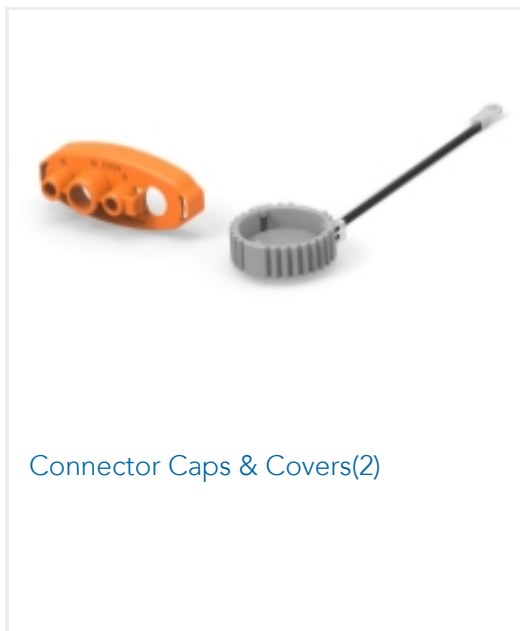
TE Part # 1-480270-0
06P CMNL PLUG HSG M/M NATL



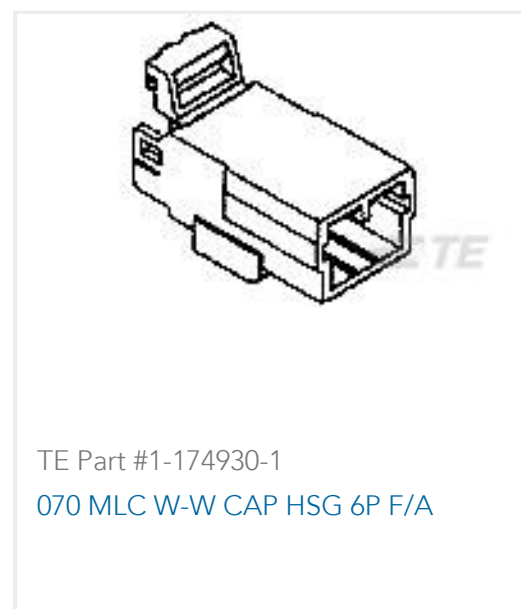
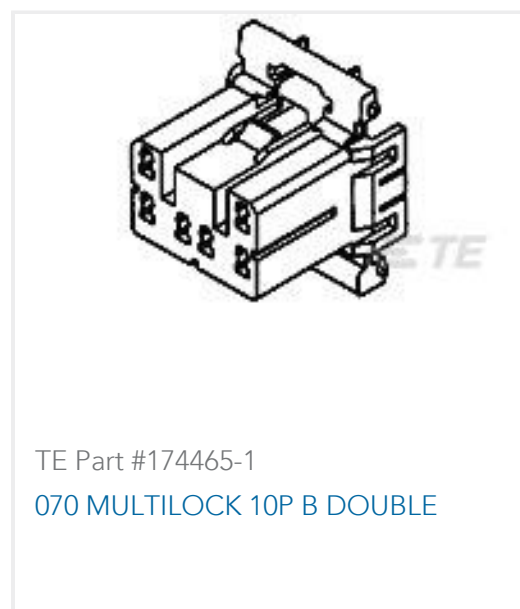
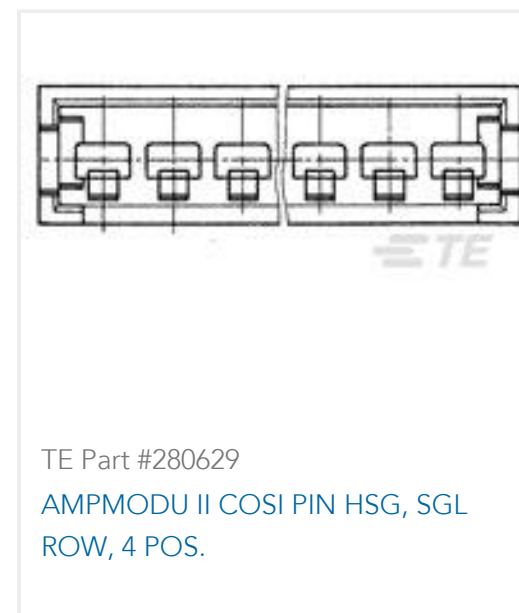
TE Part # 1-480424-9
04P CMNL PLUG HSG F/H BLK

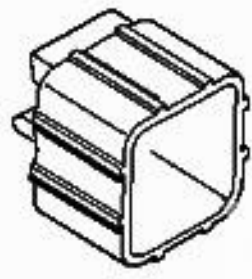


Also in the Series | Commercial MATE-N-LOK

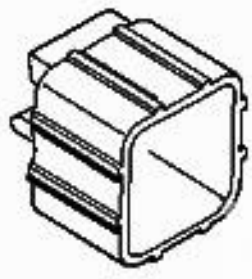


Customers Also Bought





TE Part #1-174664-1
[E-J MK-2 CAP HSG 12P NATURAL](#)



TE Part #1-174985-1
[E-J MK-2 CAP HSG 8P NATURAL](#)

Documents

Product Drawings

[MNL SOCKET PRE-TIN PH BR](#)

English

CAD Files

[3D PDF](#)

English

Customer View Model

[ENG_CVM_170147-2_A3.2d_dxf.zip](#)

English

Customer View Model

[ENG_CVM_170147-2_A3.3d_igs.zip](#)

English

Customer View Model

[ENG_CVM_170147-2_A3.3d_stp.zip](#)

English

By downloading the CAD file I accept and agree to the [Terms and Conditions](#) of use.

Product Specifications

[Application Specification](#)

English

Agency Approvals

[Agency Approval Document](#)

English