

170056-2 ✓ ACTIVE

FASTON | FASTON 110

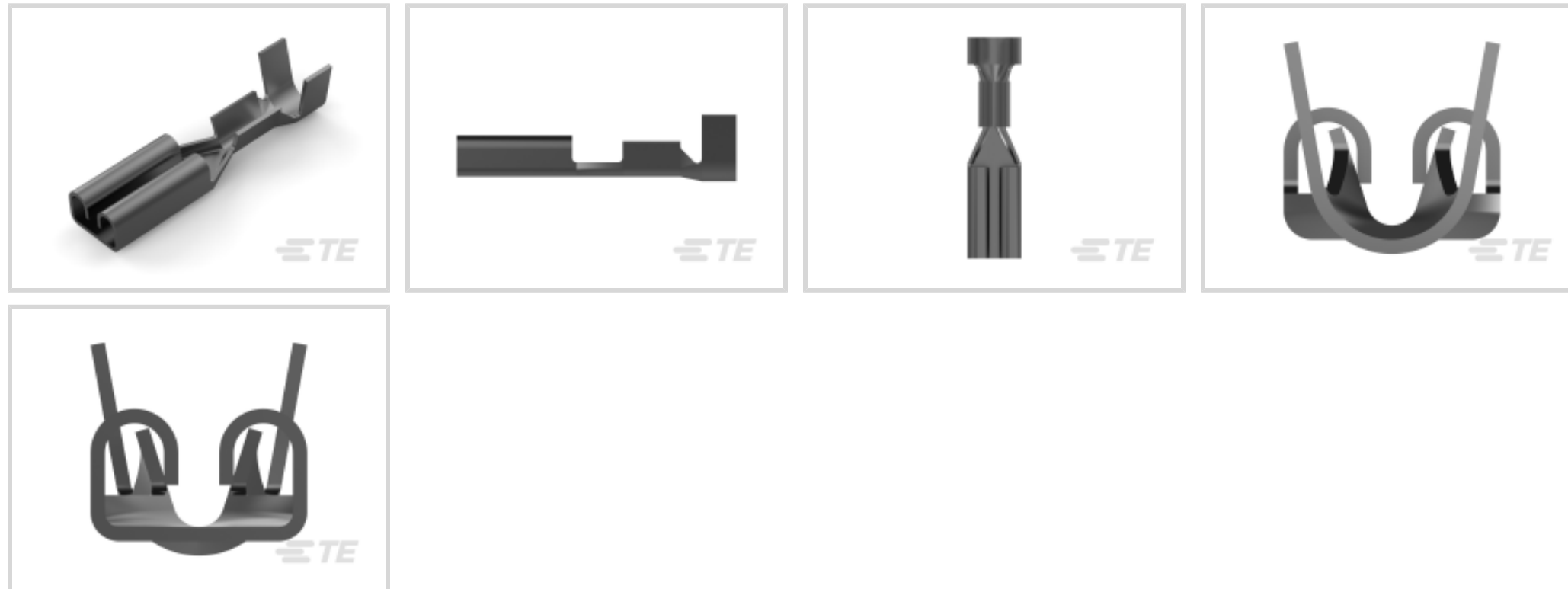
TE Internal #: 170056-2

Quick Disconnect Receptacle, 24 – 20 AWG, .2 – .51 mm<sup>2</sup> Wire, 2.8 mm [.11 in] Tab Width, Straight, Brass, Tin Plating, Strip/Reel, F-Crimp, FASTON 110

[View on TE.com >](#)



Terminals & Splices > Quick Disconnects



Quick Disconnect Terminal Type: **Receptacle**

Wire Size: .2 – .51 mm<sup>2</sup>

Mating Tab Width: 2.8 mm [.11 in]

Mating Tab Thickness: .7 mm [.027 in]

## Features

### Industry Standards

Compatible With Agency/Standards Products	UL, CSA
---	---------

### Termination Features

Product Terminates To	Wire & Cable
-----------------------	--------------

### Configuration Features

Compatible With Wire & Cable Type	Discrete Wire
-----------------------------------	---------------

Connection Capacity	Single
---------------------	--------

### Mechanical Attachment

Wire Insulation Support	With
-------------------------	------

Mating Retention Type	Dimple
-----------------------	--------

Extraction Force	.9 kgf
------------------	--------

### Packaging Features

Packaging Quantity	10000
--------------------	-------

Packaging Method	Strip/Reel
------------------	------------

### Dimensions



Product Length	15.4 mm[.606 in]
Compatible Insulation Diameter Range	2.03 – 3 mm[.08 – .118 in]
Terminal Material Thickness	.25 mm[.01 in]
Wire Size	.2 – .51 mm <sup>2</sup>

### Contact Features

Quick Disconnect Terminal Type	Receptacle
Mating Tab Width	2.8 mm[.11 in]
Mating Tab Thickness	.7 mm[.027 in]
Terminal Orientation	Straight
Contact Base Material	Brass
Terminal Plating Material	Tin
Crimp Type	F-Crimp
Barrel Type	Open

### Usage Conditions

Insulation Option	Uninsulated
Operating Temperature Range	-40 – 110 °C[-40 – 230 °F]

### Other

EU RoHS Compliance	Compliant
EU ELV Compliance	Compliant

### Product Compliance

[For compliance documentation, visit the product page on TE.com>](#)

EU RoHS Directive 2011/65/EU	Compliant
EU ELV Directive 2000/53/EC	Compliant
China RoHS 2 Directive MIIT Order No 32, 2016	No Restricted Materials Above Threshold
EU REACH Regulation (EC) No. 1907/2006	Current ECHA Candidate List: JUNE 2024 (241) Candidate List Declared Against: JUNE 2024 (241) Does not contain REACH SVHC
Halogen Content	Low Halogen - Br, Cl, F, I < 900 ppm per homogenous material. Also BFR/CFR/PVC Free
Solder Process Capability	Not applicable for solder process capability



Product Compliance Disclaimer

This information is provided based on reasonable inquiry of our suppliers and represents our current actual knowledge based on the information they provided. This information is subject to change. The part numbers that TE has identified as EU RoHS compliant have a maximum concentration of 0.1% by weight in homogenous materials for lead, hexavalent chromium, mercury, PBB, PBDE, DBP, BBP, DEHP, DIBP, and 0.01% for cadmium, or qualify for an exemption to these limits as defined in the Annexes of Directive 2011/65/EU (RoHS2). Finished electrical and electronic equipment products will be CE marked as required by Directive 2011/65/EU. Components may not be CE marked. Additionally, the part numbers that TE has identified as EU ELV compliant have a maximum concentration of 0.1% by weight in homogenous materials for lead, hexavalent chromium, and mercury, and 0.01% for cadmium, or qualify for an exemption to these limits as defined in the Annexes of Directive 2000/53/EC (ELV). Regarding the REACH Regulation, the information TE provides on SVHC in articles for this part number is based on the latest European Chemicals Agency (ECHA) 'Guidance on requirements for substances in articles' posted at this URL: <https://echa.europa.eu/guidance-documents/guidance-on-reach>

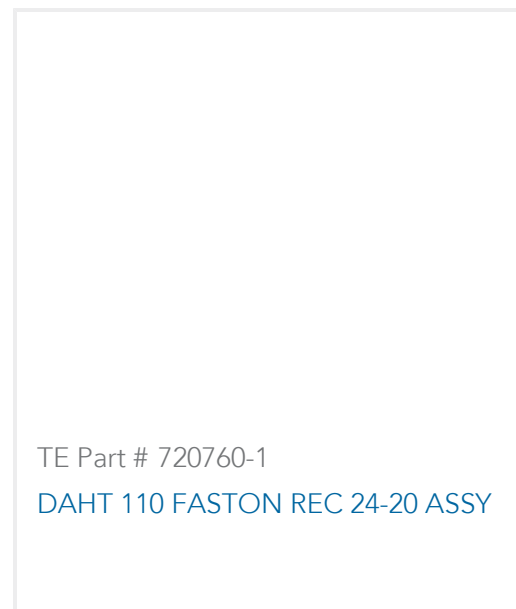
### Compatible Parts



TE Part # 2150024-2  
OCEAN\_2.0 APPLICATOR-E-062F110FA-REA



TE Part # 1494217-1  
110 FASTON,REC.,18-22 AWG,PB



TE Part # 720760-1  
DAHT 110 FASTON REC 24-20 ASSY

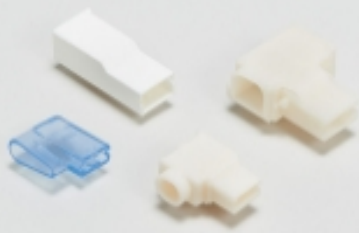


TE Part # 7-2150024-7  
OCEAN\_2.0 SPARE\_PART\_KIT-062F110F




TE Part # 2150024-1  
OCEAN\_2.0 APPLICATOR-E-062F110F-REM


### Also in the Series | FASTON 110




Crimp Terminal Housings(13)



Insertion & Extraction Tools(1)



PCB Terminals(22)



Quick Disconnects(168)

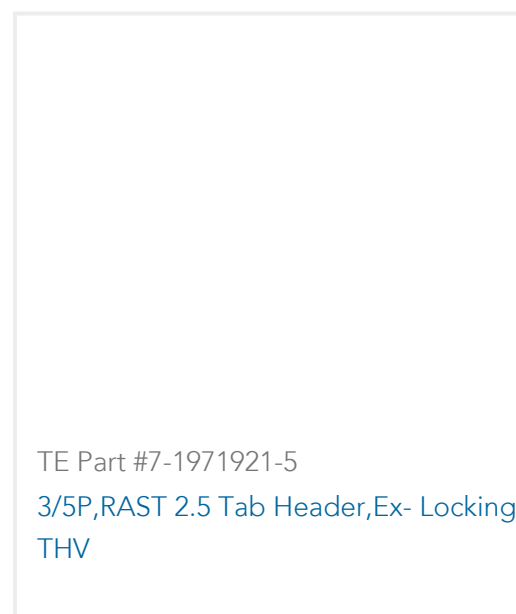
### Customers Also Bought



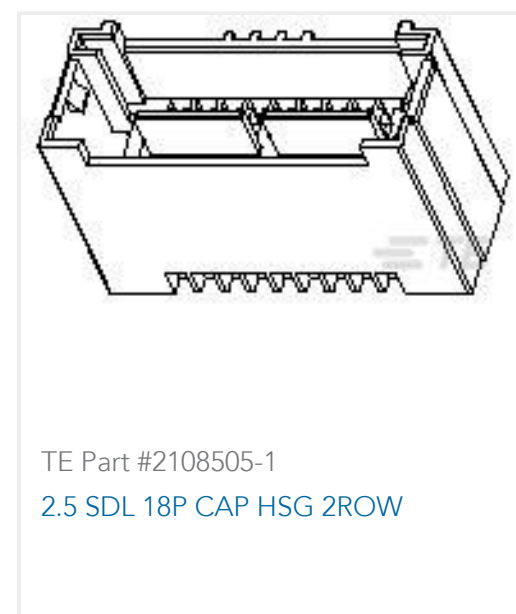
TE Part #177901-4  
POWER DBL LOCK PLUG 6P



TE Part #521212-2  
ULTRA-POD 187 ASSY REC 18-14  
AWG TPBR



TE Part #7-1971921-5  
3/5P,RAST 2.5 Tab Header,Ex- Locking,  
THV



TE Part #2108505-1  
2.5 SDL 18P CAP HSG 2ROW



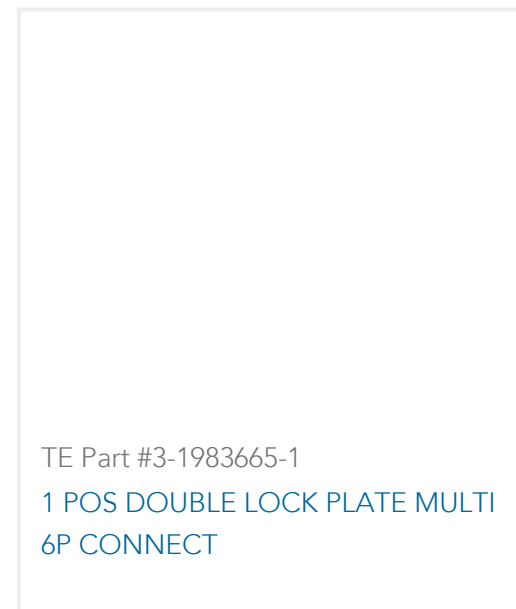
TE Part #1897005-1  
HALL SENSOR 4P HDR ASSY



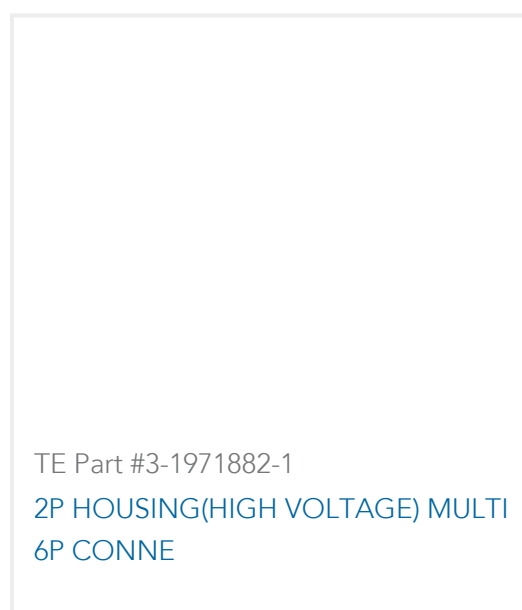
TE Part #2-1565088-3  
GRACE INERTIA CONNECTOR 3.5 6P



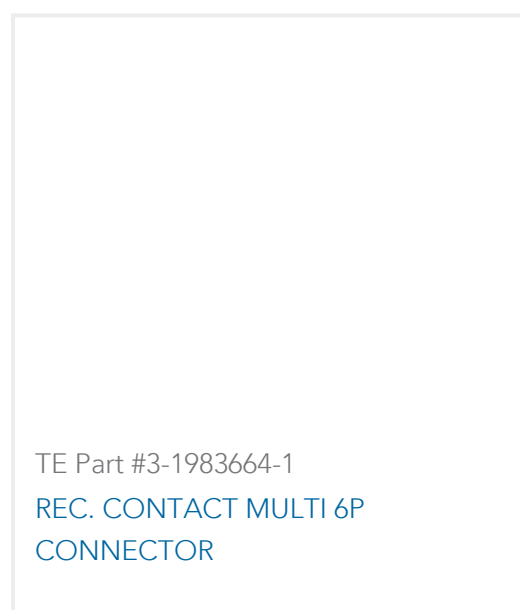
TE Part #1969609-2  
2P VAL-U-LOK TPA 26-22 AWG



TE Part #3-1983665-1  
1 POS DOUBLE LOCK PLATE MULTI  
6P CONNECT



TE Part #3-1971882-1  
2P HOUSING(HIGH VOLTAGE) MULTI  
6P CONNE



TE Part #3-1983664-1  
REC. CONTACT MULTI 6P  
CONNECTOR

## Documents

### Product Drawings

[110 FASTON,REC.,24-20 AWG,TPBR](#)

English

### CAD Files

[3D PDF](#)

3D

Customer View Model

[ENG\\_CVM\\_CVM\\_170056-2\\_AC.2d\\_dxf.zip](#)

English

Customer View Model

[ENG\\_CVM\\_CVM\\_170056-2\\_AC.3d\\_igs.zip](#)

English

Customer View Model

[ENG\\_CVM\\_CVM\\_170056-2\\_AC.3d\\_stp.zip](#)

English

By downloading the CAD file I accept and agree to the [Terms and Conditions](#) of use.

### Product Specifications



### Application Specification

English

---

### Agency Approvals

#### UL Report

English