

D-SCE-1K-6.4-50-S2-4 ✓ ACTIVE

TE Internal #: 1671350001

Ladder, Fluid Resistant, 3:1, Yellow, 2 Prescores, 3 Markers per Sleeve, 16.94 mm [.667 in] Length, 6.4 mm [.25 in] Expanded Inside, Printable Tubing

[View on TE.com >](#)



Identification & Labeling > Printable Tubing > D-SCE Fluid Resistant Sleeves



Printable Tubing Type: **Ladder**

Printable Tubing Grade: **Fluid Resistant**

Shrink Ratio: **3:1**

Primary Product Color: **Yellow**

Number of Prescores: **2**

[All D-SCE Fluid Resistant Sleeves \(65\)](#)

Features

Printer/Label Features

Printer Technology	Thermal Transfer
Number of Prescores	2

Product Type Features

Printable Tubing Type	Ladder
Printable Tubing Grade	Fluid Resistant

Body Features

Shrink Ratio	3:1
Primary Product Color	Yellow
Markers per Sleeve	3

Dimensions

Product Length	16.94 mm[.667 in]
Expanded Inside Diameter (Min)	6.4 mm[.25 in]
Recovered Inside Diameter (Max)	2.1 mm[.08 in]
Compatible Cable Diameter Range	2.31 – 5.46 mm[.091 – .215 in]

Usage Conditions

Operating Temperature Range	-75 – 135 °C[-103 – 275 °F]
-----------------------------	-----------------------------

Other



EU RoHS Compliance	Compliant
EU ELV Compliance	Compliant

Product Compliance

[For compliance documentation, visit the product page on TE.com>](#)

EU RoHS Directive 2011/65/EU	Compliant
EU ELV Directive 2000/53/EC	Compliant
China RoHS 2 Directive MIIT Order No 32, 2016	No Restricted Materials Above Threshold
EU REACH Regulation (EC) No. 1907/2006	Current ECHA Candidate List: JUNE 2024 (241) Candidate List Declared Against: JUNE 2024 (241) Does not contain REACH SVHC
Halogen Content	Not Low Halogen - contains Br or Cl > 900 ppm.
Solder Process Capability	Not applicable for solder process capability

Product Compliance Disclaimer

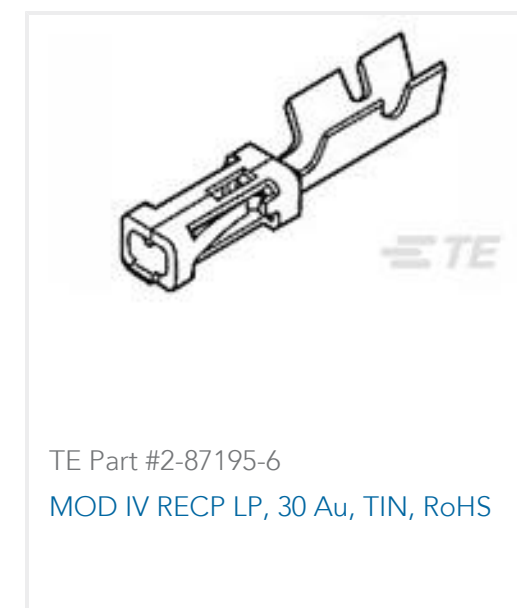
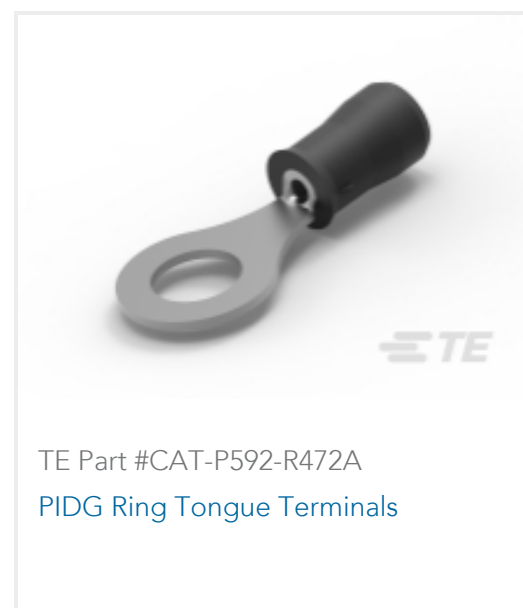
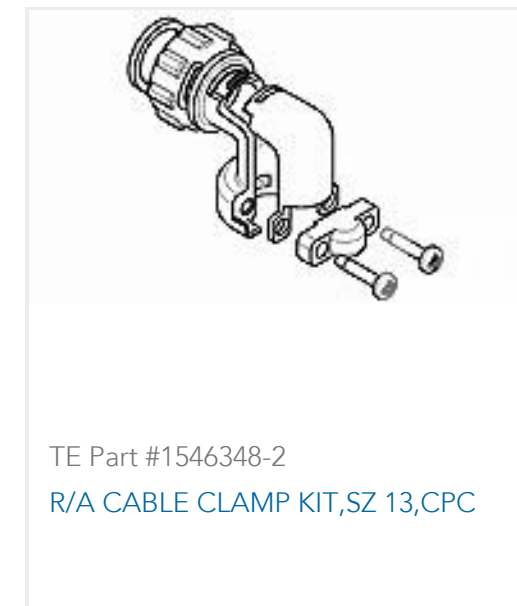
This information is provided based on reasonable inquiry of our suppliers and represents our current actual knowledge based on the information they provided. This information is subject to change. The part numbers that TE has identified as EU RoHS compliant have a maximum concentration of 0.1% by weight in homogenous materials for lead, hexavalent chromium, mercury, PBB, PBDE, DBP, BBP, DEHP, DIBP, and 0.01% for cadmium, or qualify for an exemption to these limits as defined in the Annexes of Directive 2011/65/EU (RoHS2). Finished electrical and electronic equipment products will be CE marked as required by Directive 2011/65/EU. Components may not be CE marked. Additionally, the part numbers that TE has identified as EU ELV compliant have a maximum concentration of 0.1% by weight in homogenous materials for lead, hexavalent chromium, and mercury, and 0.01% for cadmium, or qualify for an exemption to these limits as defined in the Annexes of Directive 2000/53/EC (ELV). Regarding the REACH Regulation, the information TE provides on SVHC in articles for this part number is based on the latest European Chemicals Agency (ECHA) 'Guidance on requirements for substances in articles' posted at this URL: <https://echa.europa.eu/guidance-documents/guidance-on-reach>

Compatible Parts





Customers Also Bought



Documents

Datasheets & Catalog Pages

[D-SCE Heat Shrink Identification Sleeves](#)

English

Product Specifications

[Product Specification](#)

English

[IDENTIFICATION PRINTER PRODUCT RIBBON MATRIX](#)

English

Instruction Sheets

[Instruction Sheet \(non U.S.\)](#)

English