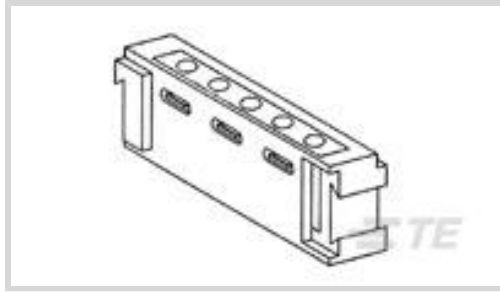


1648464-1 ✓ ACTIVE

TE Internal #: 1648464-1

TE Internal Description: 765-13-0080D=TA HSG,PIN,D MOD

[View on TE.com >](#)



Product Compliance

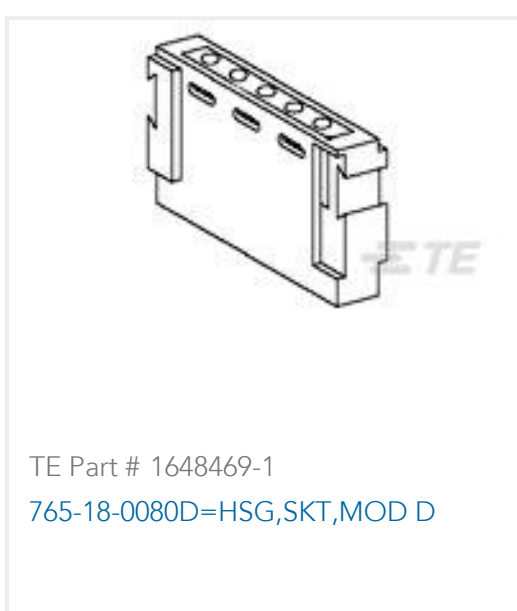
[For compliance documentation, visit the product page on TE.com>](#)

EU RoHS Directive 2011/65/EU	Compliant
EU ELV Directive 2000/53/EC	Compliant
China RoHS 2 Directive MIIT Order No 32, 2016	有害物质含量符合标准要求 No Restricted Substance(s) Above Threshold
EU REACH Regulation (EC) No. 1907/2006	Current ECHA Candidate List: JUNE 2025 (250) Candidate List Declared Against: JAN 2025 (247) Does not contain REACH SVHC
Halogen Content	Not Low Halogen - contains Br or Cl > 900 ppm.
Solder Process Capability	Not applicable for solder process capability

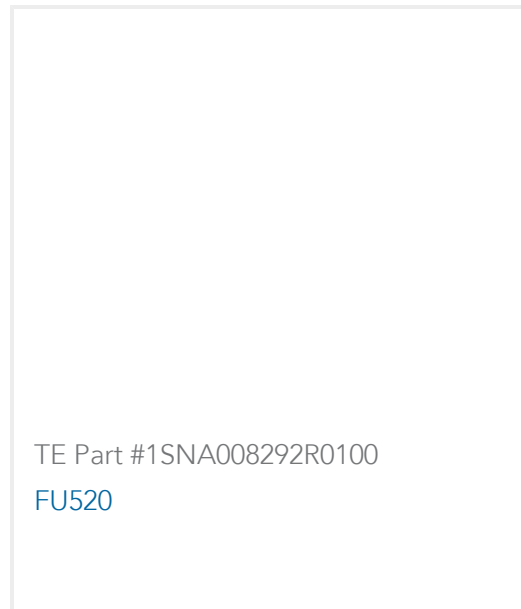
Product Compliance Disclaimer

This information is provided based on reasonable inquiry of our suppliers and represents our current actual knowledge based on the information they provided. This information is subject to change. The part numbers that TE has identified as EU RoHS compliant have a maximum concentration of 0.1% by weight in homogenous materials for lead, hexavalent chromium, mercury, PBB, PBDE, DBP, BBP, DEHP, DIBP, and 0.01% for cadmium, or qualify for an exemption to these limits as defined in the Annexes of Directive 2011/65/EU (RoHS2). Finished electrical and electronic equipment products will be CE marked as required by Directive 2011/65/EU. Components may not be CE marked. Additionally, the part numbers that TE has identified as EU ELV compliant have a maximum concentration of 0.1% by weight in homogenous materials for lead, hexavalent chromium, and mercury, and 0.01% for cadmium, or qualify for an exemption to these limits as defined in the Annexes of Directive 2000/53/EC (ELV). Regarding the REACH Regulation, the information TE provides on SVHC in articles for this part number is based on the latest European Chemicals Agency (ECHA) 'Guidance on requirements for substances in articles' posted at this URL: <https://echa.europa.eu/guidance-documents/guidance-on-reach>

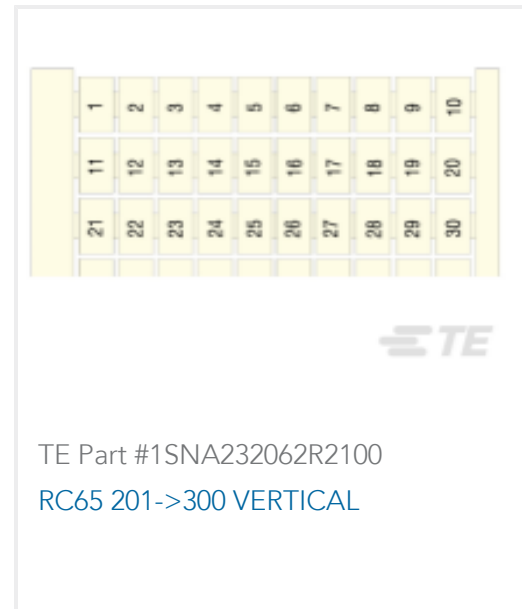
Compatible Parts



Customers Also Bought



TE Part #1SNA008292R0100
FU520



TE Part #1SNA232062R2100
RC65 201->300 VERTICAL



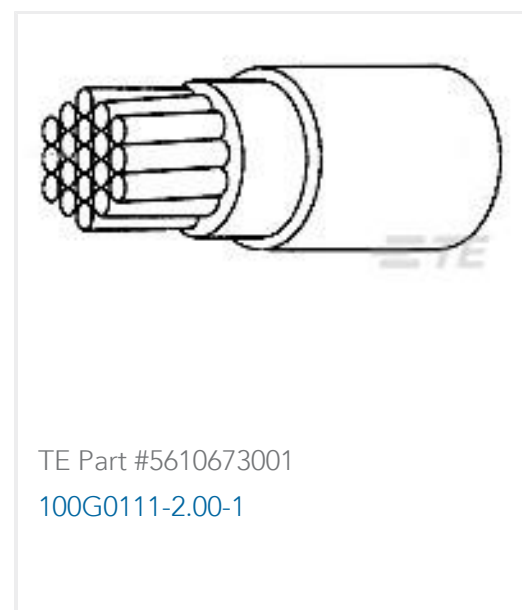
TE Part #CAT-T3437-H99
HX-SCE Low Fire Hazard Sleeves



TE Part #1SNA179668R2000
BJMI6D-2



TE Part #1SNA115166R1100
M4/6.D1



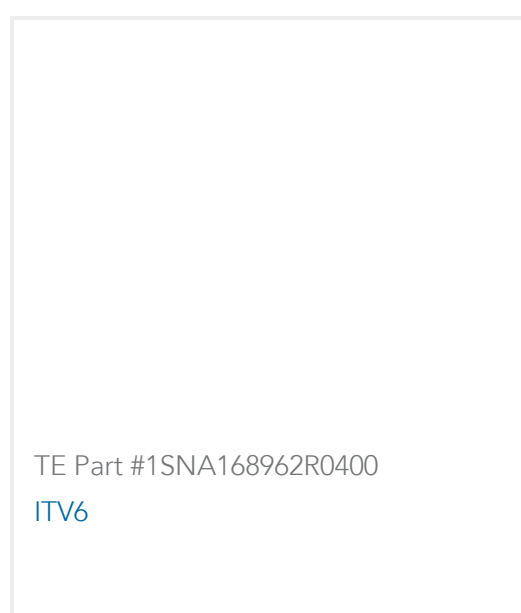
TE Part #5610673001
100G0111-2.00-1



TE Part #1-794610-2
MICRO MNL RPT CNT,LS PC 30AU L



TE Part #1445022-2
MICRO MNL RECEPT HSG SINGLE R



TE Part #1SNA168962R0400
ITV6

Documents

Product Drawings

765-13-0080D=TA HSG,PIN,D MOD

English

CAD Files

Customer View Model

[ENG_CVM_CVM_1648464-1_B.2d_dxf.zip](#)

English

3D PDF

3D

Customer View Model

[ENG_CVM_CVM_1648464-1_B.3d_igs.zip](#)

English

Customer View Model

[ENG_CVM_CVM_1648464-1_B.3d_stp.zip](#)

English

By downloading the CAD file I accept and agree to the [Terms and Conditions](#) of use.



Datasheets & Catalog Pages

[POWER_CONNECTORS_CATALOG_SEC02_CABLE_MOUNTED](#)

English

Product Specifications

[Product Specification](#)

English