

1645694-1 ✓ ACTIVE



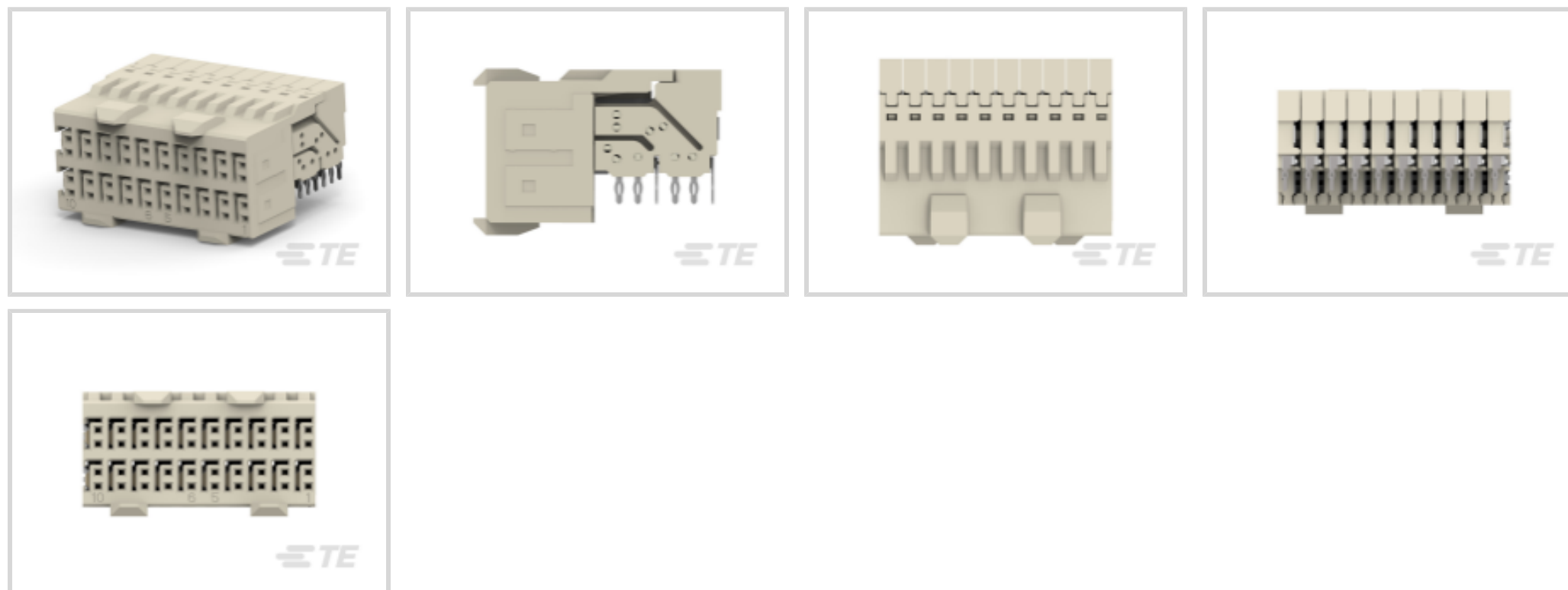
Z-PACK | Z-PACK HM-Zd

TE Internal #: 1645694-1

40 Position High Speed Backplane Connector, 4 Row, 10 Column,
PCB Mount Receptacle, Right Angle, Fully Shrouded, Z-PACK HM-
Zd

[View on TE.com >](#)

Connectors > PCB Connectors > Backplane Connectors > High Speed Backplane Connectors



Number of Positions: 40

Row-to-Row Spacing: 1.5 mm [.059 in]

Mating Alignment: **With**

Mating Alignment Type: **Polarization**

Number of Rows: 4

Features

Electrical Characteristics

Operating Voltage	250 VAC
-------------------	---------

Industry Standards

UL Flammability Rating	UL 94V-0
------------------------	----------

Termination Features

Termination Method to PCB	Through Hole - Press-Fit
---------------------------	--------------------------

Termination Post & Tail Length	2.2 mm[.086 in]
--------------------------------	-----------------

Body Features

Shield Material	Phosphor Bronze
-----------------	-----------------

Primary Product Color	Gray
-----------------------	------

Packaging Features

Packaging Method	Tube
------------------	------

Contact Features

Contact Mating Area Plating Material Thickness	.076 μm [3 μin]
------------------------------------------------	----------------------------------------



Contact Layout	Matrix
Contact Mating Area Plating Material	Gold
Contact Base Material	Copper Nickel Silicon
Contact Type	Receptacle
Contact Current Rating (Max)	.7 A

Housing Features

Housing Material	Polyester - GF
Centerline (Pitch)	2.5 mm[.098 in]

Product Type Features

Connector & Contact Terminates To	Printed Circuit Board
Connector System	Board-to-Board
PCB Connector Assembly Type	PCB Mount Receptacle
Shroud Style	Fully Shrouded

Dimensions

Connector Width	18.9 mm[.744 in]
Connector Height	11.35 mm[.446 in]
Connector Length	24.95 mm[.988 in]
Row-to-Row Spacing	1.5 mm[.059 in]

Configuration Features

Number of Pairs	20
Number of Ground Positions	20
Number of Signal Positions	40
Pairs per Column	2
Number of Positions	40
Number of Rows	4
Number of Columns	10
PCB Mount Orientation	Right Angle
Guide Location	Unguided

Mechanical Attachment

Mating Alignment	With
Mating Alignment Type	Polarization
Connector Mounting Type	Board Mount



Usage Conditions

Operating Temperature Range	-65 – 105 °C[-85 – 221 °F]
-----------------------------	----------------------------

Operation/Application

Circuit Application	Signal
---------------------	--------

Other

EU RoHS Compliance	Compliant
EU ELV Compliance	Compliant

Product Compliance

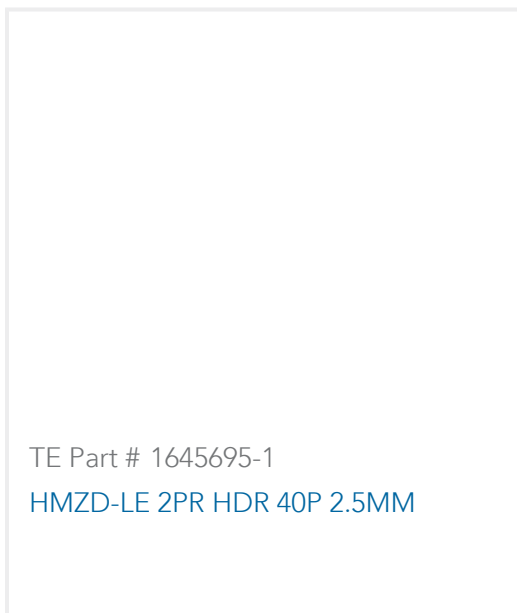
[For compliance documentation, visit the product page on TE.com>](#)

EU RoHS Directive 2011/65/EU	Compliant
EU ELV Directive 2000/53/EC	Compliant
China RoHS 2 Directive MIIT Order No 32, 2016	No Restricted Materials Above Threshold
EU REACH Regulation (EC) No. 1907/2006	Current ECHA Candidate List: JUNE 2024 (241) Candidate List Declared Against: JUNE 2024 (241) Does not contain REACH SVHC
Halogen Content	Low Halogen - Br, Cl, F, I < 900 ppm per homogenous material. Also BFR/CFR/PVC Free
Solder Process Capability	Not reviewed for solder process capability

Product Compliance Disclaimer

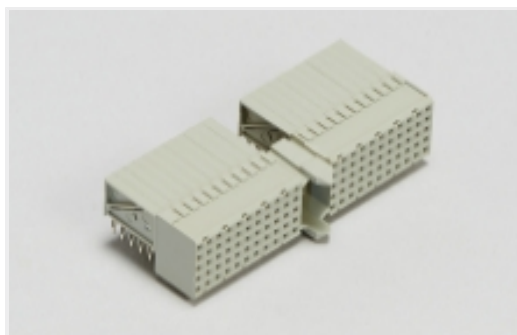
This information is provided based on reasonable inquiry of our suppliers and represents our current actual knowledge based on the information they provided. This information is subject to change. The part numbers that TE has identified as EU RoHS compliant have a maximum concentration of 0.1% by weight in homogenous materials for lead, hexavalent chromium, mercury, PBB, PBDE, DBP, BBP, DEHP, DIBP, and 0.01% for cadmium, or qualify for an exemption to these limits as defined in the Annexes of Directive 2011/65/EU (RoHS2). Finished electrical and electronic equipment products will be CE marked as required by Directive 2011/65/EU. Components may not be CE marked. Additionally, the part numbers that TE has identified as EU ELV compliant have a maximum concentration of 0.1% by weight in homogenous materials for lead, hexavalent chromium, and mercury, and 0.01% for cadmium, or qualify for an exemption to these limits as defined in the Annexes of Directive 2000/53/EC (ELV). Regarding the REACH Regulation, the information TE provides on SVHC in articles for this part number is based on the latest European Chemicals Agency (ECHA) 'Guidance on requirements for substances in articles' posted at this URL: <https://echa.europa.eu/guidance-documents/guidance-on-reach>

Compatible Parts

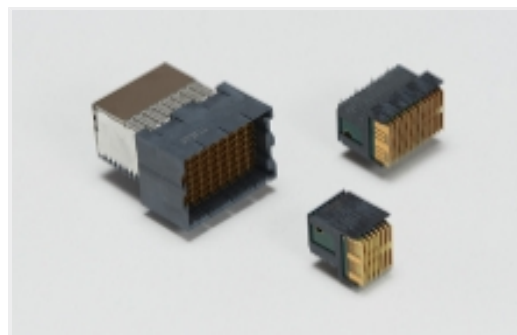


TE Part # 1645695-1
HMZD-LE 2PR HDR 40P 2.5MM

Also in the Series | Z-PACK HM-Zd



Hard Metric Backplane Connectors(1)

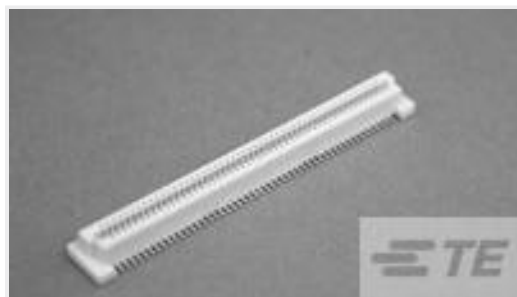


High Speed Backplane Connectors(46)



Insertion & Extraction Tools(1)

Customers Also Bought



TE Part #1735482-4
0.8FH,R17H.5,100,08/Sn,TR,SC



TE Part #4-2176230-7
3522 5K6 5% 3W



TE Part #8-1879160-5
RN 0805 8R66 0.1% 10PPM 1K RL



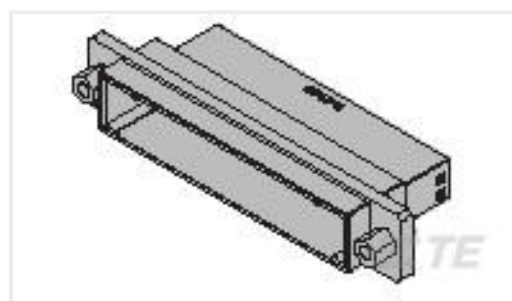
TE Part #1735482-3
0.8FH,R17H.5,080,08/Sn,TR,SC



TE Part #9-1734774-3
PCI EXP 2.3L 64 POS BLK 30u"



TE Part #8-1622796-9
YR1 0.1% 191K



TE Part #1376073-2
DYNAMIC D-2000 TAB ASSY 50P



TE Part #50865
SOCKET,MIN-SPR AU SER-4



TE Part #1-1879208-4
CPF 0402 36R 0.1% 25PPM 1K RL



TE Part #861647-6
RECPT FLANGED H.V. 7 CONTACTS



Documents

Product Drawings

[HM-ZD LITE 2PR RECP 40P](#)

English

CAD Files

[3D PDF](#)

3D

Customer View Model

[ENG_CVM_CVM_1645694-1_B.2d_dxf.zip](#)

English

Customer View Model

[ENG_CVM_CVM_1645694-1_B.3d_igs.zip](#)

English

Customer View Model

[ENG_CVM_CVM_1645694-1_B.3d_stp.zip](#)

English

By downloading the CAD file I accept and agree to the [Terms and Conditions](#) of use.

Product Specifications

[Application Specification](#)

English