



Alcoswitch

TE Internal #: 1634202-3

Power Rocker Switch, Panel Mount, 30.2 x 11.2 mm [1.19 x 441 in]

Panel Cutout, Silver Tin Oxide Contact Plating, No Indicator

[View on TE.com >](#)

Switches > Rocker Switches



Switch Type: **Power Rocker Switch**

Product Mount Type: **Panel Mount**

Indicator/Imprint Legend: **○ -**

Panel Cutout Size: **30.2 x 11.2 mm [1.19 x 441 in]**

Switch Contact Plating Material: **Silver Tin Oxide**

Features

Industry Standards

Compatible With Agency/Standards Products	VDE
---	-----

Housing Features

Process Sealed	No
----------------	----

Body Features

Case Color	Black
Product Orientation	Vertical
Actuator Color	Black

Contact Features

Terminal Tab Width	6.35 mm[.25 in]
Switch Contact Plating Material	Silver Tin Oxide

Product Type Features

Switch Type	Power Rocker Switch
Actuator Type	Top
Actuator Style	Rocker



Switch Connection Type

Quick Connect Terminal

Mechanical Attachment

Product Mount Type

Panel Mount

Configuration Features

Indicator/Imprint Legend

O -

Panel Cutout Size

30.2 x 11.2 mm[1.19 x 441 in]

Configuration (Pole-Throw)

Single Pole - Single Throw

Operating Function

On Off

Operation/Application

Indicator Type

No Indicator

Electrical Characteristics

Contact Current Rating

10 A

Operating Voltage Range

250 VAC, 125 VAC

Other

EU RoHS Compliance

Compliant

EU ELV Compliance

Compliant

Product Compliance

[For compliance documentation, visit the product page on TE.com>](#)

EU RoHS Directive 2011/65/EU

Compliant

EU ELV Directive 2000/53/EC

Compliant

China RoHS 2 Directive MIIT Order No 32, 2016

No Restricted Materials Above Threshold

EU REACH Regulation (EC) No. 1907/2006

Current ECHA Candidate List: JUNE 2024 (241)

Candidate List Declared Against: JUNE 2024 (241)

SVHC > Threshold:

UV-329 (1% in Component Part)

Article Safe Usage Statements:

Wash thoroughly after handling. Do not handle until all safety precautions have been read and understood. Recycle if possible and dispose of the article by following all applicable governmental regulations relevant to your geographic location.

Halogen Content

Low Halogen - Br, Cl, F, I < 900 ppm per homogenous material. Also BFR/CFR/PVC Free

Solder Process Capability

Not applicable for solder process capability

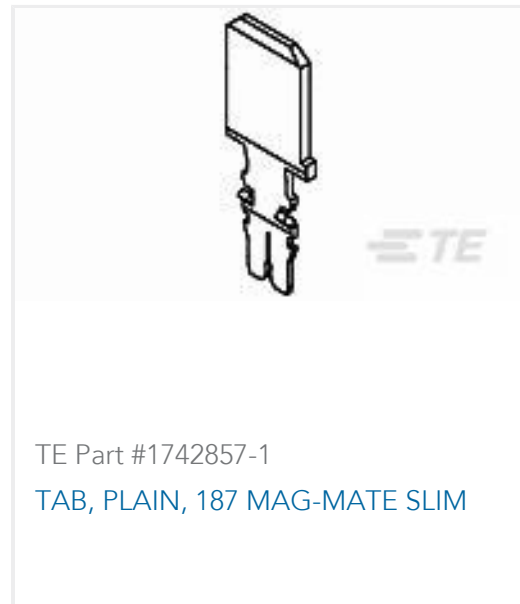
Product Compliance Disclaimer

This information is provided based on reasonable inquiry of our suppliers and represents our current actual knowledge based on the information they provided. This information is subject to change. The part numbers that TE has identified as EU RoHS compliant have a maximum concentration of 0.1% by weight in homogenous materials for lead, hexavalent chromium, mercury, PBB, PBDE, DBP, BBP, DEHP, DIBP, and 0.01% for cadmium, or qualify for an exemption to these limits as defined in the Annexes of Directive 2011/65/EU (RoHS2). Finished electrical and electronic equipment products will be CE marked as required by Directive 2011/65/EU. Components may not be CE marked. Additionally, the part numbers that TE has identified as EU ELV compliant have a maximum concentration of 0.1% by weight in homogenous materials for lead, hexavalent chromium, and mercury, and 0.01% for cadmium, or qualify for an exemption to these limits as defined in the Annexes of Directive 2000/53/EC (ELV). Regarding the REACH Regulation, the information TE provides on SVHC in articles for this part number is based on the latest European Chemicals Agency (ECHA) 'Guidance on requirements for substances in articles' posted at this URL: <https://echa.europa.eu/guidance-documents/guidance-on-reach>

Compatible Parts



Customers Also Bought





Documents

Product Drawings

[PRGSA1-16F-BB0BW](#)

English

CAD Files

[3D PDF](#)

3D

Customer View Model

[ENG_CVM_CVM_1634202-3_F.2d_dxf.zip](#)

English

Customer View Model

[ENG_CVM_CVM_1634202-3_F.3d_igs.zip](#)

English

Customer View Model

[ENG_CVM_CVM_1634202-3_F.3d_stp.zip](#)

English

By downloading the CAD file I accept and agree to the [Terms and Conditions](#) of use.

Datasheets & Catalog Pages

[SWITCHES_CORE_PROGRAM_CATALOG](#)

English