

163092-1 ✓ ACTIVE

AMP | AMP Type III+

TE Internal #: 163092-1

Socket Contact, Tin, Size 16 Contact Size, 26 – 24 AWG, .12 – .2 mm² Wire, Crimp, Brass, Power & Signal, -55 – 90 °C [-67 – 194 °F], AMP Type III+

[View on TE.com >](#)



Connectors > Contacts > Connector Contacts



Contact Type: **Socket**

Contact Mating Area Plating Material: **Tin**

Wire Contact Termination Area Plating Material: **Tin**

Contact Retention Within Housing: **With**

Contact Size: **Size 16**

Features

Product Type Features

Discrete Wire Type	Stranded
--------------------	----------

Mechanical Attachment

Wire Insulation Support	With
-------------------------	------

Packaging Features

Packaging Quantity	200
Packaging Method	Loose Piece, Bag

Dimensions

Compatible Insulation Diameter Range	.89 – 1.4 mm [.035 – .055 in]
Wire Size	.12 – .2 mm ²

Contact Features

Contact Underplating Material	Nickel
Contact Orientation	Straight
Mating Pin Diameter	1.57 mm [.062 in]



Contact Underplating Material Thickness	1.27 µm[50 µin]
Contact Mating Area Plating Material Thickness	2.03 µm[80 µin]
Wire Contact Termination Area Plating Material Finish	Bright
Wire Contact Termination Area Plating Thickness	2.03 µm[80 µin]
Contact Mating Area Plating Material Finish	Bright
Contact Type	Socket
Contact Mating Area Plating Material	Tin
Wire Contact Termination Area Plating Material	Tin
Contact Retention Within Housing	With
Contact Size	Size 16
Contact Base Material	Brass
Contact Current Rating (Max)	13 A

Termination Features

Termination Method to Wire & Cable	Crimp
Product Terminates To	Wire & Cable

Usage Conditions

Operating Temperature Range	-55 – 90 °C[-67 – 194 °F]
-----------------------------	---------------------------

Operation/Application

Circuit Application	Power & Signal
---------------------	----------------

Other

EU RoHS Compliance	Compliant
EU ELV Compliance	Compliant

Product Compliance

[For compliance documentation, visit the product page on TE.com>](#)

EU RoHS Directive 2011/65/EU	Compliant
EU ELV Directive 2000/53/EC	Compliant
China RoHS 2 Directive MIIT Order No 32, 2016	No Restricted Materials Above Threshold
EU REACH Regulation (EC) No. 1907/2006	Current ECHA Candidate List: JUNE 2024 (241) Candidate List Declared Against: JUNE 2024 (241) Does not contain REACH SVHC
Halogen Content	Low Halogen - Br, Cl, F, I < 900 ppm per



homogenous material. Also BFR/CFR/PVC Free

Solder Process Capability

Not applicable for solder process capability

Product Compliance Disclaimer

This information is provided based on reasonable inquiry of our suppliers and represents our current actual knowledge based on the information they provided. This information is subject to change. The part numbers that TE has identified as EU RoHS compliant have a maximum concentration of 0.1% by weight in homogenous materials for lead, hexavalent chromium, mercury, PBB, PBDE, DBP, BBP, DEHP, DIBP, and 0.01% for cadmium, or qualify for an exemption to these limits as defined in the Annexes of Directive 2011/65/EU (RoHS2). Finished electrical and electronic equipment products will be CE marked as required by Directive 2011/65/EU. Components may not be CE marked. Additionally, the part numbers that TE has identified as EU ELV compliant have a maximum concentration of 0.1% by weight in homogenous materials for lead, hexavalent chromium, and mercury, and 0.01% for cadmium, or qualify for an exemption to these limits as defined in the Annexes of Directive 2000/53/EC (ELV). Regarding the REACH Regulation, the information TE provides on SVHC in articles for this part number is based on the latest European Chemicals Agency (ECHA) 'Guidance on requirements for substances in articles' posted at this URL: <https://echa.europa.eu/guidance-documents/guidance-on-reach>

Compatible Parts



TE Part # 539972-1
EXTRACTION TOOL



TE Part # 91515-1
CCII TYPE III+ MNL PIN SKT 30-20 ASSY



TE Part # 58495-2
PROCRIMPER DIE ASSY MULTIMATE



TE Part # 200893-2
INSERTION TOOL CONT



TE Part # 169400
CERTI-LOK FRAME W/O DIES



TE Part # 305183
EXTRACT TOOL TYPE 2 20-16



TE Part # 2384426-1
SDE F TYPE III+ 0.56-0.12mm² ASSY



TE Part # 2384426-2
SDE F TYPE III+ 0.56-0.12mm² DIE SET

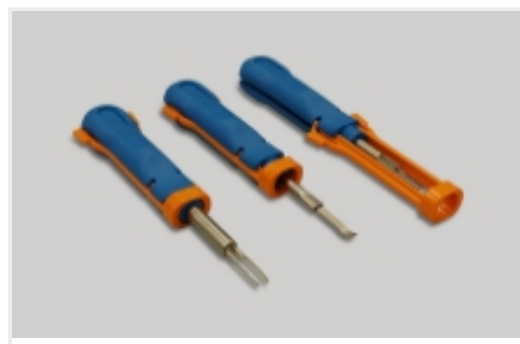


TE Part # 58495-1
PRO CRIMPER ASSY MULTIMATE

Also in the Series | **AMP Type III+**



Connector Contacts(397)



Insertion & Extraction Tools(4)



Power Contacts(397)

Customers Also Bought



TE Part #1623440-1
CRG1206 1% 1K0



TE Part #54010-1
CPC STRAIN RELIEF,SIZE 11



TE Part #1623403-1
CRG1206 1% 100R



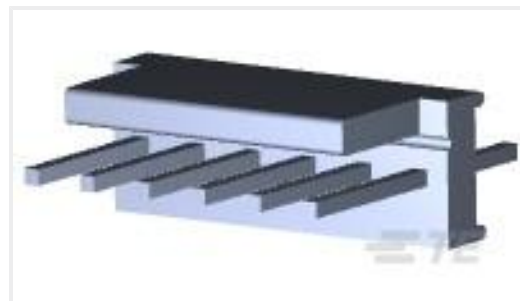
TE Part #1623460-1
CRG1206 1% 220R



TE Part #934922-000
RMW-75/22-1200/ADH-0



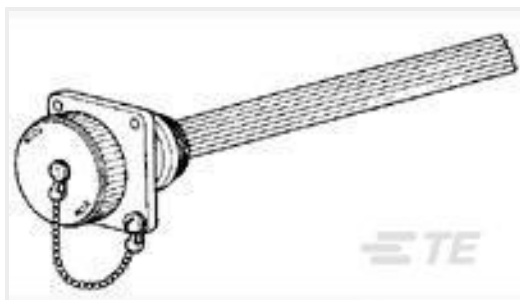
TE Part #1623417-1
CRG1206 1% 12K



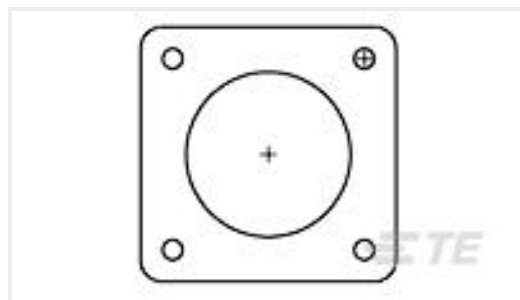
TE Part #640454-6
06P MTA100 HDR ASSY SQ STR POL



TE Part #1623197-1
CRG0805 1% 33K



TE Part #208800-1
SEALING CAP ASSY,SZ 11,CPC



TE Part #81665-3
ECONOSEAL, FLANGE GASKET

Documents

Product Drawings

062 SOC.ASS. TYP3+

English

062 SOC.ASS. TYP3+

English

CAD Files

3D PDF

3D



Customer View Model

[ENG_CVM_CVM_163092-1_Y.2d_dxf.zip](#)

English

Customer View Model

[ENG_CVM_CVM_163092-1_Y.3d_igs.zip](#)

English

Customer View Model

[ENG_CVM_CVM_163092-1_Y.3d_stp.zip](#)

English

By downloading the CAD file I accept and agree to the [Terms and Conditions](#) of use.

Product Specifications

[Product Specification](#)

English