



Passive Components > Resistors > Surface Mount Resistors



Resistor Type: **General Purpose Resistor**

Element Type: **Thick Film**

Package Size Code: **0805**

Power Rating: **.125 W**

Passive Component Tolerance: **5 %**

Features

Product Type Features

Resistor Type	General Purpose Resistor
Element Type	Thick Film
Package Size Code	0805

Electrical Characteristics

Power Rating	.125 W
Passive Component Tolerance	5 %

Termination Features

Surface Mount Resistor Termination Type	Solder
---	--------

Dimensions

Product Height	45 mm[1.17 in]
Product Length	320 mm[12.6 in]
Product Width	260 mm[10.24 in]

Usage Conditions

Temperature Coefficient	±100 ppm/°C
-------------------------	-------------

Packaging Features

Packaging Method	Folder
------------------	--------

Product Compliance

[For compliance documentation, visit the product page on TE.com>](#)

EU RoHS Directive 2011/65/EU	Compliant with Exemptions
EU ELV Directive 2000/53/EC	Compliant
China RoHS 2 Directive MIIT Order No 32, 2016	有害物质含量超出标准 Restricted Substance(s) Above Threshold
EU REACH Regulation (EC) No. 1907/2006	Current ECHA Candidate List: JUNE 2025 (250) Candidate List Declared Against: JAN 2025 (247) Does not contain REACH SVHC
Halogen Content	Low Halogen - Br, Cl, F < 900 ppm per homogenous material. Also BFR/CFR/PVC Free
Solder Process Capability	Reflow solder capable to 260 $^{\circ}$ C

Product Compliance Disclaimer

This information is provided based on reasonable inquiry of our suppliers and represents our current actual knowledge based on the information they provided. This information is subject to change. The part numbers that TE has identified as EU RoHS compliant have a maximum concentration of 0.1% by weight in homogenous materials for lead, hexavalent chromium, mercury, PBB, PBDE, DBP, BBP, DEHP, DIBP, and 0.01% for cadmium, or qualify for an exemption to these limits as defined in the Annexes of Directive 2011/65/EU (RoHS2). Finished electrical and electronic equipment products will be CE marked as required by Directive 2011/65/EU. Components may not be CE marked. Additionally, the part numbers that TE has identified as EU ELV compliant have a maximum concentration of 0.1% by weight in homogenous materials for lead, hexavalent chromium, and mercury, and 0.01% for cadmium, or qualify for an exemption to these limits as defined in the Annexes of Directive 2000/53/EC (ELV). Regarding the REACH Regulation, the information TE provides on SVHC in articles for this part number is based on the latest European Chemicals Agency (ECHA) 'Guidance on requirements for substances in articles' posted at this URL: <https://echa.europa.eu/guidance-documents/guidance-on-reach>

Compatible Parts






TE Part # 1625873-6
1206 LAB-KIT



TE Part # 1625873-9
CFR50 LAB-KIT



TE Part # 1-1625873-1
LR1 LAB-KIT



TE Part # 1-1625873-6
3521 10R-1M0 LAB KIT



TE Part # 1625873-8
CFR25 LAB-KIT



TE Part # 1625873-7
CFR16 LAB-KIT



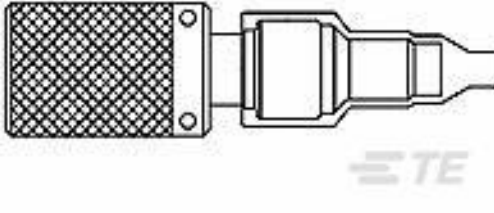
TE Part # 1-1625873-4
0402 1% LAB-KIT

Also in the Series | **NEOHM CRG**



Surface Mount Resistors(615)

Customers Also Bought



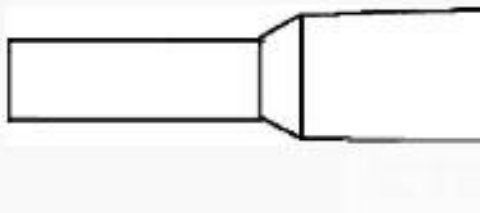
TE Part #902973-000
DK-621-0411-P



TE Part #T4113012081-000
M12 M, 8P GOLD A_CODE RA SHIELDED PG9



TE Part #342063
16-14 H.D.R/T 1/4" STUD BLACK



TE Part #966144-1
FER,WIRE,DBL,PL SLV,.50/20,L8, WHITE,LP



TE Part #3-1623933-4
CFR50 5% 4K7



TE Part #5-1746530-4
SEMI-HARD TRAY DDR2 SODIMM 6.5 H STD(HSG)



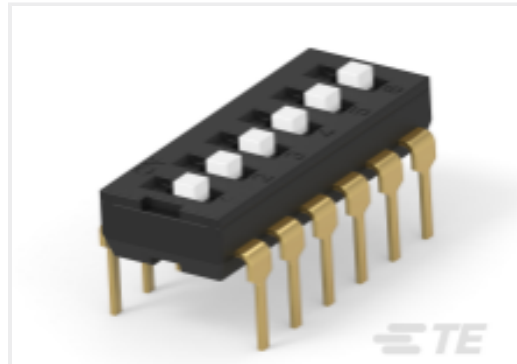
TE Part #5-1825136-5
A101TZQ04



TE Part #2148999-4
RF CA,UMCC GEN1,1.13MM,L200MM STRIPPED



TE Part #2176232-9
3522 300K 1% 3W



TE Part #2454982-4
ADE Next Gen. 06 Pos. THS TU

Documents

Product Drawings

[0805 LAB-KIT](#)

English

[0805 LAB-KIT](#)

English

CAD Files

[3D PDF](#)

3D

Customer View Model

[ENG_CVM_CVM_1625873-5_BB.2d_dxf.zip](#)

English

Customer View Model

[ENG_CVM_CVM_1625873-5_BB.3d_igs.zip](#)

English

Customer View Model

[ENG_CVM_CVM_1625873-5_BB.3d_stp.zip](#)

English

By downloading the CAD file I accept and agree to the [Terms and Conditions](#) of use.

Datasheets & Catalog Pages

[1309350_PASSIVE_COMPONENT](#)

English