



Passive Components > Resistors > Surface Mount Resistors



Resistor Type: **General Purpose Resistor**

Element Type: **Thick Film**

Package Size Code: **0603**

Power Rating: **.1 W**

Passive Component Tolerance: **1 %**

Features

Product Type Features

Resistor Type	General Purpose Resistor
Element Type	Thick Film
Package Size Code	0603

Electrical Characteristics

Power Rating	.1 W
Passive Component Tolerance	1 %

Termination Features

Surface Mount Resistor Termination Type	Solder
---	--------

Dimensions

Product Height	45 mm[1.17 in]
Product Length	320 mm[12.6 in]
Product Width	260 mm[10.24 in]

Usage Conditions

Temperature Coefficient	± 100 ppm/ $^{\circ}$ C
-------------------------	-----------------------------

Packaging Features

Packaging Method	Folder
------------------	--------

Product Compliance

For compliance documentation, visit the product page on [TE.com](https://www.te.com)>

EU RoHS Directive 2011/65/EU	Compliant with Exemptions
EU ELV Directive 2000/53/EC	Compliant
China RoHS 2 Directive MIIT Order No 32, 2016	有害物质含量超出标准 Restricted Substance(s) Above Threshold
EU REACH Regulation (EC) No. 1907/2006	Current ECHA Candidate List: JUNE 2025 (250) Candidate List Declared Against: JUNE 2025 (250) Does not contain REACH SVHC
Halogen Content	Low Halogen - Br, Cl, F < 900 ppm per homogenous material. Also BFR/CFR/PVC Free
Solder Process Capability	Reflow solder capable to 260°C

Product Compliance Disclaimer

This information is provided based on reasonable inquiry of our suppliers and represents our current actual knowledge based on the information they provided. This information is subject to change. The part numbers that TE has identified as EU RoHS compliant have a maximum concentration of 0.1% by weight in homogenous materials for lead, hexavalent chromium, mercury, PBB, PBDE, DBP, BBP, DEHP, DIBP, and 0.01% for cadmium, or qualify for an exemption to these limits as defined in the Annexes of Directive 2011/65/EU (RoHS2). Finished electrical and electronic equipment products will be CE marked as required by Directive 2011/65/EU. Components may not be CE marked. Additionally, the part numbers that TE has identified as EU ELV compliant have a maximum concentration of 0.1% by weight in homogenous materials for lead, hexavalent chromium, and mercury, and 0.01% for cadmium, or qualify for an exemption to these limits as defined in the Annexes of Directive 2000/53/EC (ELV). Regarding the REACH Regulation, the information TE provides on SVHC in articles for this part number is based on the latest European Chemicals Agency (ECHA) 'Guidance on requirements for substances in articles' posted at this URL: <https://echa.europa.eu/guidance-documents/guidance-on-reach>

Compatible Parts





TE Part # 1625873-9
CFR50 LAB-KIT



TE Part # 1625873-4
0805 RESISTOR KITS



TE Part # 1625873-1
0402 5% LAB-KIT



TE Part # 1-1625873-2
LR2 LAB-KIT



TE Part # 1625873-7
CFR16 LAB-KIT

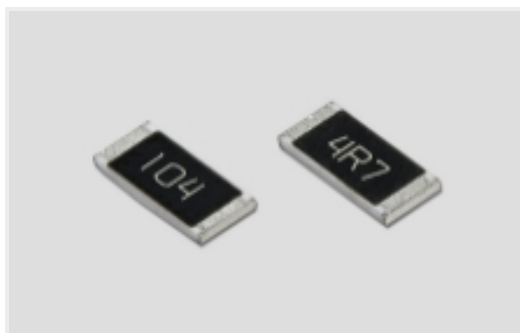


TE Part # 1625873-8
CFR25 LAB-KIT



TE Part # 1-1625873-4
0402 1% LAB-KIT

Also in the Series | **NEOHM CRG**



Surface Mount Resistors(615)

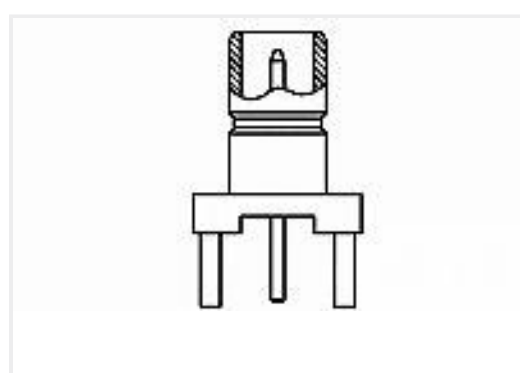
Customers Also Bought



TE Part #T4113012081-000
M12 M, 8P GOLD A_CODE RA SHIELDED PG9



TE Part #805-0050-01
805-0050-01 TO-5 Accelerometer



TE Part #415504-4
JACK,PCB,MINI-SMB VERT 75 OHM



TE Part #4-1437624-3
PKE60B1/4=KNOB PLASTIC BLK FLU



TE Part #5-1462039-8
IM02PNS=IM RELAY 140mW 4.5V



TE Part #5-1623927-0
CFR16 5% 22K



TE Part #6-1623930-6
CFR25 5% 2K2



TE Part #2329358-2
PB OFF/ON HC RED M1 TERM IP68 500MM L



Documents

Product Drawings

[0603 LAB-KIT](#)

English

[0603 LAB-KIT](#)

English

CAD Files

Customer View Model

[ENG_CVM_CVM_1625873-3_BB.2d_dxf.zip](#)

English

Customer View Model

[ENG_CVM_CVM_1625873-3_BB.3d_igs.zip](#)

English

[3D PDF](#)

3D

Customer View Model

[ENG_CVM_CVM_1625873-3_BB.3d_stp.zip](#)

English

By downloading the CAD file I accept and agree to the [Terms and Conditions](#) of use.

Datasheets & Catalog Pages

[1309350_PASSIVE_COMPONENT](#)

English